

STANDARD OVERHEAD SIGN

Projection Wall Mount

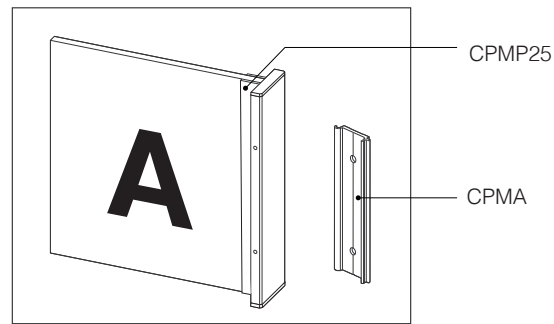
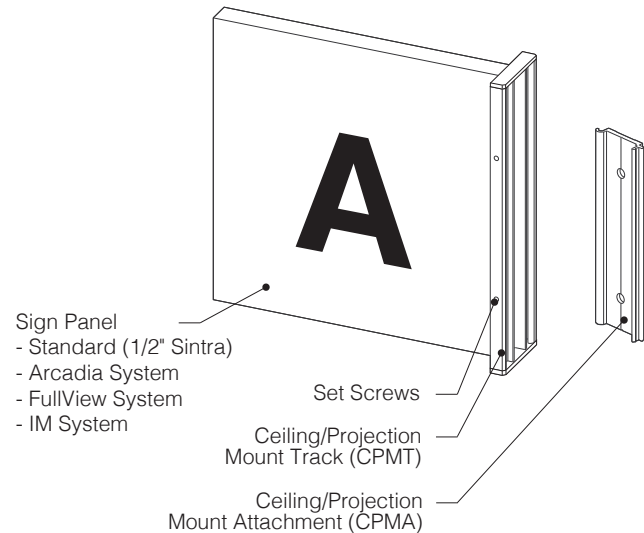
INSTALLATION INSTRUCTIONS

IMPORTANT: Before proceeding, loosely position the entire sign assembly into place so the graphics are oriented correctly. The CPMA bracket has a Side A and Side B, so it will need to remain in this same orientation for the final assembly! Take care not to reverse the sides of the CPMA during the installation process or the sign will be installed backwards.

Installation will require wall anchors suitable for existing wall construction and the size of the sign.*

1. Remove the CPMA from the sign assembly by loosening the set screws on the side of the CPMT. (Do not remove set screws).
2. Mount Attachment (CPMA) holes are predrilled. Determine sign mounting height from the project specifications and mark the location(s) on the wall as needed. Plumb level the CPMA and transfer the mounting holes to the wall. Install anchors and tighten. (see fig. 2)
3. Engage the 'hinge' edge of the CPMT in the radius area of the CPMA and rotate the sign assembly so that the CPMT and CPMA mate. (see fig. 3)
4. Make any vertical adjustment by sliding sign up or down, before tightening the set screws. Tighten the set screws and final check the assembly. (see fig. 4)

* Due to the wide range of wall conditions, mechanical fasteners or anchors are not provided by APCO unless installation is within APCO's scope of work. It is the installer's / customer's responsibility to select the most appropriate fastener for each particular sign location.



Shown here with optional 1/4" Acrylic Sign Panel

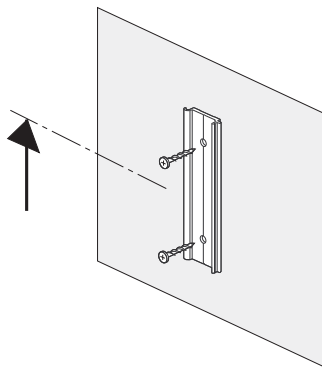


Fig. 2

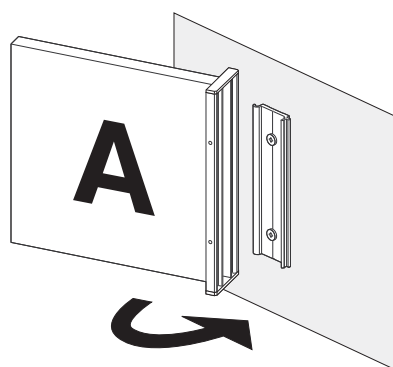


Fig. 3

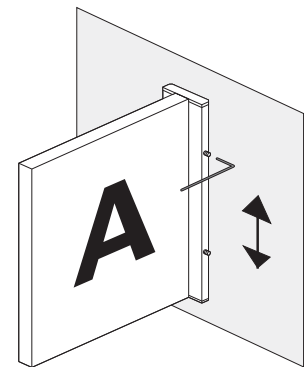


Fig. 4