



Aspire is a simple yet innovative system for securely capturing a wide range of signage and display panels.



Aspire is a 2-part extruded aluminum capture rail system with clean lines and soft radius edges.

Its flexibility allows for display panels from 1/8" (3mm) to 1/4" (6mm) thickness, including satin anodized aluminum and frosted or painted acrylic, in a rectangular or virtually any custom shape.

Although panel capture is minimal, Aspire's unique design offers a high degree of tamper resistance, without the use of any exposed fasteners. At the same time, panels can be easily removed for updating, cleaning or painting the wall surface.

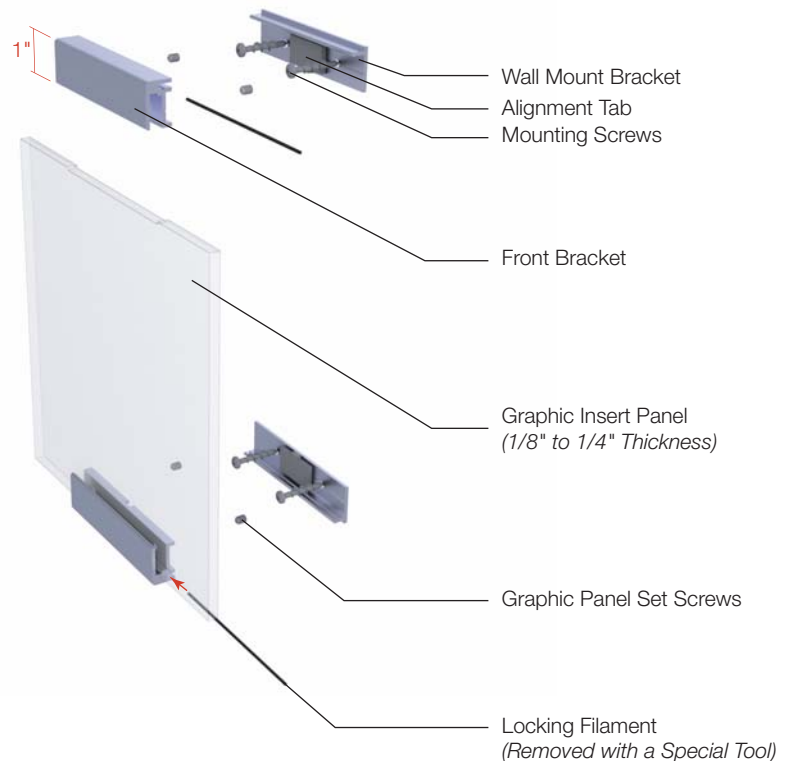
Installation and panel replacements are fast and easy, with a positive fit guaranteed. All Aspire panels are computer cut, and profiles feature a precision panel alignment detail to eliminate guess work with panel placement.

Ideal for Hospitality, Senior Living, Multi Family Housing, Corporate, Museums, and Donor Recognition.

Features

- 2 Part Extruded Aluminum Assembly
- Satin Anodized (Standard) or Painted Finish
- Approximately 5/8" Overall Depth
- Single Bottom Bracket Optional for Smaller Size Panels
- Accommodates 1/8" to 1/4" Thick Display Panels
- Rectangular (Standard) or Custom Shapes
- Tamper Resistant Yet Easily Updatable Displays
- Windows for Paper Inserts Available in Certain Sizes
- Letter, Tabloid and Personnel Signs
- Standard Panel/Display Widths: 4", 6", 8 1/2", 11", & 17"
- Concealed Fasteners

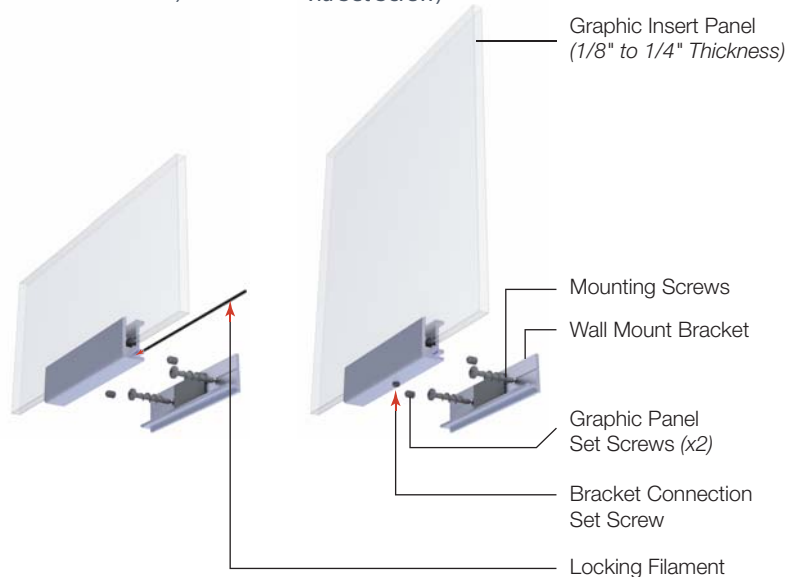
Double-Bracket Assembly



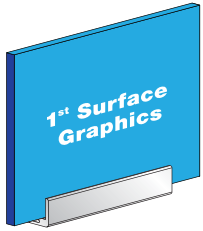
Single-Bracket Assembly

Signs Up To & Including 4"h
(Bracket Connection via Filament/Cord)

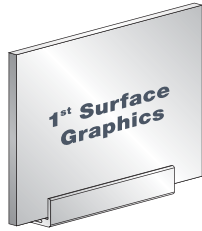
Signs Larger Than 4"h
(Bracket Connection via Set Screw)



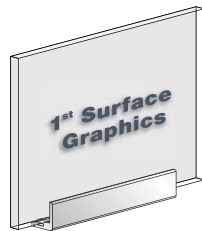
Material & Display Options



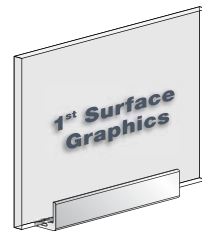
Painted Acrylic (1/4")



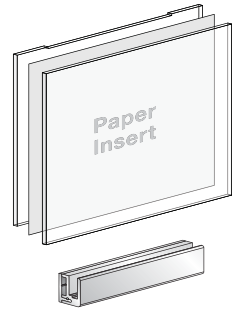
Satin Anodized Aluminum (1/8")



Frosted Acrylic (1/4")



Matte Acrylic (1/4")

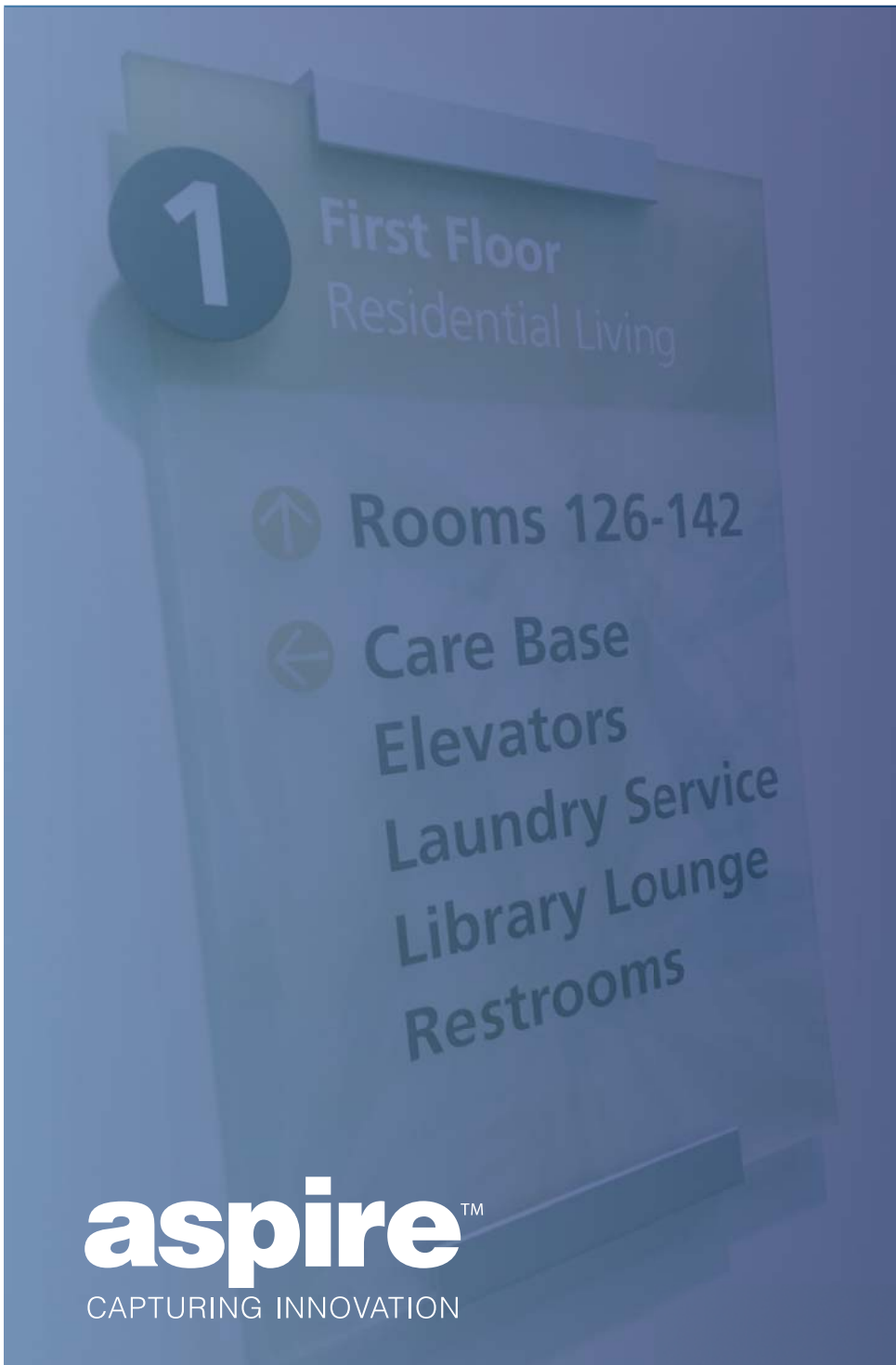


Non-Glare Acrylic Window for Paper Display (1/4")**

Graphic Options:

- Flat Bed Print Surface or Subsurface
- DP-Tactile Raised Copy & Braille





388 Grant Street, SE
Atlanta, GA 30312
Toll Free: 877-988-APCO
Email: sales@apcosigns.com

