

General Information

Visulex 2100 Series is a non-illuminated Directory and Display System designed for interior applications.

Visulex incorporates a seamless, molded fiberglass cabinet housing, with 3/16" clear lift-out acrylic cover behind which one may display Changeable Messages Strips, Maps and Floor Plans, Magnetic Bulletin Boards, or any combination.

Features

- Molded, Seamless Fiberglass
- Wall Mount Module:
 - Four Shapes - Square, Radius, Bevel, Contour
 - Two Heights - 27" & 40"
- Pylon Module:
 - Three Shapes: Square, Radius, Bevel
 - Size: 76"H. x 38 1/4"W. x 8"D.
- Removable Protective Cover
- Aluminum or Solid Brass Trim

Finishes

- FRP Housing:
 - Acrylic Polyurethane Coated (Any Color)
- Trim:
 - Acrylic Polyurethane Coated (Any Color)
 - Black, Bronze or Natural Satin Anodized Solid Brass:
 - Polished or Satin
 - Architectural Bronze (to match Alloy 280)
 - Commercial Bronze (to match Alloy 220)
 - Statuary
 - Chrome Plated Brass
- Module Graphics:
 - Screen Printed or Surface Applied Vinyl

Message Strip Display

Available in two options:

- 1 MS - Molded Plastic "IM" Strip
 - Snap-in Message Strips
 - Injection Molded to Insure Size & Color
 - Easy to Change & Always Fits
 - 150 (1/2" x 9")
 - 1100 (1" x 9")
 - Eight (8) Standard Integral Colors
- 2 SignBand Message Strips
 - SBA-IS - Aluminum SignBand with Paper Insert Slot (User Updatable)
 - SB - Aluminum SignBand

Other Display Options

- Custom Maps/Plans
- Magnetic Display Board (Any Color)

Prepaid Reorder System

- For Ease in Reordering Replacement Message Strips

Services

- Direct Factory Support
- Engineering
- Custom Shop/Detail Drawings
- CSI (Construction Specification Institute) Specifications Available
- 5 Year Limited Warranty.

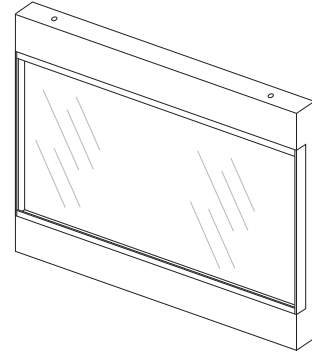


Module Configurations	3.2.102
<hr/>	
Display Configurations	3.2.103
<hr/>	
Directory - MS Message Strips	3.2.104
Directory - Accord 15® SBIS - Aluminum SignBand with Insert Slot	3.2.105
Directory - Accord 15® SB - Aluminum SignBand (<i>Optional</i>)	3.2.106
Directory - Accord 15® SBIS - Wall Mount Module Sizes with 225mm Strips	3.2.107
Directory - Accord 15® SBIS - Wall Mount Module Sizes with 300mm Strips	3.2.108
<hr/>	
Maps & Plans - 2120 Series	3.2.109
<hr/>	
Magnetic Bulletin Board - 2130 Series	3.2.110
<hr/>	
Wall Mount Module Features Module Housing Trim Protective Cover Mounting	3.2.111
<hr/>	
Wall Mount Module Graphics Module Finish Module Graphics Custom Configurations	3.2.112
<hr/>	
Pylon Module Pylon Features Display Configurations	3.2.113 - 3.2.114
<hr/>	
Technical Support	3.2.115
<hr/>	

Surface Wall Mount modules are molded fiberglass units available in 27" and 40" heights and in widths from 10" to 93-1/4". Header and bases are available in radius, bevel, square or contour shapes. Wall mount Visulex attaches to virtually any vertical surface.



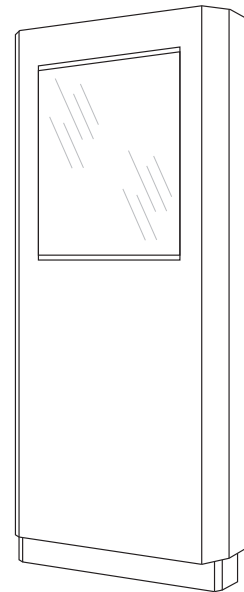
2100.1
Wall Mount Module



Pylon modules are molded fiberglass and freestanding. The 76"H. x 38"W. unit is available with radius, bevel or square end shapes and single or double sided cavities. A homogenous 4" high fiberglass skirt conceals the mounting hardware.



2100.2
Pylon Module
• *Single Sided*
• *Double Sided*



Interior Use Only

The module's fiberglass construction is suitable for both interior and exterior environments. However, the U-channel trim that the clear protective cover rests within is exposed to the elements. This trim will capture foreign objects and result in servicing difficulties.

When used as a **Directory**, Visulex features two distinct interchangeable message strip options; Molded plastic MS message strips and Accord 15® SignBands.

MS Directory - 2110.1 Series

APCO's most popular MS message strips are molded in eight standard integral colors and factory printed in virtually any typestyle and color. MS Strips are available in two sizes; I-50 (1/2" x 9") and I-100 (1" x 9") and snap-fit between column dividers. A Prepaid Reorder System is available to ensure future replacement strips match your original colors and graphics.

Accord 15® Directory - 2110.1 Series

Aluminum Accord 15® SignBands are assembled and serviced as removable column "tiles". Molded plastic multiclips fill the vertical track profiles, ensuring alignment of SignBands and SignBand columns.

SB-IS - Accord 15® Aluminum SignBand w/ Insert Slot allows for User updating of messages. Features include:

Two standard heights:

15mm (19/32") and 30mm (1-3/16") with 45, 60, 90 and 120mm available special order only

Two standard lengths:

225mm (8-7/8") and 300mm (11-13/16")

Bevel detail on top and bottom edges

Any APCO standard color or anodized finish

Prepaid Reorder System

Supplies and software shipped from stock

SB - Accord 15® Aluminum SignBands are available for screen printing of column headers, sub-headers and the like. Features include:

Two standard heights:

15mm (19/32") and 30mm (1-3/16") with 45, 60, 90 and 120mm available thru special order only

Two standard lengths:

225mm (8-7/8") and 300mm (11-13/16") with custom widths available thru special order only

Bevel detail on top and bottom edges

Any APCO standard color or anodized finish

Prepaid Reorder System

Use this product when length of message exceeds those for Molded Plastic MS Strips.

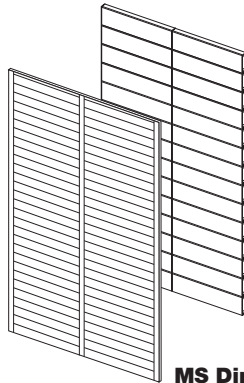
Changeable Maps and Plans - 2110.2 Series;

Graphics are screen printed or digitally laminated onto a solid substrate and magnetically fastened for easy changability.

Magnetic Bulletin Boards - 2110.3 Series;

A ferrous insert is covered with a sub-surface finished, scuff resistant vinyl. Magnetic "buttons" are provided.

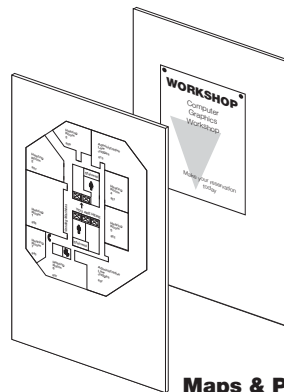
Directory Configurations



Accord 15® Directory - 2110 Series

MS Directory - 2110 Series

Other Display Configurations



Magnetic Bulletin Board - 2130 Series

Maps & Plans - 2120 Series

MS Directory - 2110.1 Series

The MS Strip is the original and most popular directory message strip option. Injection molded strips are a proven solution and offer many advantages over strip systems fabricated from plastic sheet material.

Precision molded plastic provides uniform thickness and size which insures excellent fit and alignment. Exact match of replacement strips, in both fit and color, is easy to achieve.

The strip is molded with reveals top and bottom and tabs at each end which when flexed, allows message strips to snap between molded plastic vertical dividers. Dividers are secured to a rigid back-up material, forming standard column widths.

Message copy is silkscreen printed in a broad range of typestyles and colors.

MS Strips are molded in these integral colors:

- A02** Black
- A43** Putty
- A44** Architectural Brown
- A47** Light Grey
- A71** Harvard Green
- A72** Bone White
- A74** Indy Blue
- A78** Pearl Grey

MS Strips are molded in two sizes:

Part Code	Approximate Overall Size	Display H x W
I-50	9/16" H x 9" W	1/2" x 8-3/4"
I-100	1-1/8" H x 9" W	1" x 8-3/4"

NOTE: Although I-100 strips are essentially twice the size of I-50 strips, they do not modulate perfectly. Mixing the two heights between columns is not recommended.

Display Panel Installation

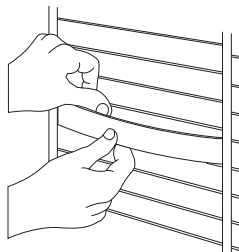
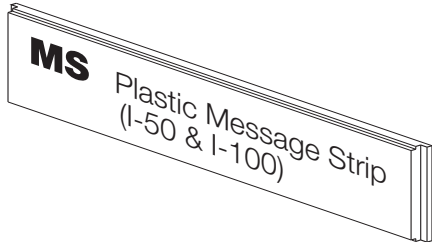
In a "Visulex Housing", the Message Strip/Back-up Assembly is installed during product fabrication and is permanently retained with vinyl tape.

Prepaid Reorder System

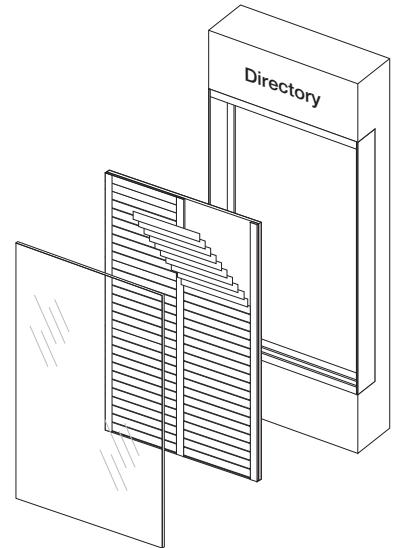
Replacement MS strips are available through the Prepaid Reorder System. A laminated order form with complete specifications is provided along with serially numbered stickers, in quantities of 10, 25 or 50, which can later be redeemed by fax or email.

MS Directory

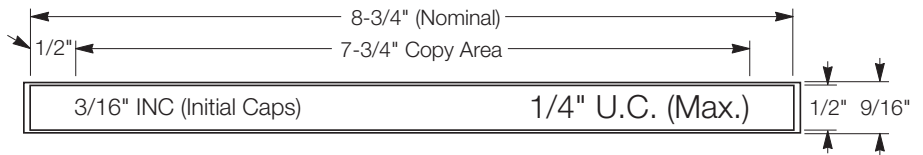
**MOST POPULAR
FACTORY PRINTED
STRIPS**



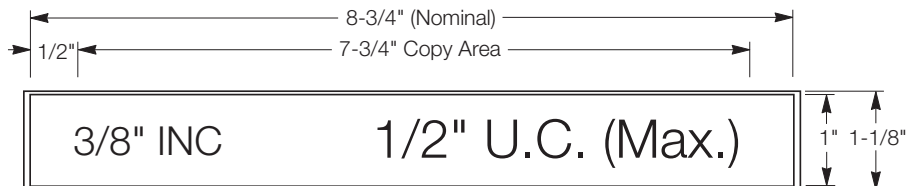
Flex to install or remove message strip from beneath vertical column dividers



I-50 Graphic Area



I-100 Graphic Area



27" Module		Strip Capacity	
No. Col's.	Housing Size (H x W x D)	I-50	I-100
1	27" x 10" x 2-1/2"	32	16
2	27" x 19-1/4" x 2-1/2"	64	32
3	27" x 28-1/2" x 2-1/2"	96	48
4	27" x 37-3/4" x 2-1/2"	128	64
5	27" x 47" x 2-1/2"	160	80
6	27" x 56-1/4" x 2-1/2"	192	96
8†	27" x 74-3/4" x 2-1/2"	256	128
10†	27" x 93-1/4" x 2-1/2"	320	160

40" Module		Strip Capacity	
No. Col's.	Housing Size (H x W x D)	I-50	I-100
1	40" x 10" x 2-1/2"	47	24
2	40" x 19-1/4" x 2-1/2"	94	48
3	40" x 28-1/2" x 2-1/2"	141	72
4	40" x 37-3/4" x 2-1/2"	188	96
5	40" x 47" x 2-1/2"	235	120
6	40" x 56-1/4" x 2-1/2"	282	144
8†	40" x 74-3/4" x 2-1/2"	376	192
10†	40" x 93-1/4" x 2-1/2"	470	240

† Contour shape wall mount modules are not available in widths over 56-1/4".

Aluminum SignBand with Insert Slot

Two extruded Aluminum SignBands with the Insert Slot feature are offered for directory use, the SB15IS and SB30IS. Each has a thickness of .118" (3mm) and incorporates a slight edge bevel that visually creates a shadow line reveal between messages.

A slot within the shape accepts changeable paper inserts, designed to work with perforated SignWord laser-printed paper inserts, available from APCO in coordinated colors. Software is downloadable from www.apcosigns.com and paper supplies are in stock for immediate shipment.

Accord displays consist of independent columns, or "tiles". Tile assemblies support the SignBands which snap onto injection molded MultiClips. Precision placement of these MultiClips ensures SignBand alignment between tiles.

Vertical column dividers are a part of the "tile" assemblies. Each assembly is enclosed on the left side by a 1/16" wide SideTrack profile. The right side remains unobstructed to ease servicing of inserts.

"Tiles" float behind the Visulex's top and bottom trim.

When selecting Aluminum SignBands with Insert Slot, overall heights and display heights are as follows:

Part Code	Overall Height	Display Height
SB15IS	19/32"	5/16"
SB30IS	1-3/16"	15/16"

For sub-headers or other custom uses, aluminum SignBands in 15mm (9/16"), 30mm (1-3/16"), 45mm (1-3/4"), 60mm (2-3/8"), 90mm (3-9/16"), 120mm (4-3/4"), 150mm (5-7/8") heights and SignBand Expander panels are also available thru special order. Consult factory for details.

An optional clear, protective cover is available which slides into the slot, in front of the message.

Sizes & Text Limitations

Standard cut lengths for SB15IS and SB30IS are shown at right. Maximum suggested text sizes are also illustrated for each size.



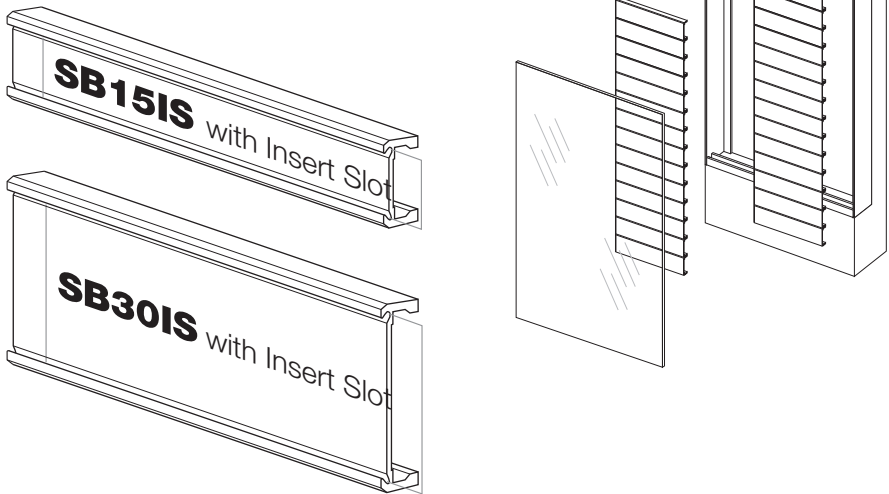
SignWord Pro Software

APCO's SignWord software is available for producing laser graphics on removable, SignWord paper. Features include formats for 15mm and 30mm heights and all Insert Slot widths. The software will print cropmarks for standard paper lengths.

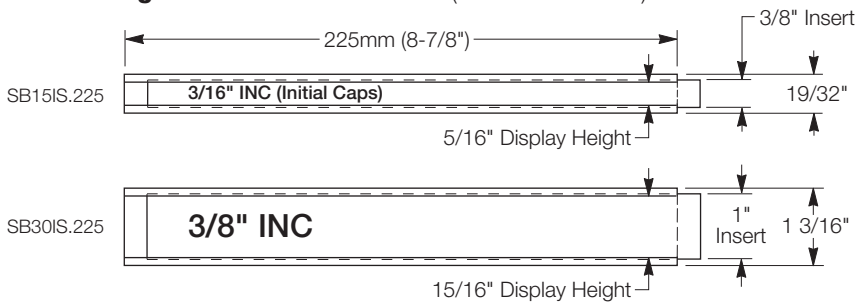
SignWord Pro Software is included with the purchase of a Visulex IS product.

SBIS SignBand (15 & 30mm)

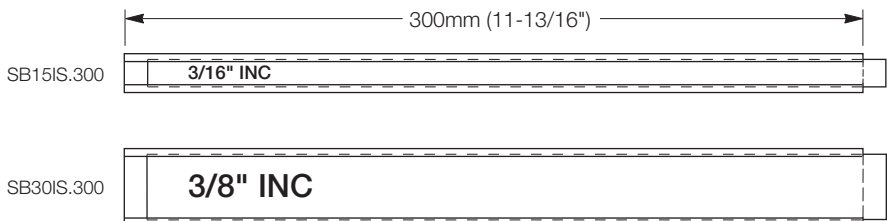
PRINTED PAPER INSERTS OFFER INSTANT IN-HOUSE UPDATING AT LOWEST POSSIBLE COST



225mm SignBands with Insert Slot (SB15IS & SB30IS)



300mm SignBands with Insert Slot (SB15IS & SB30IS)



Aluminum SignBand

When a more permanent message strip is needed, APCO offers SB15 and SB30 Aluminum SignBands. Each has a thickness of .118" (3mm) and incorporates a slight edge bevel to match the SBIS SignBands.

Aluminum SignBands can be finished in any APCO standard painted or anodized color. Message copy is silkscreen printed to the SB face in its own broad range of typestyles and colors.

For other custom uses, 45mm (1-3/4"), 60mm (2-3/8"), 90mm (3-9/16") and 120mm (4-3/4") SignBands are also available. SignBand Expanders offer even larger display areas. Consult factory for details.

Sizes & Text Limitations

Standard cut lengths for the SB15 and SB30 are shown at right. Maximum suggested text sizes are also illustrated for each size.

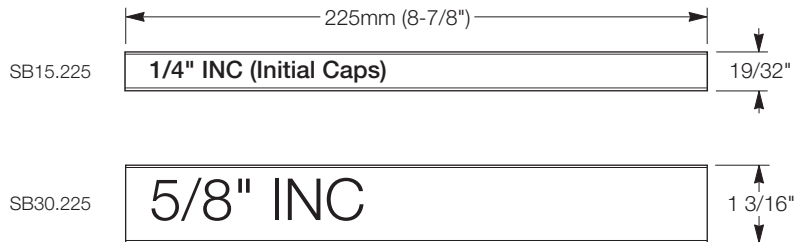
Prepaid Reorder System

Replacement SignBands are available through the Prepaid Reorder System. A laminated order form with complete specifications is provided along with serially numbered stickers, in quantities of 10, 25 or 50, which can later be redeemed by fax or mail.

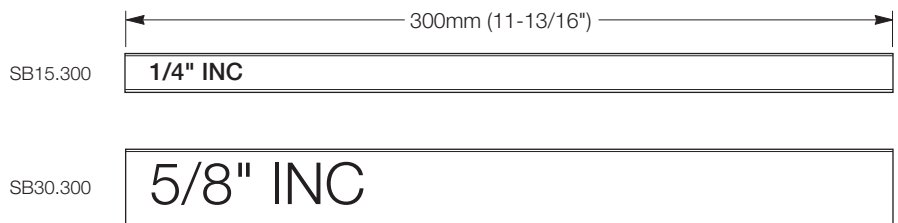
SB SignBand (15 & 30mm)



225mm SignBand (SB15 & SB30)



300mm SignBand (SB15 & SB30)



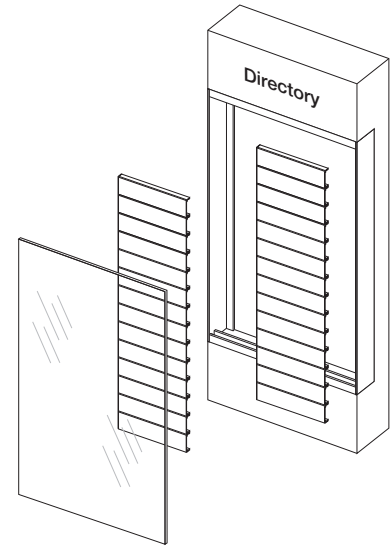
225mm

The following chart illustrates Visulex Wall Mount module sizes and SignBand capacities for 225mm wide, **SBIS Aluminum SignBands with Insert Slot**.

27" Module - 225mm		Strip Capacity	
No. Col's.	Housing Size (H x W x D)	SB15IS	SB30IS
1	27" x 9-1/4" x 2-1/2"	30	15
2	27" x 18-3/16" x 2-1/2"	60	30
3	27" x 27-1/8" x 2-1/2"	90	45
4	27" x 36-1/16" x 2-1/2"	120	60
5	27" x 45" x 2-1/2"	150	75
6	27" x 53-15/16" x 2-1/2"	180	90
8†	27" x 71-7/8" x 2-1/2"	240	120
10†	27" x 89-3/4" x 2-1/2"	300	150

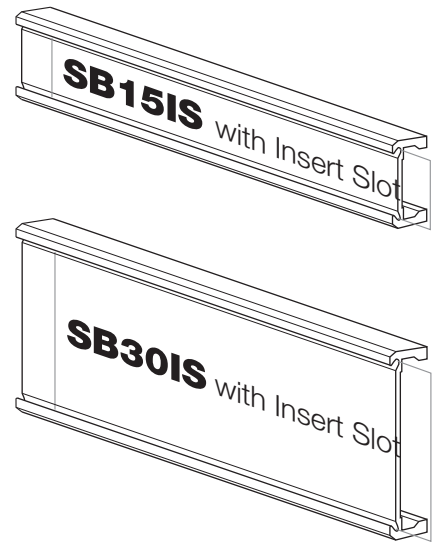
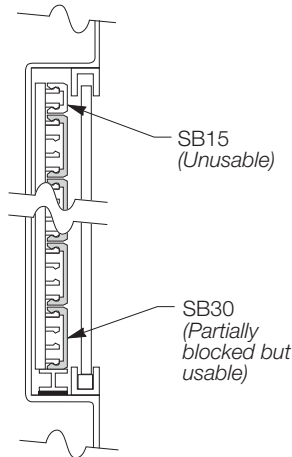
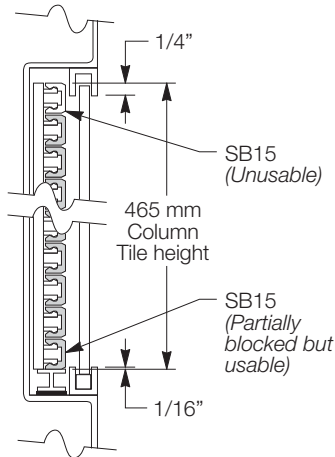
40" Module - 225mm		Strip Capacity	
No. Col's.	Housing Size (H x W x D)	SB15IS	SB30IS
1	40" x 9-1/4" x 2-1/2"	44	22
2	40" x 18-3/16" x 2-1/2"	88	44
3	40" x 27-1/8" x 2-1/2"	132	66
4	40" x 36-1/16" x 2-1/2"	176	88
5	40" x 45" x 2-1/2"	220	110
6	40" x 53-15/16" x 2-1/2"	264	132
8†	40" x 71-7/8" x 2-1/2"	352	176
10†	40" x 89-3/4" x 2-1/2"	440	220

† Contour shape wall mount modules are not available in widths over 56-1/4".



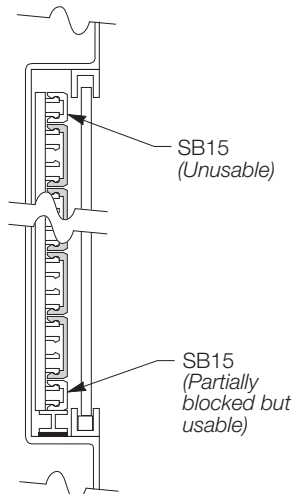
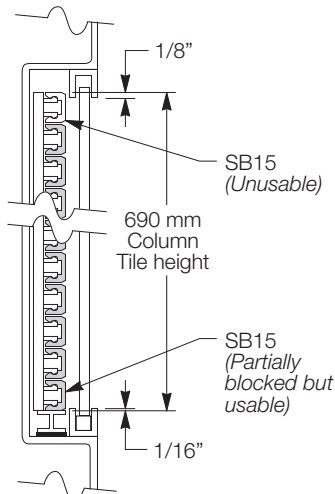
27" Wall Module Height

465mm (18-5/16") Column tile height



40" Wall Module Height

690mm (27-5/32") Column tile height



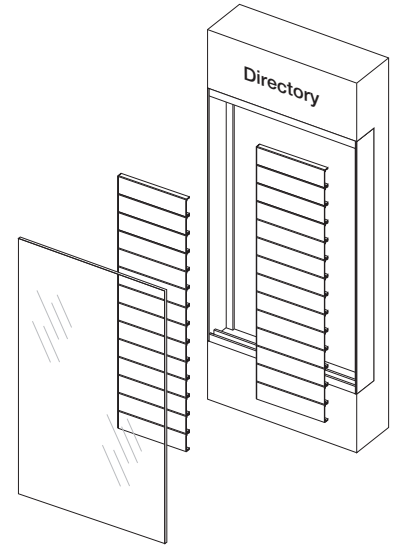
300mm

The two charts below illustrate module size and message strip capacities for 300mm wide, **SBIS Aluminum SignBands with Insert Slot**.

27" Module - 300mm		Strip Capacity	
No. Col's.	Housing Size (H x W x D)	SB15IS	SB30IS
1	27" x 12-3/16" x 2-1/2"	30	15
2	27" x 24-1/16" x 2-1/2"	60	30
3	27" x 36" x 2-1/2"	90	45
4	27" x 47-7/8" x 2-1/2"	120	60
5†	27" x 59-13/16" x 2-1/2"	150	75
6†	27" x 71-11/16" x 2-1/2"	180	90
7†	27" x 83-5/8" x 2-1/2"	240	120

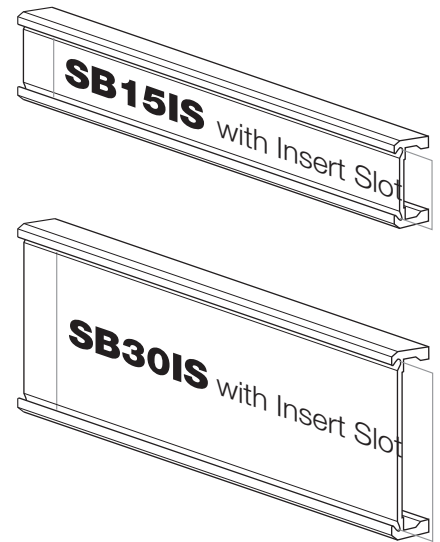
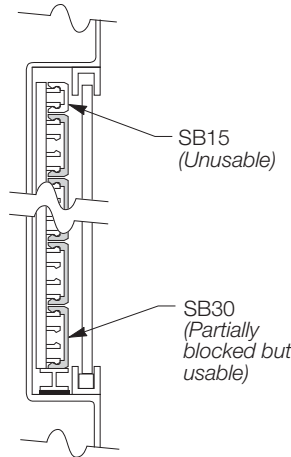
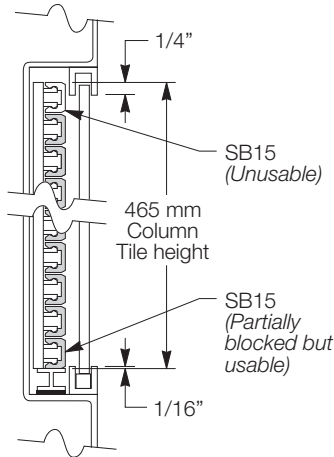
40" Module - 300mm		Strip Capacity	
No. Col's.	Housing Size (H x W x D)	SB15IS	SB30IS
1	40" x 12-3/16" x 2-1/2"	44	22
2	40" x 24-1/16" x 2-1/2"	88	44
3	40" x 36" x 2-1/2"	132	66
4	40" x 47-7/8" x 2-1/2"	176	88
5†	40" x 59-13/16" x 2-1/2"	220	110
6†	40" x 71-11/16" x 2-1/2"	264	132
7†	40" x 83-5/8" x 2-1/2"	352	176

† Contour shape wall mount modules are not available in widths over 56-1/4".



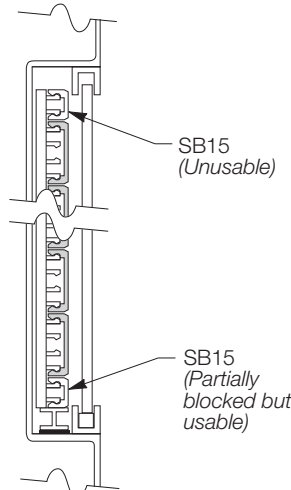
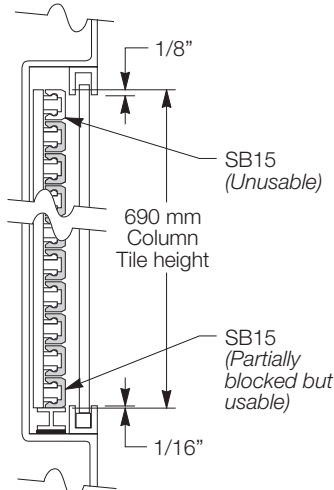
27" Wall Module Height

465mm (18-5/16") Column tile height



40" Wall Module Height

690mm (27-5/32") Column tile height

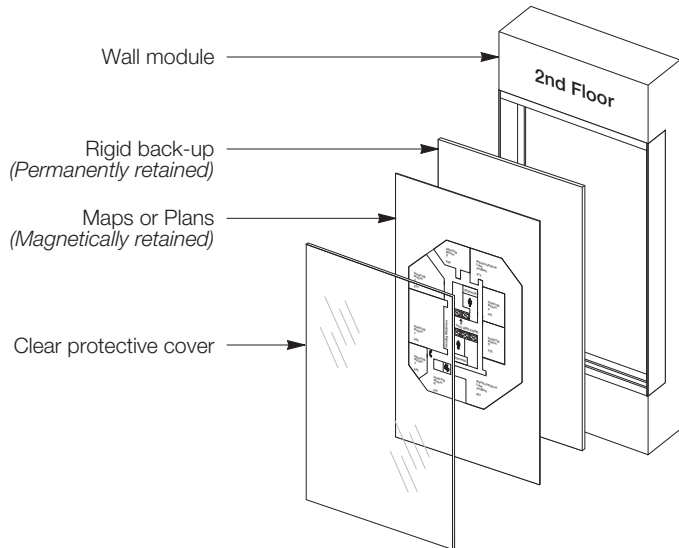


Maps & Plans

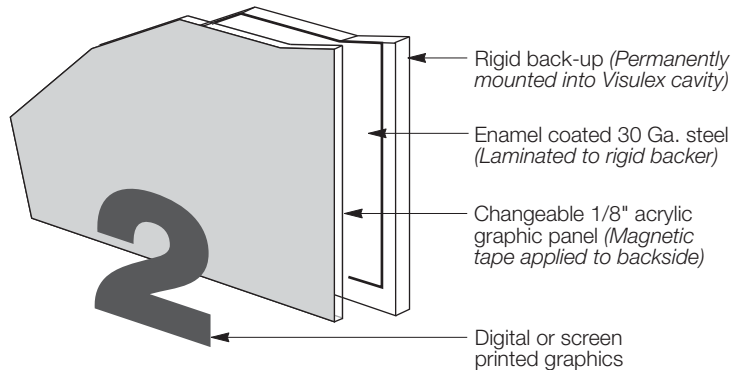
When used to display Maps or Plans, Visulex accommodates multicolored floorplans, site plans or facility locator maps. Single or multiple graphic inserts can be displayed.

Changeable Map or Plan graphic panel is digitally produced vinyl graphics or screen printed artwork applied to 1/8" thick acrylic and backed up with magnetic tape. Graphic panel assembly attaches to a permanently mounted rigid backer, laminated with enamel coated steel. Removing panel is easily performed using a suction cup tool.

Digital artwork can be provided by the customer or APCO can create the art from site or floor plans.



Maps & Plans Panel Construction



Housing Size and Display Area

Standard Visulex module sizes are offered for Maps and Plans. However, housings can be constructed to accommodate custom display widths.

To calculate available display height:

Visulex Height		Equals Display Height
27"	minus 9"	18"
40"	minus 13"	27"

To calculate available display width, subtract 1/4" from overall module width.

The two charts below illustrate standard module sizes and display areas for **Maps or Plans**.

27" Module Housing Size (H x W x D)	Display Area	
	Height	Width
27" x 10" x 2-1/2"	18"	9-3/4"
27" x 19-1/4" x 2-1/2"	18"	19"
27" x 28-1/2" x 2-1/2"	18"	28-1/4"
27" x 37-3/4" x 2-1/2"	18"	37-1/2"
27" x 56-1/4" x 2-1/2"	18"	56"
27" x 74-3/4" x 2-1/2" †	18"	74-1/2"
27" x 93-1/4" x 2-1/2" †	18"	93"

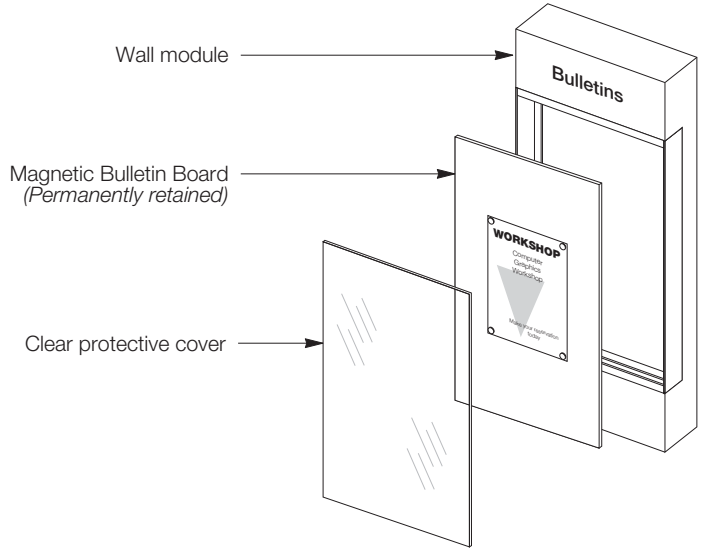
40" Module Housing Size (H x W x D)	Display Area	
	Height	Width
40" x 10" x 2-1/2"	27"	9-3/4"
40" x 19-1/4" x 2-1/2"	27"	19"
40" x 28-1/2" x 2-1/2"	27"	28-1/4"
40" x 37-3/4" x 2-1/2"	27"	37-1/2"
40" x 56-1/4" x 2-1/2"	27"	56"
40" x 74-3/4" x 2-1/2" †	27"	74-1/2"
40" x 93-1/4" x 2-1/2" †	27"	93"

† Contour shape wall mount modules are not available in widths over 56-1/4".

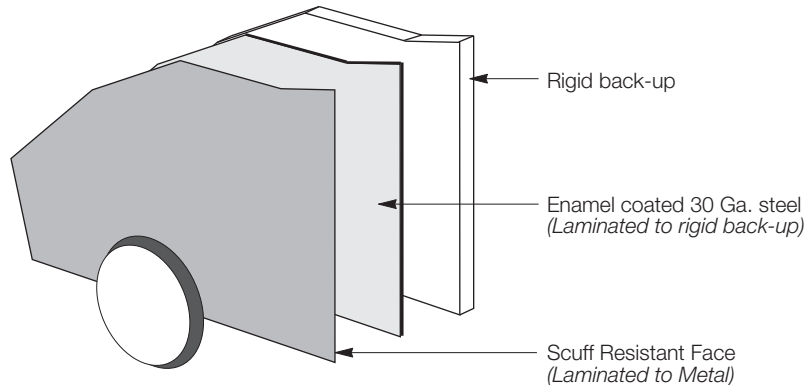
Magnetic Bulletin Board

Visulex provides a smooth inner surface when used as a Magnetic Bulletin Board. Magnetic "buttons" are furnished to retain posters, messages, announcements and other sheet documents.

Magnetic Bulletin Boards incorporate an enamel coated metal core laminated to a rigid back-up. The core is covered with a scuff resistant vinyl which is reversed sprayed to match any APCO color. The finished assembly is permanently retained within the Visulex cavity.



Bulletin Board Construction



Magnetic Disc
 (3/4" dia. x 1/8" thick)
 10 pack, provided by APCO

Housing Size and Display Area

Standard Visulex module sizes are offered for Magnetic Bulletin Boards. However, housings can be constructed to accommodate custom display widths.

To calculate available display height:

Visulex Height		Equals Display Height
27"	minus 9"	18"
40"	minus 13"	27"

To calculate available display width, subtract 1/4" from overall module width.

The two charts below illustrate standard module sizes and display areas for **Magnetic Bulletin Boards**.

27" Module Housing Size (H x W x D)	Display Area	
	Height	Width
27" x 10" x 2-1/2"	18"	9-3/4"
27" x 19-1/4" x 2-1/2"	18"	19"
27" x 28-1/2" x 2-1/2"	18"	28-1/4"
27" x 37-3/4" x 2-1/2"	18"	37-1/2"
27" x 56-1/4" x 2-1/2"	18"	56"
27" x 74-3/4" x 2-1/2" †	18"	74-1/2"
27" x 93-1/4" x 2-1/2" †	18"	93"

40" Module Housing Size (H x W x D)	Display Area	
	Height	Width
40" x 10" x 2-1/2"	27"	9-3/4"
40" x 19-1/4" x 2-1/2"	27"	19"
40" x 28-1/2" x 2-1/2"	27"	28-1/4"
40" x 37-3/4" x 2-1/2"	27"	37-1/2"
40" x 56-1/4" x 2-1/2"	27"	56"
40" x 74-3/4" x 2-1/2" †	27"	74-1/2"
40" x 93-1/4" x 2-1/2" †	27"	93"

† Contour shape wall mount modules are not available in widths over 56-1/4".

Wall Mount Module Features

Module Housing

The Wall Mount Module housing is a 2-1/2" thick, seamless, fiber reinforced plastic (FRP) structure molded in heights of 27" and 40".

Note: For module heights other than 27" or 40", refer to APCO's economy Visulex 40 Series.

Header and base shapes are molded with a radius, square, bevel or contour shape. Radius, bevel and square units can be manufactured in widths ranging from 10" to 93-1/4". Contour unit widths range from 10" to 56-1/4".

Important: Specifying a non-standard width Wall Mount Module may require display component modifications. Consult factory for details.

Trim

Wall Mount Modules are provided with vertical and horizontal trim pieces. To enclose the ends of the display, vertical 1-1/4" angle (1/8" thick) trim is permanently affixed to the module's cavity. To retain the protective cover, channel (1/2" high) trim is affixed at the top and bottom.

Standard Trim Finishes

The following finishes are standard offerings for vertical and horizontal trim:

- Natural Satin Anodized
- 313 Dark Bronze Anodized
- 315 Black Anodized

Optional Trim Finishes

- Aluminum
 - Polished, Uncoated (APU)
 - Satin (Brushed), Clear Coated (ASC)
 - Painted; Standard APCO colors or custom colors can be matched
- Brass (Yellow)
 - Polished, Uncoated (BPU)
 - Polished, Clear Coated (BPC)
 - Satin (Brushed), Clear Coated (BSC)
 - Chrome Plated (BCHR)
 - Patina (Antique), Clear Coated (BAC)**
- Brass (Red)
 - Polished, Uncoated (RBPU)*
 - Polished, Clear Coated (RBPC)*
 - Satin (Brushed), Clear Coated (RBSC)*

Lacquer is used for Clear Coated finishes

* Matched to 90/10 Commercial Bronze

** Simulated oxidized bronze (supply sample for accurate match)

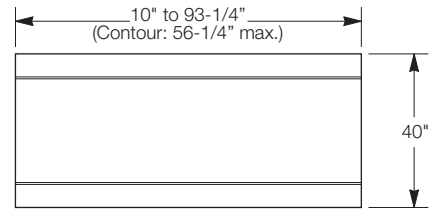
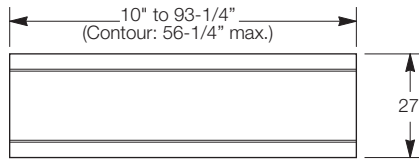
Protective Cover

A 3/16" thick clear acrylic cover rests in place within the top and bottom channel trim. Cover is removed by adhering a Suction Cup Tool (SCT) to the acrylic, lifting upward and out of the bottom channel trim, then rotating it outward. Maximum Protective Cover size for 27" high modules is 72" wide. Maximum Protective Cover size for 40" high modules is 56-1/4" wide. When exceeding these widths, covers will be split at center or in alignment with message column divider.

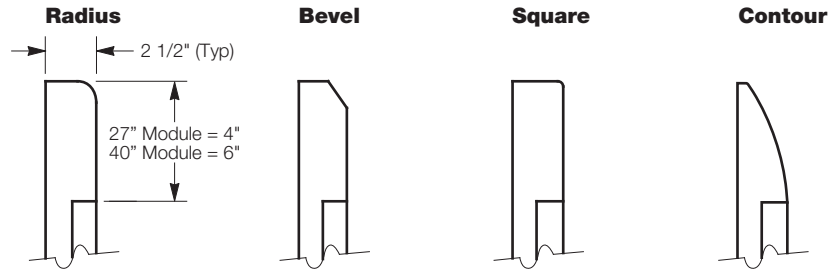
Mounting

The wall mount Visulex attaches directly to a vertical surface using mounting angles and countersunk screws provided.

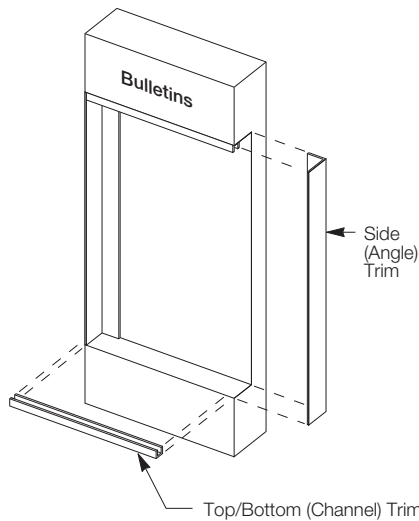
Wall Module Sizes



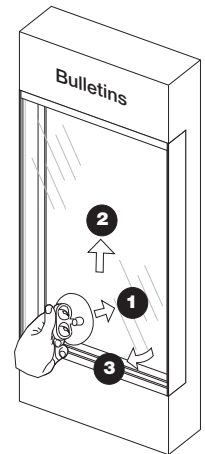
Header/Base Shapes



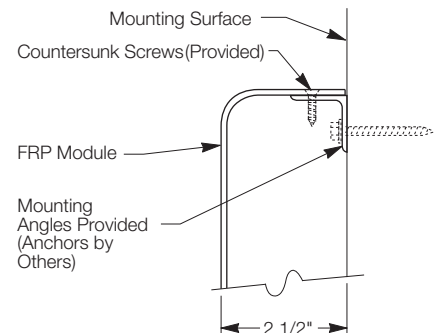
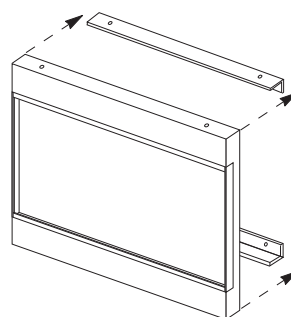
Trim



Protective Cover



Mounting Detail



Module Finish

Visulex modules are polyurethane painted in any standard APCO color or to match custom color(s).

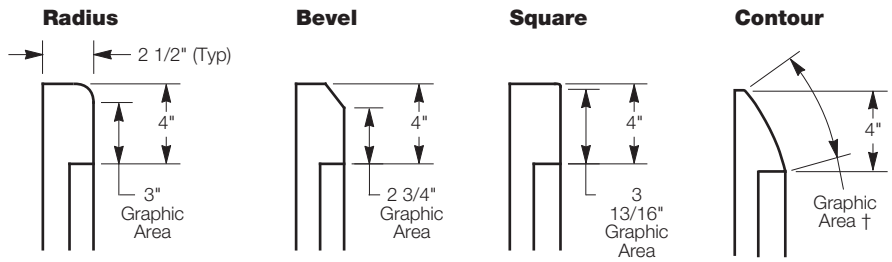
Module Graphics

Header and/or base graphics can be screen printed or surface applied vinyl in any standard APCO color or to match custom color(s). Refer to illustrations for available graphic area.

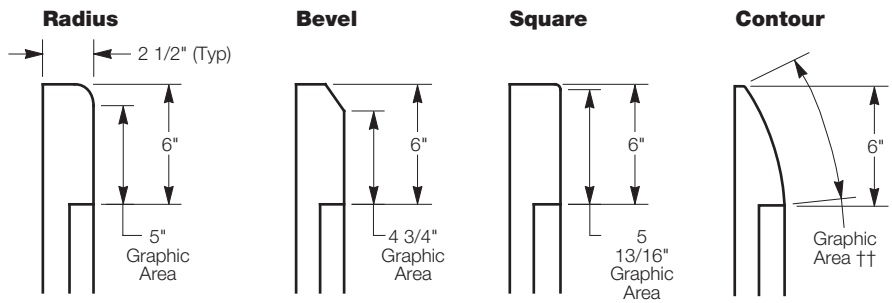
Note: The Contour Visulex's surface limits screen printed graphic height to 1-1/4" for the 27" module, and 2" for the 40" module. For larger graphics, APCO recommends pressure sensitive vinyl (PSV).

For custom graphics, the customer can provide digital or camera ready artwork, or APCO can computer generate the art.

27" Module - Header / Base Shape & Graphic Area



40" Module - Header / Base Shape & Graphic Area



† When screen printing header/base of a 27" Contour Visulex, a single line of text or graphics cannot exceed 1-1/4" high. Specify PSV for larger graphics.

†† When screen printing header/base of a 40" Contour Visulex, a single line of text or graphics cannot exceed 2" high. Specify PSV for larger graphics.

Header/Base Graphic Formats



Left/Center (LC)



Center/Center (CC)



Right/Center (RC)

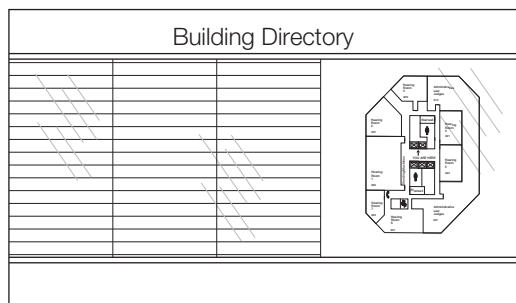
Custom Configurations

Visulex can display a combination of message strips, map(s), etc. For Directory configurations, the message strip is commonly the first component specified.

Important: It is highly recommended that standard message widths be utilized as this will reduce errors when future component reorders are required.

Once the area required for message strips has been determined, other display insert size(s) can be specified.

Custom Display Configuration



Pylon Module

Pylon Module

The Visulex 2100.2 Series freestanding pylon is a 76"H x 38"W x 8"D. non-illuminated Directory and Display System designed for interior applications. Modules are available with radius, bevel and square end shapes. Each is molded of seamless fiberglass and includes a 4" homogenous skirt.



2100.2
Pylon Module
• Single Sided
• Double Sided

Single or double sided cavity configurations are protected by 3/16" lift-out clear acrylic covers behind which one may display Changeable Messages Strips, Maps and Floor Plans, Magnetic Bulletin Boards, or any combination.

Features

- Molded, Seamless Fiberglass
- Three Shapes: Square, Radius, Bevel
- Removable Protective Cover
- Aluminum or Solid Brass Trim

Finishes

- FRP Housing:
 - Acrylic Polyurethane Coated (Any Color)
- Trim:
 - Acrylic Polyurethane Coated (Any Color)
 - Black, Bronze or Natural Satin Anodized Solid Brass:
 - Polished or Satin Architectural Bronze (to match Alloy 280)
 - Commercial Bronze (to match Alloy 220)
 - Statuary
 - Chrome Plated Brass
- Module Graphics:
 - Screen Printed or Surface Applied Vinyl

Message Strip Display

Available in two options:

- 1 MS - Molded Plastic "IM" Strip
 - Snap-in Message Strips
 - Injection Molded to Insure Size & Color
 - Easy to Change & Always Fits
 - 150 (1/2" x 9")
 - 1100 (1" x 9")
 - Eight (8) Standard Integral Colors
- 2 SignBand Message Strip
 - SB-IS - Aluminum SignBand with Paper Insert Slot (User Updatable)
 - SB - Aluminum SignBand (Optional)

Other Display Options

- Custom Maps/Plans
- Magnetic Display Board (Any Color)

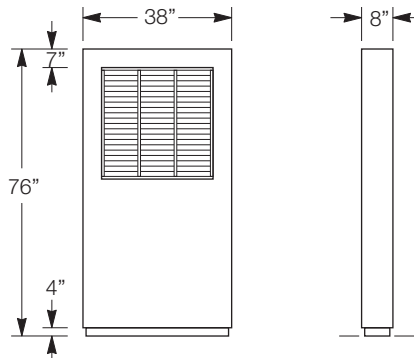
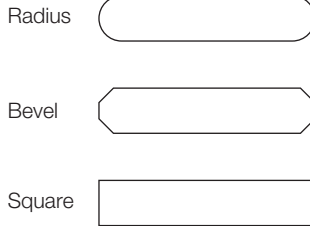
Prepaid Reorder System

- For Ease in Reordering Replacement Message Strips

Services

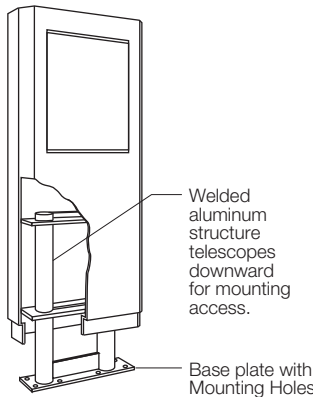
- Direct Factory Support
- Engineering
- Custom Shop/Detail Drawings
- CSI (Construction Specification Institute) Specifications Available
- 5 Year Limited Warranty.

End Shapes (Plan Views)



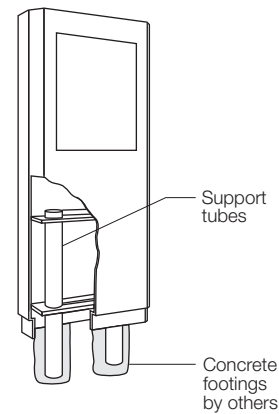
4" Skirt (kick plate) is a homogenous part of the pylon. As a standard, its finish will match the pylon's background color.

Above-grade Mounting (Standard)



Above Grade Mounting (Standard)
Standard construction includes an internal, welded aluminum, telescoping structure with base plate. Anchor holes are provided and are concealed by the pylon's skirt.

In-ground Mounting (Optional)



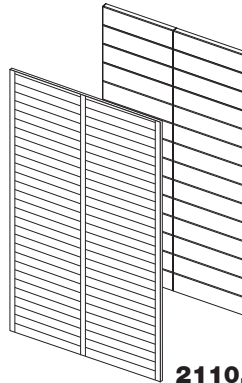
In-ground Mounting (Optional)
This optional mounting method includes longer telescoping tubular legs which extend into grade. Concrete footings are then required to support the sign.

As a **Directory**, Visulex offers injection molded plastic MS message strips and Accord 15° SignBands.

APCO's most popular MS message strips are molded in integral colors and factory printed in virtually any typestyle and color. Our Prepaid Reorder System is available to ensure future replacement strips match your original colors and graphics.

Aluminum Accord 15° SignBands are assembled as removable column "tiles". SignBands are attached to molded plastic multiclips to assure alignment between columns.

Directory Configurations



2110.2 Directory with lift-out SignBand column tiles

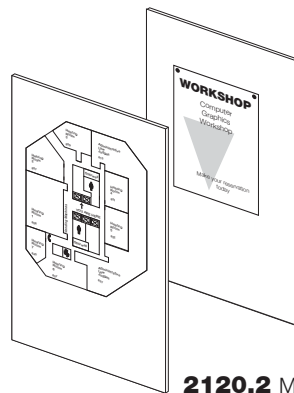
2110.2 Directory with molded plastic "MS" strips

Directory Insert	Pylon Size H x W x D	No. Col's Per side	Total Strip Capacity Per side	Message Strip Size	Cavity Size H x W x D
MS (I50)	76"x 38"x 8"	3	150	1/2" x 9"	29-3/4"x 28-1/4"x 15/16"
MS (I100)	76"x 38"x 8"	3	75	1" x 9"	29-3/4"x 28-1/4"x 15/16"
SB15IS	76"x 38"x 8"	3	150	15mm x 225mm	31-1/2"x 26-7/8"x 1-5/16"
		2	50	15mm x 300mm	31-1/2"x 23-13/16"x 1-5/16"
SB30IS	76"x 38"x 8"	3	75	30mm x 225mm	31-1/2"x 26-7/8"x 1-5/16"
		2	50	30mm x 300mm	31-1/2"x 23-13/16"x 1-5/16"

Changeable Maps and Plans are screen printed or digitally laminated onto a solid substrate and magnetically fastened for easy changability.

Magnetic Bulletin Boards include a ferrous insert, covered with a sub-surface finished, scuff resistant vinyl. Magnetic "buttons" are provided.

Other Display Configurations



2120.2 Maps & Plans

2130.2 Magnetic Bulletin Board

Display Insert	Pylon Size H x W x D	Cavity Size H x W x D	Display Area H x W
Maps & Plans			
Magnetic Bulletin Board	76"x 38"x 8"	29-3/4"x 28-1/4"x 15/16"	28-3/4"x 28-1/4"

Shop Drawings

Technical Shop Drawings for the Wall Mounted Visulex are available on our website or in printed form. Drawings include orthographic illustrations and a "Specification" page which allows selection from a wide variety of standard components. Installation and mounting details are supplied for coordinating mounting details with the contractor.

Engineering Services

APCO's engineering services will help you develop a Visulex to suit your requirements. Free consultation is available nationwide to assist in calculating size and capacity.

Installation Instructions

Installation instructions are provided with every Visulex display.

Care and Maintenance Instructions

Servicing is made simple by APCO's use of easy to change graphics and inserts. A simple maintenance kit is supplied for insert removal. Providing care and maintenance instructions are followed carefully, the Visulex display will last for many years.