

PolySign® Economy *With In-Bound Posts*



1.3.200
7/04

*This Cost-Effective Product
Provides Outstanding
Performance and Durability
at a Significantly Lower Cost.*



The Economy Series presents a clean shape, free from traditional "attached" posts and hardware.

The post supports are inbound, nesting within the bonded fiberglass and aluminum sign panel assembly.

Available in Single Post, Double Post and Pylon Configurations.

Features

- Permanent Graphics (Intaglio)
- Semi-permanent Graphics - Pressure Sensitive Vinyl (PSV)
- Easy Installation
- Fiberglass (FRP) Sign Panels
- Impact Resistant
- Single or Double Sided Graphics
- Post Finishes: Black, Bronze & Natural Satin Anodized & Polyurethane Coated/Any Color
- Panel Finishes: Polyurethane Coated/Any Color
- Durable, Fade-Resistant Finishes
- 7 Year Limited Warranty
- Engineering Services

Intaglio (Frisket) Graphic Application Method

Step 1. The entire fiberglass sign face is sprayed with heavy coats of polyurethane paint, which is tinted to the selected graphics color.

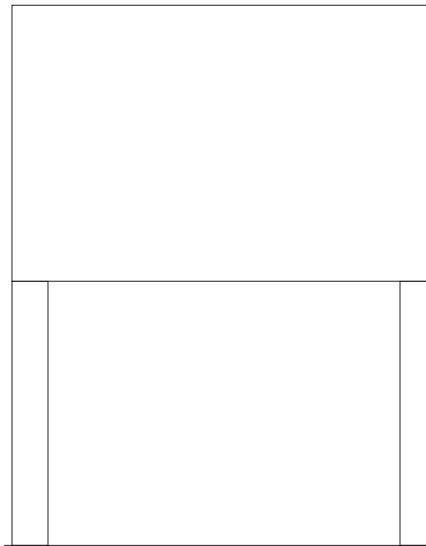
Step 2. After the graphics color has adequately dried, a precision cut adhesive backed image is applied.

Step 3. The entire fiberglass sign face is then sprayed with multiple coats of polyurethane paint, which is tinted to the selected background color.

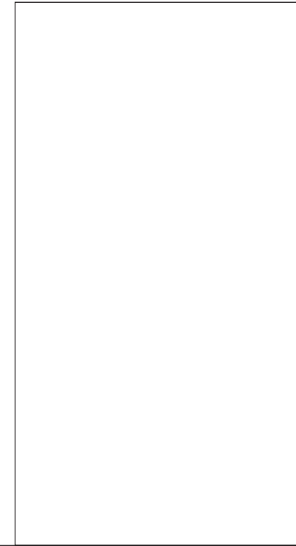
Step 4. After another curing period, the adhesive back image is then peeled away, exposing the original color.

This process assures a sharp, solvent resistant, permanent and durable graphics image. As an integral part of the sign face, intaglio graphics are warranted for seven (7) years against failure such as coating degradation, chalking or fading.

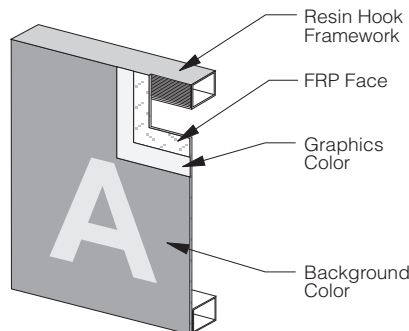
Post & Panel 2-1/2" (64mm) Deep



Pylon 2-1/2" (64mm) Deep

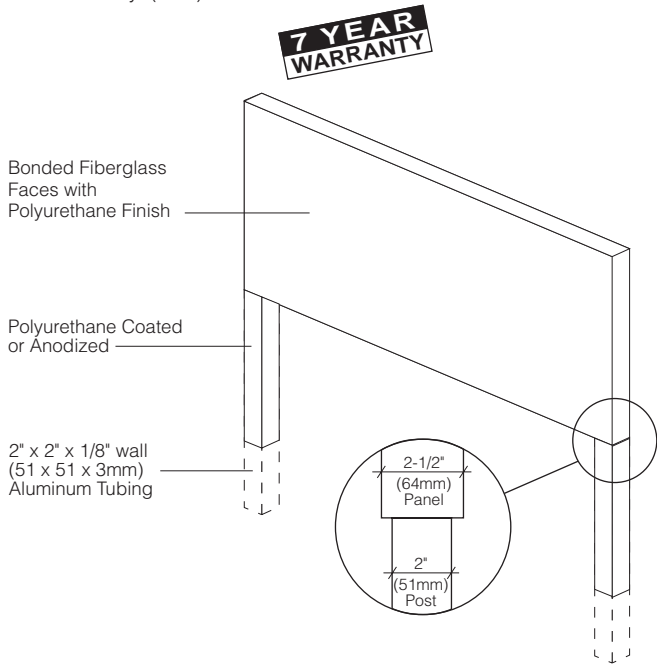


SignPanel Construction



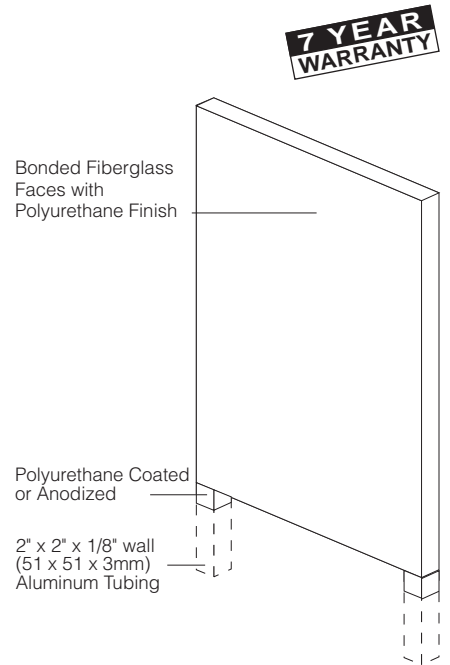
4110E - Post & Panel 2 1/2" (64mm)

This series combines a welded aluminum superstructure with bonded, seamless molded fiberglass faces. The inbound posts extend beyond the panel for direct embedment into earth or concrete footings. Panel depth is nominal 2-1/2" (64mm). Graphics may be either Intaglio (frisket) or surface applied Pressure Sensitive Vinyl (PSV).



4120E - Pylon 2 1/2" (64mm)

This series combines a welded aluminum superstructure with bonded, seamless molded fiberglass faces. The inbound posts extend beyond the panel for direct embedment into earth or concrete footings. Panel depth is nominal 2-1/2" (64mm). Graphics may be either Intaglio (frisket) or surface applied Pressure Sensitive Vinyl (PSV).



Panel Sizes for 4110E/4120E 2-1/2" Depth

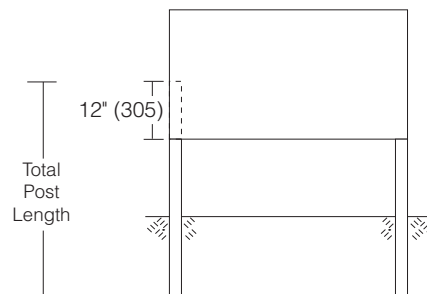
Height	Width Inches (Metric)								
	12 (305)	18 (457)	24 (610)	30 (762)	36 (914)	42 (1067)	48 (1219)	60 (1524)	72 (1829)
12 (305)	•	•	•	•	•	•	•	•	•
18 (457)	•	•	•	•	•	•	•	•	•
24 (610)	•	•	•	•	•	•	•	•	•
30 (762)	•	•	•	•	•	•	•	•	•
36 (914)	•	•	•	•	•	•	•	•	•
42 (1067)	•	•	•	•	•	•	•	•	NA
48 (1219)	•	•	•	•	•	•	•	NA	NA
60 (1524)	•	•	•	•	•	•	NA	NA	NA
72 (1829)	•	•	•	•	•	NA	NA	NA	NA

Post Length

Overall, including 12" (305mm) inside panel

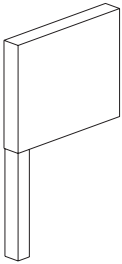
- 24 (610)
- 30 (762)
- 36 (914)
- 48 (1219)
- 60 (1524)
- 72 (1829)
- 96 (2438)

Note: Posts are shipped detached.

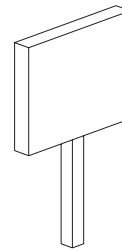


Single Post & Panel

4130.1E - Flag Mount 2 1/2" (64mm)



4130.3E - Center Post Mount 2 1/2" (64mm)



Panel Sizes for 4130.1E 2-1/2" Depth

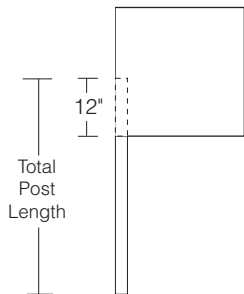
Height	Width Inches (Metric)		
	12 (305)	18 (457)	24 (610)
12 (305)	•	•	NA
18 (457)	•	•	•
24 (610)	•	•	•

Panel Sizes for 4130.3E 2-1/2" Depth

Height	Width Inches (Metric)		
	12 (305)	18 (457)	24 (610)
12 (305)	•	•	NA
18 (457)	•	•	•
24 (610)	•	•	•

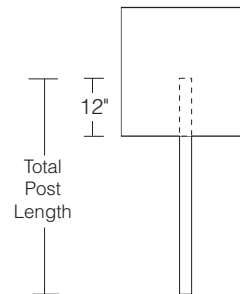
Post Length

Overall including 12" (305mm) inside panel
96 (2438) Standard length for all



Post Length

Overall including 12" (305mm) inside panel
96 (2438) Standard length for all



Assembly

All 2 1/2" deep Economy PolySigns are assembled by applying silicone into the panel receptacle(s). Posts are then gently driven into bottom of panel until contact is made with internal "stop". Excess silicone is wiped away and the sign is ready for installation.

