

Fight the Spread of Germs in Your Facility, But Don't Sacrifice Image to Do It!

HealthView is a unique, modular system for dispensing multiple infection control products including wipes, hand foam, tissues and masks.

The system is constructed of pre-engineered aluminum components and is available in a range of finishes, for wall, stanchion or kiosk mounting.

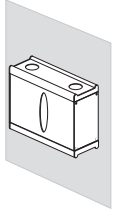
HealthView also offers customizable display options to help educate users about the importance of hand sanitation and infection control.



Patent Pending.

HPS100 Wall Mount

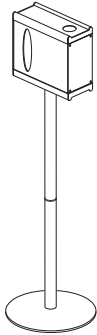
3.9.102-104



Poster Frame	3.9.102
Dispenser Cabinet	3.9.103
WasteBin	3.9.104

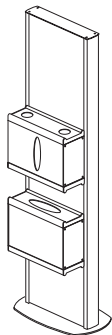
HPS200 Stanchion

3.9.105



HPS300 Kiosk

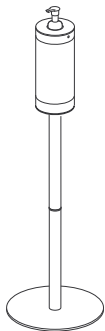
3.9.106-111



11.75" x 60"	3.9.107
14.25" x 60"	3.9.108
14.25" x 66"	3.9.109
18.25" x 66"	3.9.110
18.25" x 72"	3.9.111

HPSTUBE The Tube

3.9.112



Dispenser Contents, Poster Graphics, Notes

3.9.113-114

Poster Display Overview

The optional HealthView Poster Display may be used to convey health related information, as well as general facility information or advertising. Graphics are protected by a removable Clear Lens.

Widths

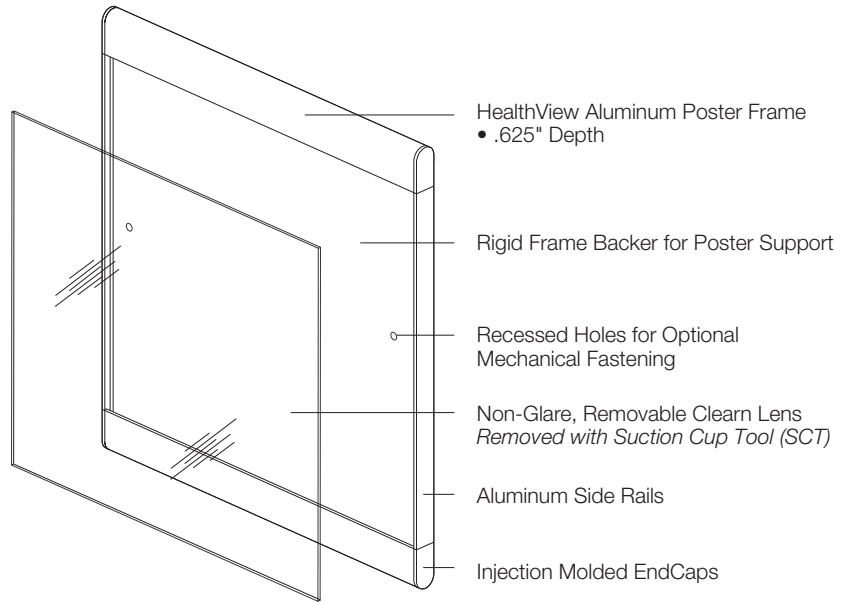
- 11.75"
- 14.25"
- 18.25"

Aluminum Poster Frame Finishes

- Satin Anodized (Standard)
- Painted

Injection Molded EndCap Finishes

- Light Grey (Standard Integral Color)
- Painted



See page 3.9113
for standard poster
layouts!

11.75" Poster Display Sizes



Frame Code: **H100PF-171175**
ClearLens Code: **H100I-171175-CL**
ID: 17"(h) x 11.75"(w)
OD: 19"(h) x 11.875"(w)

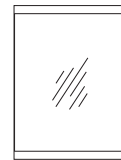


Frame Code: **H100PF-111175**
ClearLens Code: **H100I-111175-CL**
ID: 11"(h) x 11.75"(w)
OD: 13"(h) x 11.875"(w)

14.25" Poster Display Sizes



Frame Code: **H100PF-241425**
ClearLens Code: **H100I-241425-CL**
ID: 24"(h) x 14.25"(w)
OD: 26"(h) x 14.875"(w)

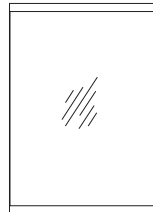


Frame Code: **H100PF-171425**
ClearLens Code: **H100I-171425-CL**
ID: 17"(h) x 14.25"(w)
OD: 19"(h) x 14.375"(w)

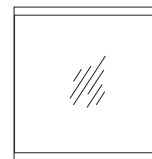


Frame Code: **H100PF-111425**
ClearLens Code: **H100I-111425-CL**
ID: 11"(h) x 14.25"(w)
OD: 13"(h) x 14.375"(w)

18.25" Poster Display Sizes



Frame Code: **H100PF-241825**
ClearLens Code: **H100I-241825-CL**
ID: 24"(h) x 18.25"(w)
OD: 26"(h) x 14.375"(w)

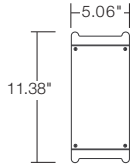


Frame Code: **H100PF-171825**
ClearLens Code: **H100I-171825-CL**
ID: 17"(h) x 18.25"(w)
OD: 19"(h) x 18.345"(w)

HPS100 Wall Mount Dispenser Cabinet

Dispenser Cabinet Overview

Aluminum cabinet with lift-out face for access to contents. Attaches to wall surface with concealed fasteners
Overall height: 11.38"
Depth: 5.06"



Widths

- 11.75"
- 14.25"
- 18.25"

Dispenser Box/Cabinet

- Satin Anodized

Injection Molded EndCap Finishes

- Light Grey (Standard Integral Color)
- Painted

EndPlate (Aluminum)

- Satin Anodized

Security Pin (standard) prevents faceplate removal. Optional Security Screw (TRS) provides additional vandal resistance.

Removable Faceplate Finishes

- Integrally Colored Plastic / Kydex® (KY)
 - #52070 Light Grey
 - #32060 Mystic Green
 - #42110 Twilight Blue
- Satin Anodized Aluminum (AL)
- Acrylic with Decorative Wood Vinyl (DW)
 - DWM1 Maple DWW2 Walnut
 - DWC3 Oak DWC4 Cherry
 - DWM5 Mahogany

Dispenser Cabinet Code

Use dispenser content codes on page 3.9.113.
Example: H100T1F3 would be a dispenser cabinet to house (1) Kimberly Clark Tissue & (1) Purell Hand Foam.

Dispenser Cabinet Faceplate Code

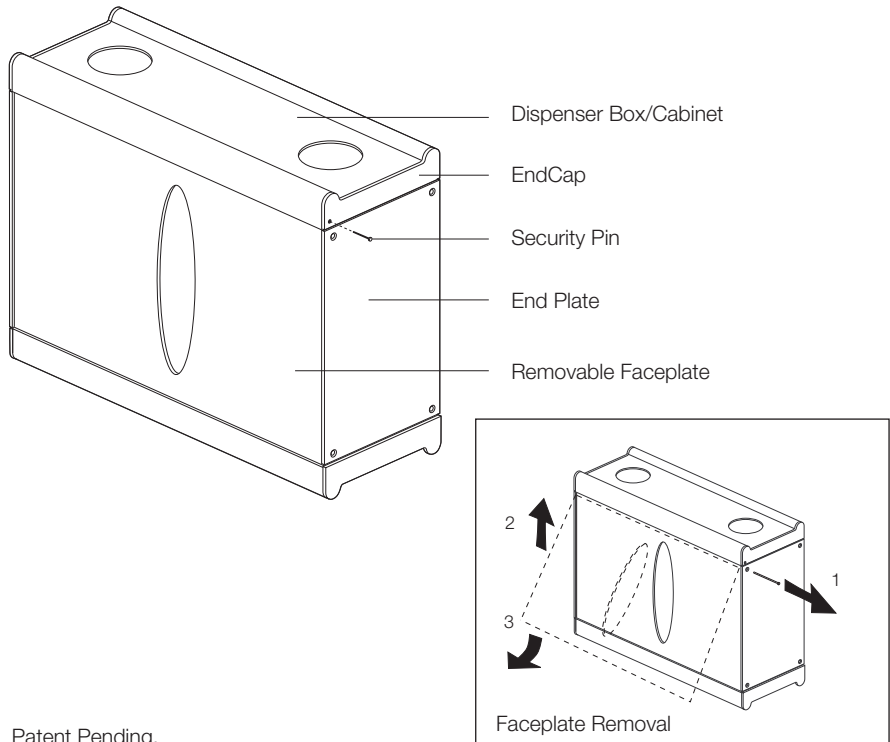
Dispenser content codes on page 3.9.113 will only be needed if there is a cut-out (opening) in the faceplate, i.e. for tissues or mask. Use the corresponding tissue or mask as needed.

Example: H100FP-T1F would be a dispenser faceplate for a cabinet housing (1) Kimberly Clark Tissue and (1) Hand Sanitizer.

See page 3.9.113 for specific dispenser content product codes.

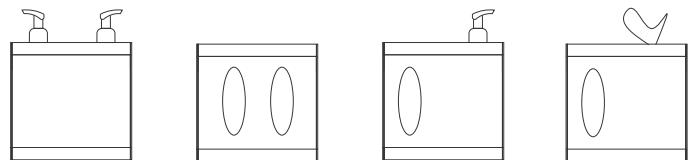
Note Regarding ADA Compliance

HealthView's Series 100 Dispenser Cabinet features a depth of 5.06". If mounted within a facility's "circulation route" (i.e. corridor, stairways, etc.), it must be either 1) mounted so that the bottom of the cabinet is lower than 27" above the floor surface, or 2) accompanied by a HealthView WasteBin below which extends lower than 27" above the floor surface. For more details, please consult APCO.



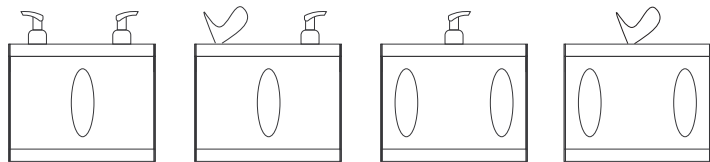
Patent Pending.

11.75" Dispenser Configurations & Codes



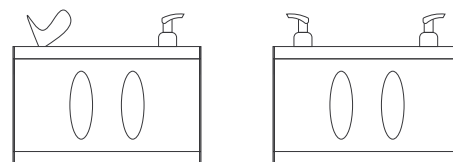
Dispenser Code: **H100-F_F** **H100-T_M** **H100-T_F** **H100-T_W**
Faceplate Code: **H100FP-FF** **H100FP-T_M** **H100FP-T_F** **H100FP-T_W**

14.25" Dispenser Configurations & Codes



Dispenser Code: **H100-F_T_F** **H100-W_T_F** **H100-M_F_T** **H100-M_W_T**
Faceplate Code: **H100FP-FT_F** **H100FP-WT_F** **H100FP-M_F_T** **H100FP-M_W_T**

18.25" Dispenser Configurations & Codes

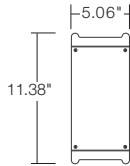


Dispenser Code: **H100-W_M_T_F** **H100-F_T_M_F**
Faceplate Code: **H100FP-WM_T_F** **H100FP-FT_M_F**

HealthView WasteBin Cabinet

Aluminum cabinet with lift-out face for access to removable trash bag. Features elliptically shaped waste opening on top of cabinet. Attaches to wall surface with concealed fasteners

Overall height: 11.38"
Depth: 5.06"



Widths

- 11.75"
- 14.25"
- 18.25"

Standard Cabinet Finishes

- Satin Anodized

Injection Molded EndCap Finishes

- Light Grey (Standard Integral Color)
- Painted

EndPlate (Aluminum)

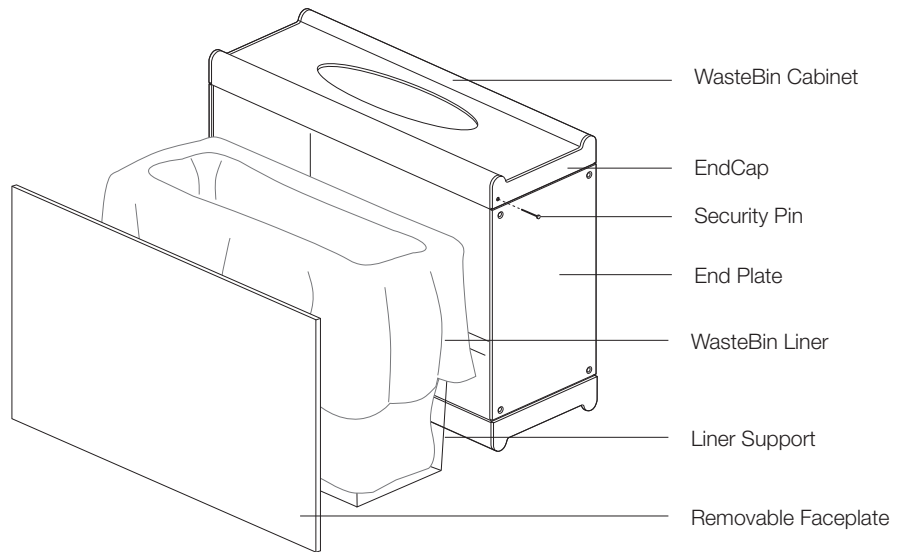
- Satin Anodized

Removable WasteBin Faceplate

- Integrally Colored Plastic / Kydex®
 - #52070 Light Grey
 - #32060 Mystic Green
 - #42110 Twilight Blue
- Satin Anodized Aluminum
- Acrylic with Simulated Wood Vinyl
 - DWM1 Maple
 - DWW2 Walnut
 - DWO3 Oak
 - DWC4 Cherry
 - DWM5 Mahogany

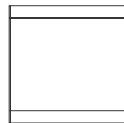
Note Regarding ADA Compliance

HealthView's Series 100 Dispenser Cabinet features a depth of 5.06". If mounted within a facility's "circulation route" (i.e. corridor, stairways, etc.), it must be either 1) mounted so that the bottom of the cabinet is lower than 27" above the floor surface, or 2) accompanied by a HealthView WasteBin below which extends lower than 27" above the floor surface. For more details, please consult APCO.



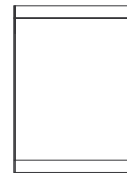
11.75" WasteBin Sizes

Uses 4-gallon trash bags



WasteBin Code
Faceplate Code

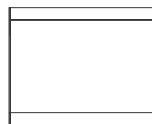
H100WB-111175
H100WBFP-111175
11"(h) x 11.75"(w)



H100WB-161175
H100WBFP-161175
16"(h) x 11.75"(w)

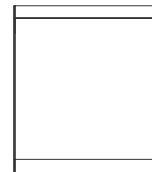
14.25" WasteBin Sizes

Uses 8-gallon trash bags



WasteBin Code
Faceplate Code

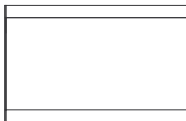
H100WB-111425
H100WBFP-111425
11"(h) x 14.25"(w)



H100WB-161425
H100WBFP-161425
16"(h) x 14.25"(w)

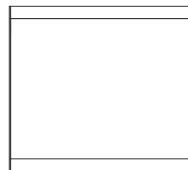
18.25" WasteBin Sizes

Uses 8-gallon trash bags



WasteBin Code
Faceplate Code

H100WB-111825
H100WBFP-111825
11"(h) x 18.25"(w)

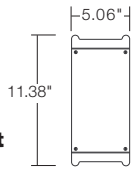


H100WB-161825
H100WBFP-161825
16"(h) x 18.25"(w)

HPS200 Stanchion

Dispenser Sizes

Width: 11.75"
Overall height: 11.38"
Depth: 5.06"



Dispenser Box/Cabinet

- Satin Anodized

Injection Molded EndCap Finishes

- Light Grey (Standard Integral Color)
- Painted

EndPlate (Aluminum)

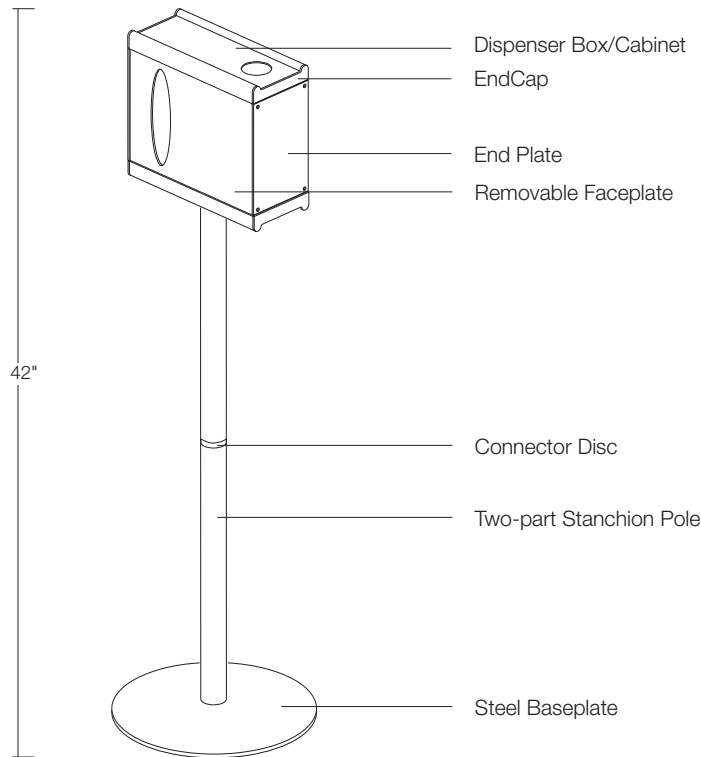
- Satin Anodized

Removable Faceplate Finishes

- Integrally Colored Plastic / Kydex® (KY)
 - #52070 Light Grey
 - #32060 Mystic Green
 - #42110 Twilight Blue
- Satin Anodized Aluminum (AL)
- Acrylic with Decorative Wood Vinyl (DW)
 - DWM1 Maple DWW2 Walnut
 - DWO3 Oak DWC4 Cherry
 - DWM5 Mahogany
- Clear Lens "Pocket" (CL)

Accepts removable, digitally printed paper insert. For models H200FF & H200WF only.
- Digital Output (ADO)

Acrylic with surface-laminated digitally printed graphics.



Approx. weight without contents: 16.25 lbs.

Patent Pending.

Stanchion

Two-part, 1-1/2" diameter aluminum pole with powder-coated steel baseplate.

Stanchion Pole Finishes

- Satin Anodized (Standard)
- Painted (Upcharge)

Baseplate Finishes

- Silver PowerCoated (Standard)
- Painted (Upcharge)

Dispenser Cabinet Code

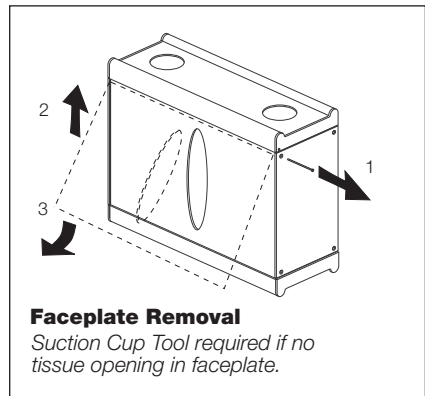
Use dispenser content codes on page 3.9.113.
Example: H200T1F3 would be a dispenser cabinet to house (1) Kimberly Clark Tissue & (1) Purell Hand Foam.

Dispenser Cabinet Faceplate Code

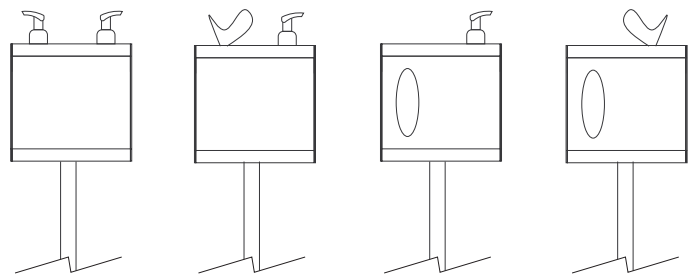
Dispenser content codes on page 3.9.113 will only be needed if there is a cut-out (opening) in the faceplate, i.e. for tissues or mask. Use the corresponding tissue or mask code as needed.

Example: H200FP-T1F would be a dispenser faceplate for a cabinet housing (1) Kimberly Clark Tissue and (1) Hand Sanitizer.

See page 3.9.113 for specific dispenser content product codes.



Stanchion Configurations & Codes



Dispenser Code:	H200-F_F	H200-W_F	H200-T_F	H200-T_W
Faceplate Code:	H200FP-FF	H200FP-WF	H200FP-T_F	H200FP-T_W
Stanchion Code:	H200ST	H200ST	H200ST	H200ST

Kiosk Structure

Aluminum edge profiles with aluminum composite inner structure. See chart below right for available sizes.

Structure Finishes

- Satin Anodized (standard)
- Painted

Poster Display

Graphics are protected behind a non-glare ClearLens.

Dispenser Cabinet & Faceplate

Satin anodized aluminum with plastic end cap. Removable Dispenser Faceplate permits access to dispenser contents for easy restocking.

Faceplate options:

- Kydex (KY)
 - #52070 Light Grey
 - #32060 Mystic Green
 - #42110 Twilight Blue
- Satin Anodized Aluminum (AL)
- Decorative Wood Vinyl (DW)
 - DWM1 Maple DWW2 Walnut
 - DWO3 Oak DWC4 Cherry
 - DWM5 Mahogany

Filler Panels

Removable. Material options:

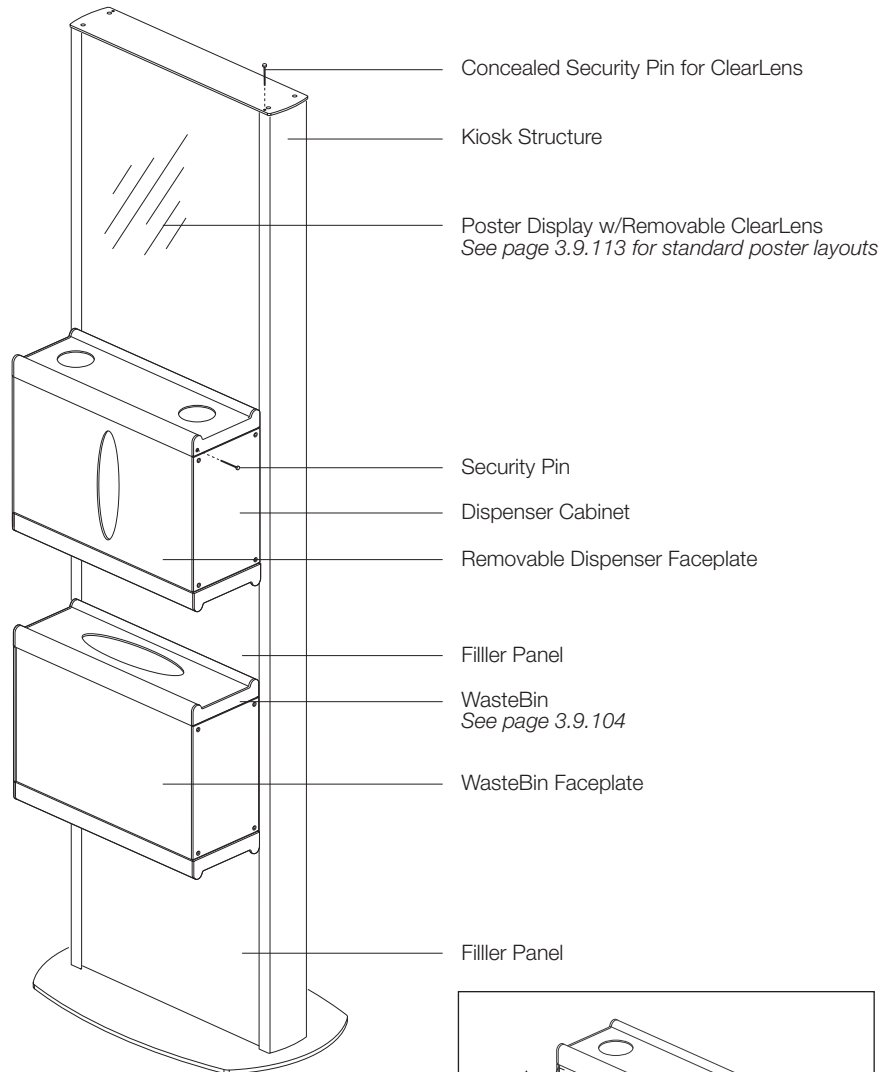
- 1/8" Sintra (SN)
 - Light Grey (standard)
 - Painted (upcharge)
- Satin Anodized Aluminum (AL)
- Acrylic with Decorative Wood Vinyl (DW)
 - M1 Maple C4 Cherry
 - W2 Walnut M5 Mahogany
 - O3 Oak
- ClearLens (CL)

WasteBin & Faceplate

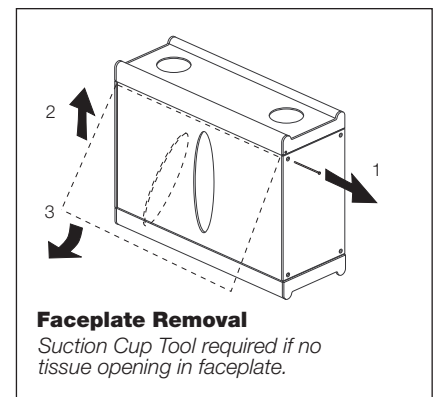
See page 3.9.104 for details. Cabinet is satin anodized aluminum with plastic end cap. Removable faceplate permits access to trash.

Faceplate material options:

- Kydex (KY)
 - #52070 Light Grey
 - #32060 Mystic Green
 - #42110 Twilight Blue
- Satin Anodized Aluminum (AL)
- Decorative Wood Vinyl (DW)
 - DWM1 Maple DWW2 Walnut
 - DWO3 Oak DWC4 Cherry
 - DWM5 Mahogany



Patent Pending.



Single Sided Kiosks

For single sided kiosks, the standard back side is a full-length, removable panel. Options include ClearLens with subsurface poster graphics, decorative wood vinyl or 1/8" solid color panel. Back side displays may also be customized for wayfinding information, advertisements and more.

Double Sided Kiosks

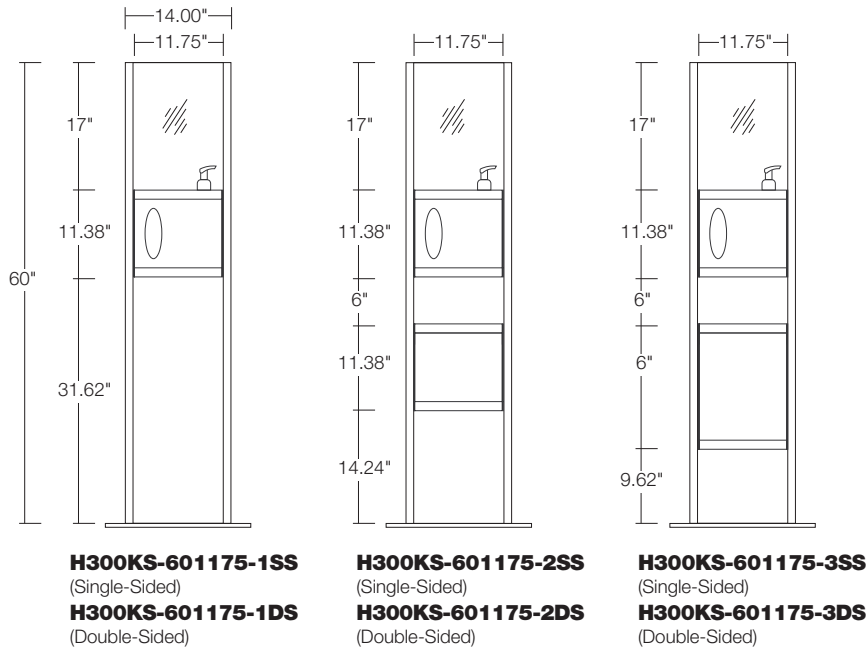
Unless otherwise specified, double-sided kiosks will have identical configurations on both sides.

Standard Kiosk Sizes / Configurations

Product Code	Visible Height	Visible Widths	Dispenser Contents	OD Depth	OD Width
H300KS-601175	60"	11.75"	2	13.75"	18.9375"
H300KS-601425	60"	14.25"	3	15.75"	20.8125"
H300KS-661425	66"	14.25"	3	15.75"	20.8125"
H300KS-661825	66"	18.25"	4	15.75"	24.8125"
H300KS-721825	72"	18.25"	4	15.75"	24.8125"

11.75"(w) x 60"(h) Kiosk

Standard Configurations



Dispenser Cabinet Code

Use dispenser content codes on page 3.9.113.
Example: H300T1F3 would be a dispenser cabinet to house (1) Kimberly Clark Tissue & (1) Purell Hand Foam.

Dispenser Cabinet Faceplate Code

Dispenser content codes on page 3.9.113 will only be needed if there is a cut-out (opening) in the faceplate, i.e. for tissues or masks. Use the corresponding tissue or mask code as needed.

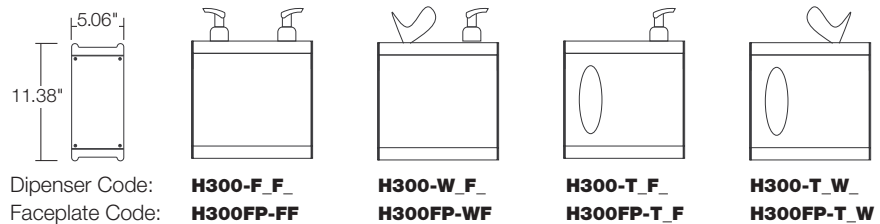
Example: H300FP-T1F would be a dispenser faceplate for a cabinet housing (1) Kimberly Clark Tissue and (1) Hand Sanitizer.

See page 3.9.113 for specific dispenser content product codes.

Filler Panels Decorative Wood Codes

- DWM1 Maple
- DWW2 Walnut
- DWO3 Oak
- DWC4 Cherry
- DWM5 Mahogany

11.75" Dispenser Configurations & Codes



F = Hand Foam/Gel W = Hand Wipes T = Facial Tissues M = Masks

11.75" Waste Bin Sizes & Codes

Height	Waste Bin Code	Faceplate Code
11.38"	H300WB-111175	H300WBFP-111175
16"	H300WB-161175	H300WBFP-161175

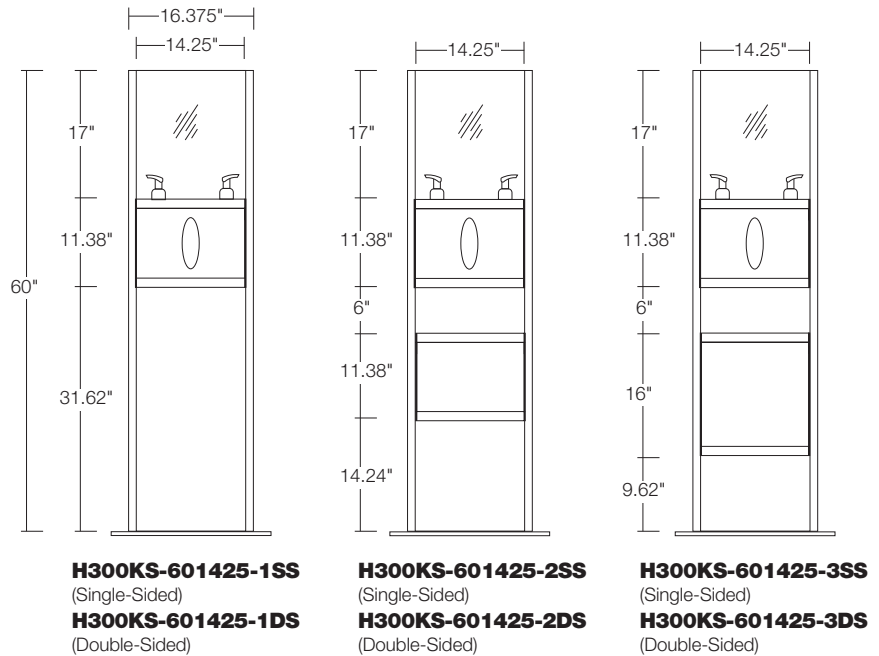
11.75" Insert/Filler Panel Sizes & Codes

Height	Clear Lens	Decorative Wood	Sintra (Plastic)
6"	H300I-061175-CL	H300I-061175-DW	H300I-061175-SN
9.62"	H300I-09621175-CL	H300I-09621175-DW	H300I-09621175-SN
14.24"	H300I-14241175-CL	H300I-14241175-DW	H300I-14241175-SN
17"	H300I-171175-CL	H300I-171175-DW	H300I-171175-SN
31.62"	H300I-31621175-CL	H300I-31621175-DW	H300I-31621175-SN
60"*	H300I-601175-CL	H300I-601175-DW	H300I-601175-SN

* 60" panel is for BACKSIDE of a single-sided kiosk.

14.25"(w) x 60"(h) Kiosk

Standard Configurations



Dispenser Cabinet Code

Use dispenser content codes on page 3.9.113.

Example: H300T1F3 would be a dispenser cabinet to house (1) Kimberly Clark Tissue & (1) Purell Hand Foam.

Dispenser Cabinet Faceplate Code

Dispenser content codes on page 3.9.113 will only be needed if there is a cut-out (opening) in the faceplate, i.e. for tissues or mask. Use the corresponding tissue or mask code as needed.

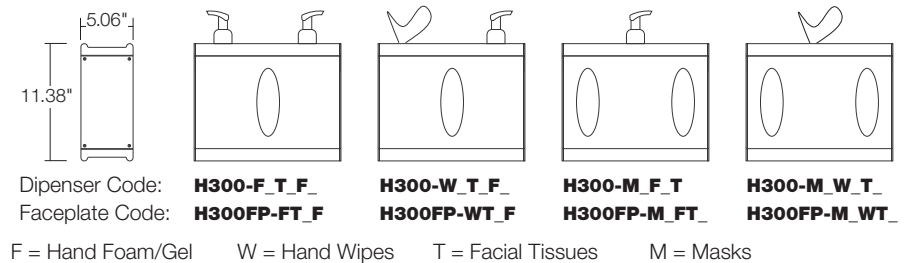
Example: H300FP-T1F would be a dispenser faceplate for a cabinet housing (1) Kimberly Clark Tissue and (1) Hand Sanitizer.

See page 3.9.113 for specific dispenser content product codes.

Filler Panels Decorative Wood Codes

- DWM1 Maple
- DWW2 Walnut
- DWO3 Oak
- DWC4 Cherry
- DWM5 Mahogany

14.25" Dispenser Configurations & Codes



14.25" Waste Bin Sizes & Codes

Height	Waste Bin Code	Faceplate Code
11.38"	H300WB-111425	H300WBFP-111425
16"	H300WB-161425	H300WBFP-161425

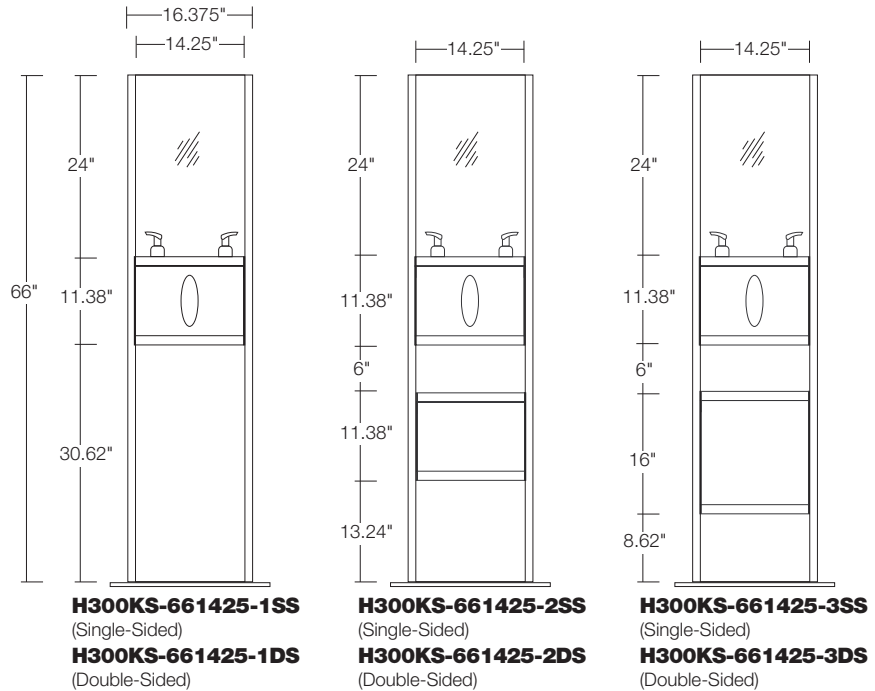
14.25" Insert/Filler Panel Sizes & Codes

Height	Clear Lens	Decorative Wood	Sintra (Plastic)
6"	H300I-061425-CL	H300I-061425-DW	H300I-061425-SN
9.62"	H300I-09621425-CL	H300I-09621425-DW	H300I-09621425-SN
14.24"	H300I-14241425-CL	H300I-14241425-DW	H300I-14241425-SN
17"	H300I-171425-CL	H300I-171425-DW	H300I-171425-SN
31.62"	H300I-31621425-CL	H300I-31621425-DW	H300I-31621425-SN
60**	H300I-601425-CL	H300I-601425-DW	H300I-601425-SN25

* 60" panel is for BACKSIDE of a single-sided kiosk.

14.25"(w) x 66"(h) Kiosk

Standard Configurations



Dispenser Cabinet Code

Use dispenser content codes on page 3.9.113.
Example: H300T1F3 would be a dispenser cabinet to house (1) Kimberly Clark Tissue & (1) Purell Hand Foam.

Dispenser Cabinet Faceplate Code

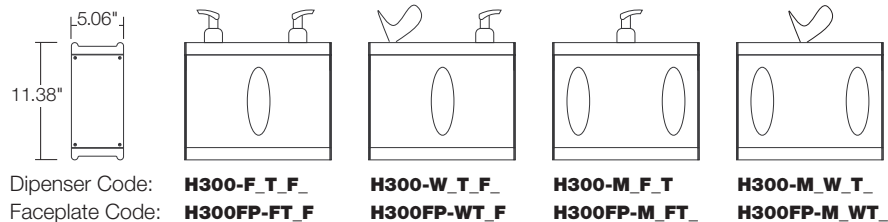
Dispenser content codes on page 3.9.113 will only be needed if there is a cut-out (opening) in the faceplate, i.e. for tissues or mask. Use the corresponding tissue or mask code as needed.
Example: H300FP-T1F would be a dispenser faceplate for a cabinet housing (1) Kimberly Clark Tissue and (1) Hand Sanitizer.

See page 3.9.113 for specific dispenser content product codes

Filler Panels Decorative Wood Codes

- DWM1 Maple
- DWW2 Walnut
- DWQ3 Oak
- DWC4 Cherry
- DWM5 Mahogany.

14.25" Dispenser Configurations & Codes



F = Hand Foam/Gel W = Hand Wipes T = Facial Tissues M = Masks

14.25" Waste Bin Sizes & Codes

Height	Waste Bin Code	Faceplate Code
11.38"	H300WB-111425	H300WBFP-111425
16"	H300WB-161425	H300WBFP-161425

14.25" Insert/Filler Panel Sizes & Codes

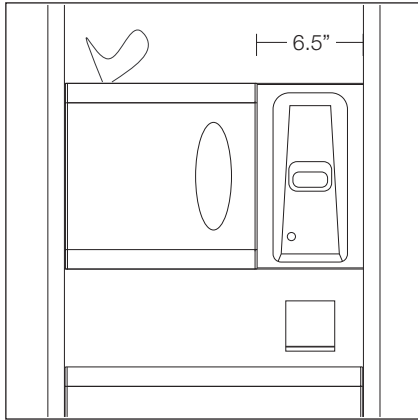
Height	Clear Lens	Decorative Wood	Sintra (Plastic)
6"	H300I-061425-CL	H300I-061425-DW	H300I-061425-SN
9.62"	H300I-09621425-CL	H300I-09621425-DW	H300I-09621425-SN
14.24"	H300I-14241425-CL	H300I-14241425-DW	H300I-14241425-SN
17"	H300I-171425-CL	H300I-171425-DW	H300I-171425-SN
31.62"	H300I-31621425-CL	H300I-31621425-DW	H300I-31621425-SN
66**	H300I-661425-CL	H300I-661425-DW	H300I-661425-SN

* 66" panel is for BACKSIDE of a single-sided kiosk.

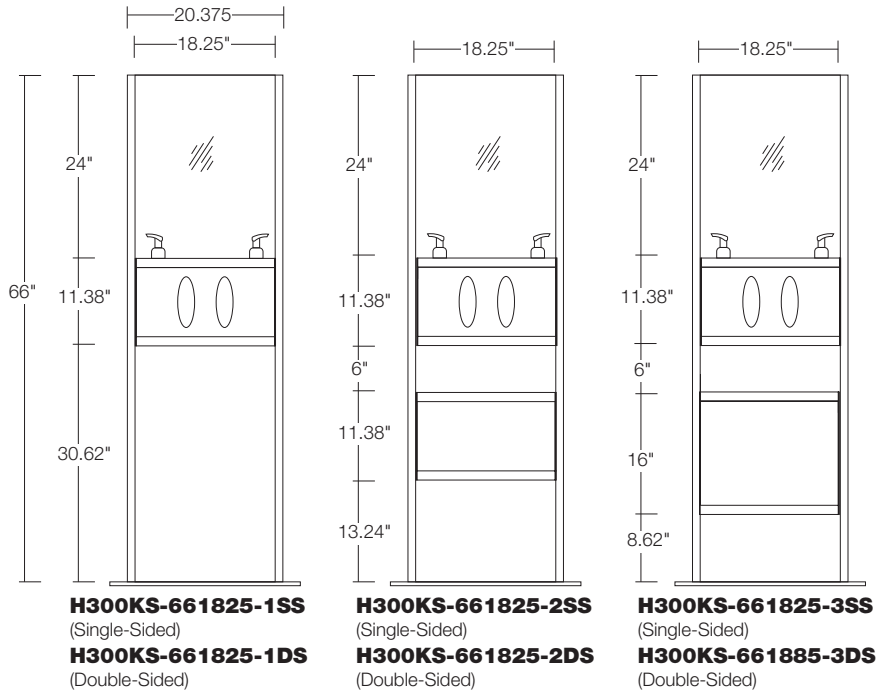
18.25"(w) x 66"(h) Kiosk

Dispenser Option

A full four-compartment dispenser cabinet may be replaced with a two-compartment cabinet (see pag 3.9.107) and a surface-mounted manual or hands-free gel/foam dispenser (shown below, by others). Consult APCO for compatible brands of surface-mounted dispensers.



Standard Configurations



Dispenser Cabinet Code

Use dispenser content codes on page 3.9.113.
Example: H300T1F3 would be a dispenser cabinet to house (1) Kimberly Clark Tissue & (1) Purell Hand Foam.

Dispenser Cabinet Faceplate Code

Dispenser content codes on page 3.9.113 will only be needed if there is a cut-out (opening) in the faceplate, i.e. for tissues or mask. Use the corresponding tissue or mask code as needed.

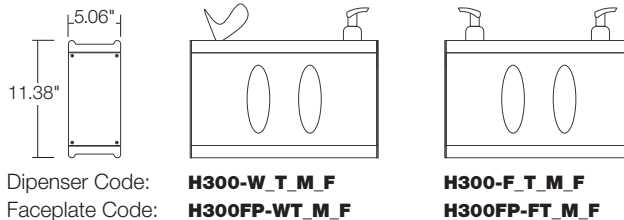
Example: H300FP-T1F would be a dispenser faceplate for a cabinet housing (1) Kimberly Clark Tissue and (1) Hand Sanitizer.

See page 3.9.113 for specific dispenser content product codes.

Filler Panels Decorative Wood Codes

- DWM1 Maple
- DWW2 Walnut
- DWO3 Oak
- DWC4 Cherry
- DWM5 Mahogany

18.25" Dispenser Configurations & Codes



F = Hand Foam/Gel W = Hand Wipes T = Facial Tissues M = Masks

18.25" Waste Bin Sizes & Codes

Height	Waste Bin Code	Faceplate Code
11.38"	H300WB-111825	H300WBFP-111425
16"	H300WB-161825	H300WBFP-161425

18.25" Insert/Filler Panel Sizes & Codes

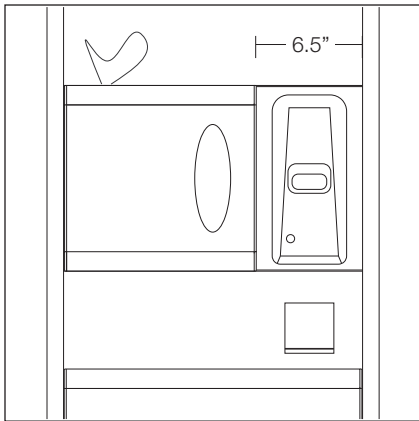
Height	Clear Lens	Decorative Wood	Sintra (Plastic)
6"	H300I-061825-CL	H300I-061825-DW	H300I-061825-SN
9.62"	H300I-09621825-CL	H300I-09621825-DW	H300I-09621825-SN
14.24"	H300I-14241825-CL	H300I-14241825-DW	H300I-14241825-SN
17"	H300I-171825-CL	H300I-171825-DW	H300I-171825-SN
31.62"	H300I-31621825-CL	H300I-31621825-DW	H300I-31621825-SN
66"	H300I-661825-CL	H300I-661825-DW	H300I-661825-SN25

* 66" panel is for BACKSIDE of a single-sided kiosk.

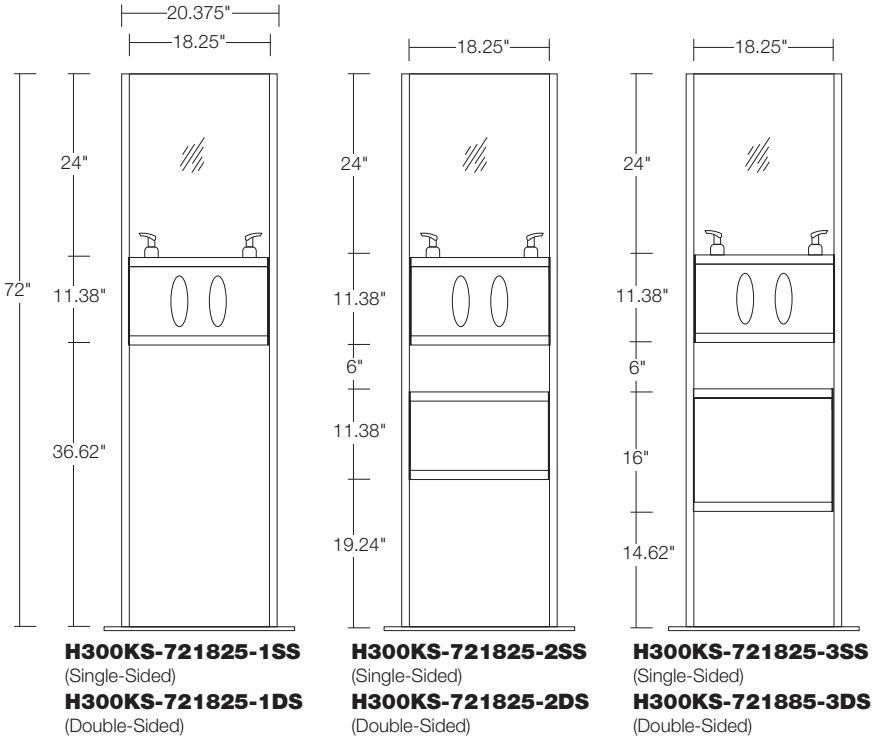
18.25"(w) x 72"(h) Kiosk

Dispenser Option

A full four-compartment dispenser cabinet may be replaced with a two-compartment cabinet (see pag 3.9.107) and a surface-mounted manual or hands-free gel/foam dispenser (by others). Consult APCO for compatible brands of surface-mounted dispensers.



Standard Configurations



Dispenser Cabinet Code

Use dispenser content codes on page 3.9.113.
Example: H300T1F3 would be a dispenser cabinet to house (1) Kimberly Clark Tissue & (1) Purell Hand Foam.

Dispenser Cabinet Faceplate Code

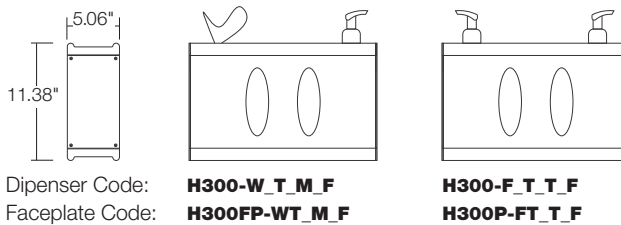
Dispenser content codes on page 3.9.113 will only be needed if there is a cut-out (opening) in the faceplate, i.e. for tissues or mask. Use the corresponding tissue or mask code as needed.
Example: H300FP-T1F would be a dispenser faceplate for a cabinet housing (1) Kimberly Clark Tissue and (1) Hand Sanitizer.

See page 3.9.113 for specific dispenser content product codes.

Filler Panels Decorative Wood Codes

- DWM1 Maple
- DWW2 Walnut
- DWO3 Oak
- DWC4 Cherry
- DWM5 Mahogany

18.25" Dispenser Configurations & Codes



F = Hand Foam/Gel W = Hand Wipes T = Facial Tissues M = Masks

18.25" Waste Bin Sizes & Codes

Height	Waste Bin Code	Faceplate Code
11.38"	H300WB-111825	H300WBFP-111425
16"	H300WB-161825	H300WBFP-161425

18.25" Insert/Filler Panel Sizes & Codes

Height	Clear Lens	Decorative Wood	Sintra (Plastic)
6"	H300I-061825-CL	H300I-061825-DW	H300I-061825-SN
9.62"	H300I-09621825-CL	H300I-09621825-DW	H300I-09621825-SN
14.24"	H300I-14241825-CL	H300I-14241825-DW	H300I-14241825-SN
17"	H300I-171825-CL	H300I-171825-DW	H300I-171825-SN
31.62"	H300I-31621825-CL	H300I-31621825-DW	H300I-31621825-SN
72"*	H300I-661825-CL	H300I-721825-DW	H300I-721825-SN

* 72" panel is for BACKSIDE of a single-sided kiosk.

HealthView TUBE

Won't break your budget...or your facility's image!

The latest addition to the HealthView line, the TUBE is a uniquely shaped infection control station designed to house a range of hand sanitizing products and make them more accessible within a facility. The TUBE's unique cylindrical design, customizable & updatable display area and range of decorative finishes make it the perfect infection control solution!

Patent Pending

Compatible Hand Sanitizer Products

Each HealthView TUBE order includes modular adapters (lifters) allowing the TUBE to accommodate any of the standard sanitizer products listed below. If you would like to use the TUBE with a hand sanitizer product not shown here, please contact APCO with the exact dimensions of the sanitizer bottle you are using. APCO may also require an actual sample of that product in order to determine compatibility 100%.

F2 Endure 320 Sanitizing Hand Rinse
by EcoLab, Inc.
18oz, Alcohol Based
Product #61430370

F3 Purell Foaming Hand Sanitizer
18oz, Alcohol Based
Product #5792 or #5798

F4 3M Avagard Hand Antiseptic
16oz, Alcohol Based
Product #9222

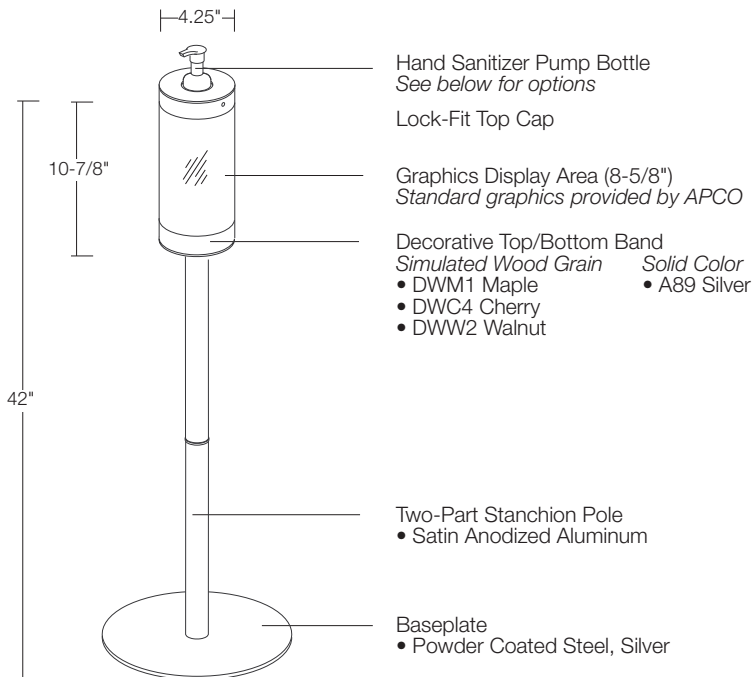
F5 Soapopular Foaming Hand Sanitizer
18.5oz, Alcohol-Free
Product #SP0550

Important!

APCO is not a dealer or distributor of any of the sanitizer products shown on this page, nor do we make any claims or warranties pertaining to their quality, safety or effectiveness in the actual control of disease or infection.

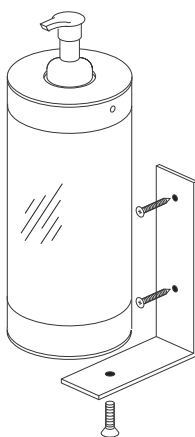
Trademark Notice

Any of the trademarks mentioned, shown or cited are the property of their respective owners. Neither APCO nor the HealthView product is endorsed by or affiliated with any of the holders of any such rights or trademarks.

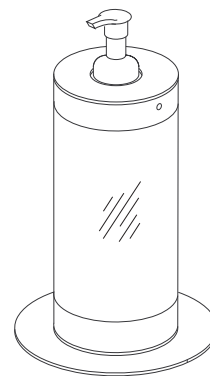


HPSTUBE-FS
Free Standing Stanchion

Other Mounting Options



HPSTUBE-WM
Wall Mount



HPSTUBE-CT
Counter Top
Integrally colored
non-slip base.

Note Regarding ADA Compliance

The HealthView TUBE Features a depth/diameter of 4.75". If wall-mounted within a facility's "circulation route", the bottom of the assembly must be positioned less than 27" from the floor surface. For more details, please consult APCO.

Dispenser Contents

Important Information Regarding Dispenser Contents

The HealthView product is pre-engineered to accommodate a small range of standard infection control products, all of which are included on this page. If you wish to incorporate another product within a HealthView dispenser, APCO will need detailed specifications of that particular product's packaging in order to verify compatibility with the HealthView system. In some cases, APCO will require a physical sample of that infection control product.

Unless the HealthView product is ordered via the HealthView Essentials offering, APCO does not include infection control products along with the HealthView system.

APCO is not a dealer or distributor of any infection control product, nor do we officially endorse their quality, effectiveness or safety. APCO strongly suggests that clients conduct their own research and evaluate their infection control product selections before use.

The standard contents shown on this page may be purchased at numerous locations. By purchasing these products directly from the manufacturers' authorized dealers, one will obtain the best pricing and delivery times.

Custom Contents

Gloves and other custom dispenser contents must be approved by APCO Engineering.

Trademark Notice

Any of the trademarks mentioned, shown or cited are the property of their respective owners. Neither APCO nor the HealthView product is endorsed by or affiliated with any of the holders of any such rights or trademarks.

Standard Hand Sanitizers



F2
Endure 320 by EcoLab
Alcohol Based Waterless
Hand Rise
www.ecolab.com
18 FL. OZ.



F3
Purell
Foaming Hand Sanitizer
Alcohol Based
Product # 5792 or # 5798
(#5798 is a skin nourishing
formula)
www.healthcare.gojo.com
18 FL. OZ.



F4
3M Avagard D
Hand Antiseptic
Alcohol Based
Product # 9222
www.3M.com/avagard
16 FL. OZ.



F5
Soapopular
Hand Sanitizer
Alcohol Free
Product #SP0550
www.sopopular.com
18.5 FL. OZ.

Face Masks



M1
Kimberly-Clark TECNOL
Procedure Masks
www.kcprofessional.com
Product #47080

Hand Wipes



W1
PDI Sani-Dex or Sani-Hands
Alcohol Based Wipes
Product # P13472
www.pdipdi.com
135 wipes/container

Facial Tissues



T1
Kimberly-Clark Kleenex
Brand Tissues
www.kcprofessional.com
Product #21606

Because of the design flexibility of the HealthView product, the graphics options are vast and may vary from product to product depending on the selection of finishes. For that reason, it is not feasible to show every option for the graphics and poster displays.

Included here are a few of the graphics options which have been selected for the most common HealthView sizes and configurations. Slight adjustments to colors and design details can be made to best compliment the finishes you have selected for your HealthView product. For specific, custom graphics requests, please consult your APCO representative.

HPS100 Wall Mount Common Poster Graphics Layouts



HPS200 Stanchion Common Faceplate Graphics Layouts



— Cutout for Tissues if applicable.

HPS300 Kiosk Common Poster Graphics Layouts

