

FullView is a low-profile graphic display system, representing the next level in sign systems compatible with digital printing output. Environmentally friendly, tamper resistant and economical, yet design flexible and comprehensive, FullView is without equal.

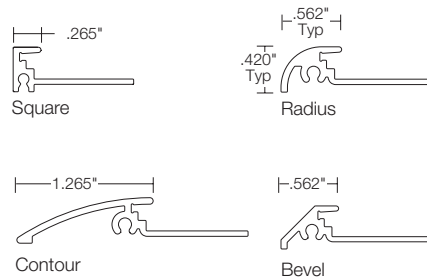


How it Works?

FullView is 100% modular and updatable. There are a wide range of insert and graphics options, sizes, colors, finishes and ADA solutions to suit virtually every sign system need. FullView may also be used in conjunction with APCO's comprehensive Accord 15 sign system (section 4.2), thus truly making it a Total System Solution.

Graphics are protected by a non-glare acrylic lens and are changed by removing a unique, concealed Locking Pin using a special Magnet and Suction Cup Tool provided by APCO.

Profile Shapes

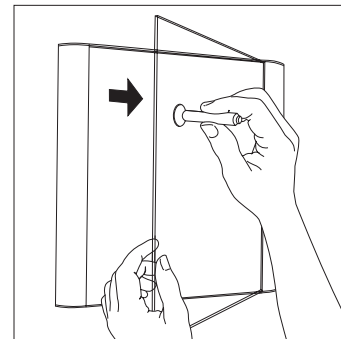
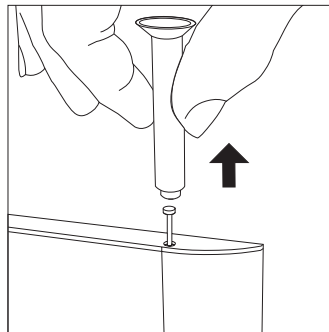


Holder Finishes

- Standard*
Natural Satin Anodized
- Custom*
Polyurethane Coated
- 44+ standard colors
- custom

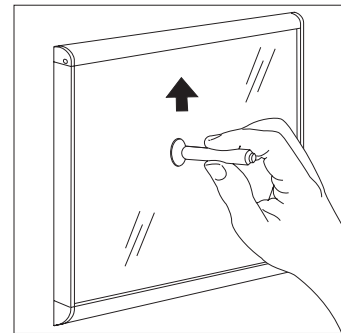
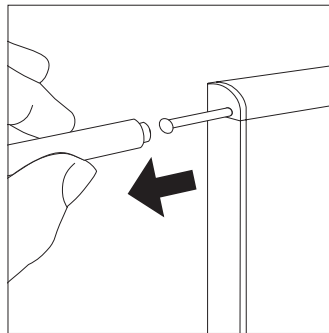
Vertical Configuration

A concealed Locking Pin, located in the upper right corner of the sign, is removed using a special Magnet Tool. Sign Insert (either Clear Lens or Opaque Plaque) is shifted to the right, and then, using Suction Cup tool provided, pulled outward, removing it from the frame. After ClearLens has been removed from the frame, the display may then be changed.



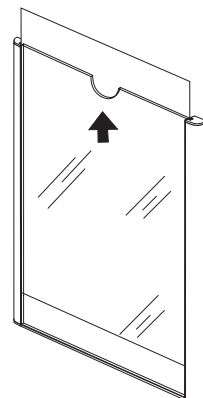
Horizontal Configuration

A concealed Locking Pin, located in the upper left corner of the sign, is removed using a special Magnet Tool. Note: A Locking Pin is optional when using the FullView Horizontal Configuration. Using the special Suction Cup Tool provided, the Sign Insert (either Clear Lens or Opaque Plaque) is lifted up. Once the Insert is lifted up, it may be pulled outward, removing it from the frame. The display may then be changed.



Top Access

When inserts are changed frequently, a Top-Access Assembly option makes the process fast and easy.



Clear Lens

FVCL

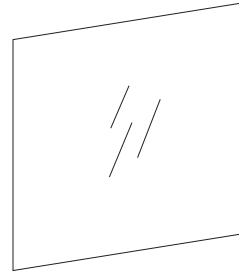
3mm (1/8") Non-Glare Acrylic is used to protect paper displays with Laser or Ink-Jet Printed graphics. Laser printing is generally the preferred printing method for smaller displays, both in full color or black/white. APCO also has full capabilities to provide large-format, laminated Ink Jet prints compatible with the FullView system, thus truly broadening the design options and display quality available.

APCO's SignWord Pro software and paper supplies are well suited for the creation of FullView paper graphics. The system is easy

to use, thus simplifying and expediting the task of sign system maintenance.

Stock SignWord paper sizes include the following, but displays may also be easily cut to size, thus compatible with a broad range of FullView modules:

- SWAR8511 (Letter - 8-1/2" x 11")
- SWAR8514 (Legal - 8-1/2" x 14")
- SWAR1117 (Tabloid - 11" x 17")



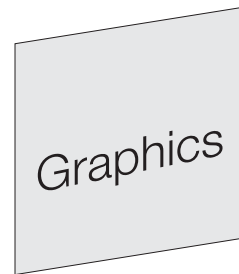
SignWord Paper Colors

A72 Bone White (A00 White on Reverse)
A43 Putty (A94 Sand on Reverse)
A78 Pearl Grey

Opaque Plaque

FVOP

3mm (1/8") Non-Glare Acrylic with a solid background color. Silk-screen printed graphics and background color are either sub-surface (standard) for vandal resistance, or 1st surface (optional).



ADA Plaque

3mm (1/8") plaque with photosensitive surface. Background of the plastic photosensitive surface is etched away, leaving raised characters and Braille. Available for all standard FullView modules up to 22" x 17".

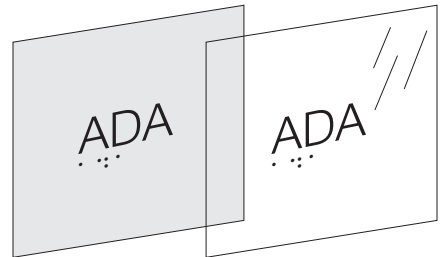
Important: All imprinting for ADA plaques is 1st Surface unless otherwise specified and approved by APCO.

FVOP-AP

Opaque ADA Plaque
(with solid background color - 1st surface)
Available for all standard FullView modules.

FVCL-AP

Clear ADA Plaque
(compatible with subsurface displays)
Available for all standard FullView modules.



ADA Band

FVOP-AB (Opaque)

3mm (1/8") (standard) plaque with photosensitive surface. Background of the plastic photosensitive surface is etched away, leaving raised characters and Braille.

The ADA Band is permanently positioned at the bottom of a FullView module, generally below a modular Clear Lens with a changeable graphic display.

Optionally, the ADA Band may be separated from the top display via a .070" anodized aluminum Divider Profile.



Decorative Band*

FVDW Decorative Wood

A high-quality vinyl, simulating various true wood finishes, is clad to a rigid plaque, and positioned at the bottom of the FullView module.

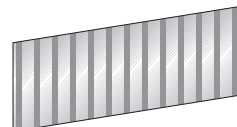
- DWM1** Maple
- DWW2** Walnut
- DWO3** Oak
- DWC4** Cherry
- DWM5** Mahogany

FVDM Decorative Metal

One of several types of metal inserts is adhered to a rigid plaque and positioned at the bottom of the FullView module.

- DMP3** MicroPerf (Satin Anodized Finish)
- DMS4** Dimpled (Silver Finish)
- DMS5** Ribbed (Silver Finish)

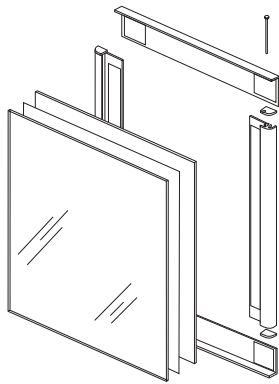
* All Decorative Bands feature a .070" anodized aluminum Divider Profile at the top.



Vertical Modules

Standard Wall Mount Sizes

Vertical Wall Mount Modules



FV(V)

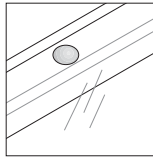
VT - Double Sided Vinyl Tape Attachment (Standard)

MF - Mechanical Fastening via concealed screws. (Standard for large modules, indicated by an "MF" suffix in the product code. Optional for small modules)

Note: Complete installation instructions are available from APCO or at apcosigns.com.

Retention Dimple FVRD

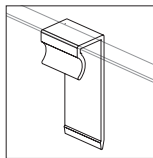
(Standard for Large Modules)
For large FullView modules, a discreet dimple(s) is placed into the aluminum closure extrusion at the top and



bottom of the sign. This dimple helps to prevent the larger FullView inserts from possibly bowing outward and thus also helps maintain proper compression of the display material.

Retention Clip FVRC

(Optional)
For large FullView modules, in addition to the standard Retention Dimple, a discreet, Retention Clip is available to provide extra security in retaining the insert material within the frame. The clear matte plastic clip snaps onto the center of the aluminum closure extrusion at the top and bottom of the sign, and is easily removed when display changes are necessary. This option can be easily retro-fitted into existing displays.



4" (100 mm) Wide Modules



Standard Heights	Code	Insert Height	Insert Width
4"	FV_0404(V)	4.08"	4.08"
6"	FV_0604(V)	6.0"	4.08"
8"	FV_0804(V)	8.0"	4.08"

6" (150 mm) Wide Modules



Standard Heights	Code	Insert Height	Insert Width
6"	FV_0606(V)	6"	6"
8"	FV_0806(V)	8.0"	6"
10"	FV_1006(V)	10.0"	6"

8 1/2" Wide Modules



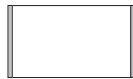
Standard Heights	Code	Insert Height	Insert Width
5.5"	FV_5585(V)	5.5"	8.5"
6.5"	FV_6585(V)	6.5"	8.5"
8.5"	FV_8585(V)	8.5"	8.5"
11"	FV_1185(V)	11"	8.5"
14"	FV_1485(V)	14"	8.5"

11" Wide Modules



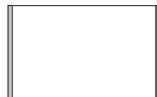
Standard Heights	Code	Insert Height	Insert Width
8.5"	FV_8511(V)	8.5"	11"
12"	FV_1211(V)	12"	11"
14"	FV_1411(V)	14"	11"
17"	FV_1711(V)	17"	11"

14" Wide Modules



Standard Heights	Code	Insert Height	Insert Width
8.5"	FV_8514(V)	8.5"	14"

17" Wide Modules

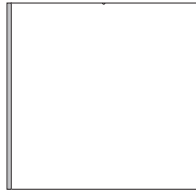


Standard Heights	Code	Insert Height	Insert Width
11"	FV_1117(V)	8.5"	17"
14"	FV_1417(V)	14"	17"
17" *	FV_1717(V)MF *	17"	17"
22" *	FV_2217(V)MF *	22"	17"

* Features Retention Dimple. Retention Clip is optional (see 4.3.103).

Vertical Wall Mount Modules cont.

22" Wide Modules



Standard Heights	Code	Insert Height	Insert Width
22" *	FV_2222(V)MF *	22"	22"
30" *	FV_3022(V)MF *	30"	22"

* Features Retention Dimple. Retention Clip is optional (see 4.3.103).

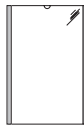
Slider Modules



Slider
1-1/8" (30mm)

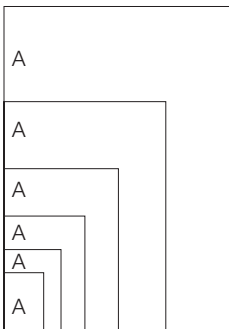
Standard Heights	Standard Widths	Code	Insert Height	Insert Width
7"	6"	FV_0706(V)SL	6"	6"
9.6"	8.5"	FV_9685(V)SL	8.5"	8.5"

Top Access Modules



Standard Heights	Standard Widths	Code	Insert Size
11"	8.5"	FV_1185(V)TA	11" x 8.5"
14"	8.5"	FV_1485(V)TA	14" x 8.5"
17"	11"	FV_1711(V)TA	17" x 11"

Metric / International A-Size Modules



Standard Assembly



A Size	Code	Insert Size
A1 *	FV_A1P(V)MF *	A1 (841 x 594)
A2 *	FV_A2P(V)MF *	A2 (594 x 420)
A3	FV_A3P(V)	A3 (420 x 297)
A4	FV_A4P(V)	A4 (297 x 210)
A5	FV_A5P(V)	A5 (210 x 148)
A6	FV_A6P(V)	A6 (150 x 103)

* Requires Retention Dimple. Retention Clip is optional (see 4.3.103).

Top Access

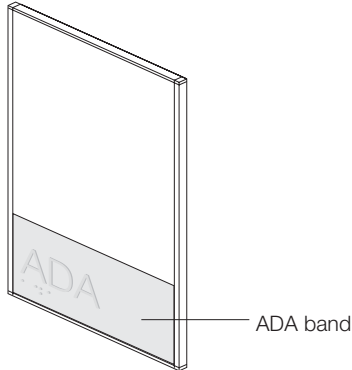


A Size	Code	Insert Size
A3	FV_A3TA(V)TA	A3 (420 x 297)
A4	FV_A4TA(V)TA	A4 (297 x 210)

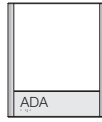
Vertical Modules

ADA Band Wall Mount Modules

ADA Band Modules



ADA Band Modules

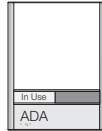


Size (h x w)	Code	Display Size	ADA Band Height
6" x 4"	FV_0604(V)A2.0	4.08" x 4.08"	2"
8" x 6"	FV_0806(V)A2.0	6" x 6"	2"
10" x 6"	FV_1006(V)A2.0	8" x 6"	2"
6.5" x 8.5"	FV_6585(V)A2.0	4.5" x 8.5"	2"
11" x 8.5"	FV_1185(V)A2.5	8.5" x 8.5"	2.5"
14" x 8.5"	FV_1485(V)A3.0	11" x 8.5"	3"
12" x 11"	FV_1211(V)A3.5	8.5" x 11"	3.5"
14" x 11"	FV_1411(V)A2.0	12" x 11"	2"

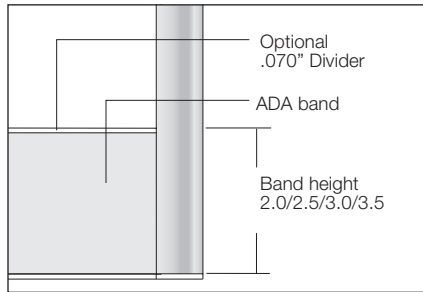
ADA Band FVOP-AB (Opaque)

3mm (1/8") (standard) plaque with photosensitive surface.

ADA Band Modules w/Slider



Size (h x w)	Code	Display Size	ADA Band Height
9" x 6"	FV_0906(V)A2.0SL	6" x 6"	2"
12" x 8.5"	FV_1285(V)A2.5SL	8.5" x 8.5"	2.5"
15" x 8.5"	FV_1585(V)A3.0SL	11" x 8.5"	3"



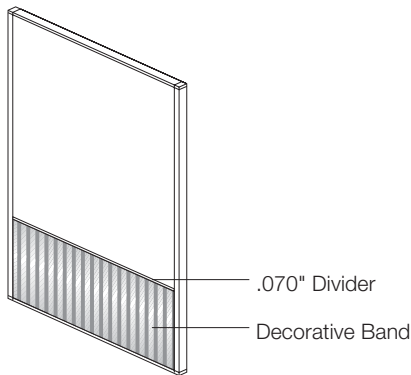
Optional .070" anodized aluminum Divider Profile may be used to separate ADA Band from the top display.

ADA Band Top Access Module



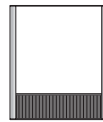
Size (h x w)	Code	Display Size	ADA Band Height
14" x 8.5"	FV_1485(V)A3.0TA	11" x 8.5"	3"

Decorative Band Modules



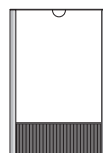
FVDW Decorative Wood
FVDM Decorative Metal

Decorative Band Modules

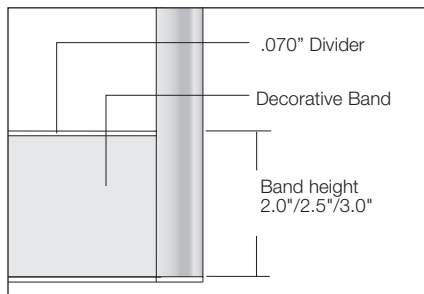


Size (h x w)	Code	Display Size	Deco Band Height
6" x 4"	FV_0604(V)D_D2.0	4.08" x 4.08"	2"
8" x 6"	FV_0806(V)D_D2.0	6" x 6"	2"
10" x 6"	FV_1006(V)D_2.0	8" x 6"	2"
6.5" x 8.5"	FV_6585(V)D_D2.0	4.5" x 8.5"	2"
11" x 8.5"	FV_1185(V)D_D2.5	8.5" x 8.5"	2.5"
14" x 8.5"	FV_1485(V)D_D3.0	11" x 8.5"	3"
12" x 11"	FV_1211(V)D_D3.5	8.5" x 11"	3.5"
14" x 11"	FV_1411(V)D_D2.0	12" x 11"	2"

Decorative Band Top Access Modules



Size (h x w)	Code	Display Size	Deco Band Height
14" x 8.5"	FV_1485(V)D_D3.0TA	11" x 8.5"	3"



All Decorative Bands feature a .070" anodized aluminum Divider Profile at the top.

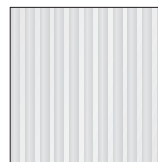
Decorative Wood Options

- DWM1 Maple
- DWW2 Walnut
- DWO3 Oak
- DWC4 Cherry
- DWM5 Mahogany

Decorative Metal Options



DMP3 MicroPerf
Satin Anodized Finish

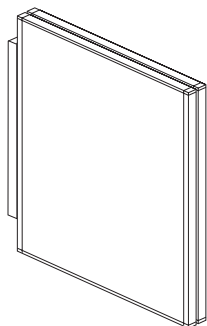


DMP5 Ribbed
Silver Finish



DMS4 Dimpled
Silver Finish

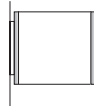
Projection Wall Mount



FVPWM

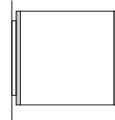
Two FullView modules are attached back-to-back via a unique, high-quality aluminum wall projection extrusion with a square profile (code: CMT-M).

8-1/2" Wide Projection Mount Modules



Standard Heights	Code	Insert Height	Insert Width
8.5"	FV_8585(V)PWM	8.5"	8.5"
11"	FV_1185(V)PWM	11"	8.5"

11" Wide Projection Mount Modules



Standard Heights	Code	Insert Height	Insert Width
12"	FV_1211(V)PWM	12"	11"
14"	FV_1411(V)PWM	14"	11"
17"	FV_1711(V)PWM	17"	11"

Vertical Modules Counter Top & Literature Holders

Counter Top Modules (without Literature Holders)



Single-Sided modules feature one FullView sign attached to a formed aluminum counter-top stand, displayed at an 18° angle.

Double-Sided modules feature two FullView signs attached back-to-back, displayed vertically via a unique counter-top stand.

Single Sided Counter-Top Modules



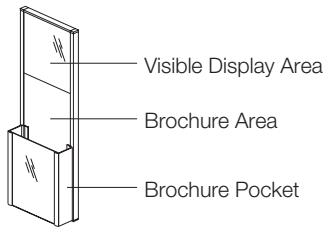
Standard Heights	Code	Insert Height	Insert Width
8.5"	FV_8585(V)CTS	8.5"	8.5"
8.5"	FV_8511(V)CTS	8.5"	11"
11"	FV_1185(V)CTS	11"	8.5"

Double Sided Counter-Top Modules



Standard Heights	Code	Insert Height	Insert Width
8.5"	FV_8585(V)CTD	8.5"	8.5"
8.5"	FV_8511(V)CTD	8.5"	11"
11"	FV_1185(V)CTD	11"	8.5"

Literature Holders

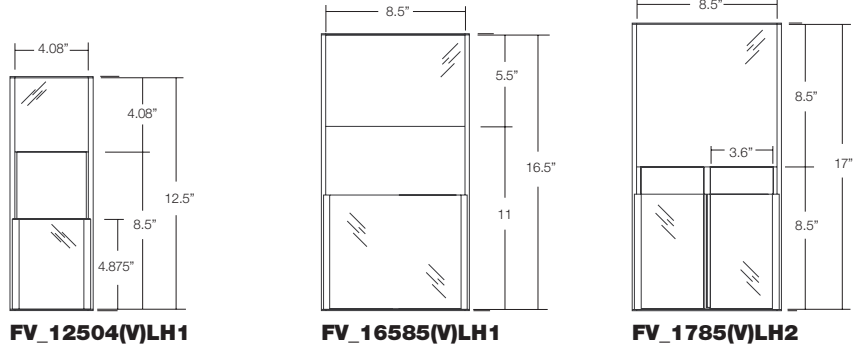


FVLH

Constructed of anodized aluminum edge profiles and a non-glare PETG cover, FullView Literature Holders provide a unique, attractive solution for the display of 8-1/2" x 4" or 11" x 8-1/2" brochures.

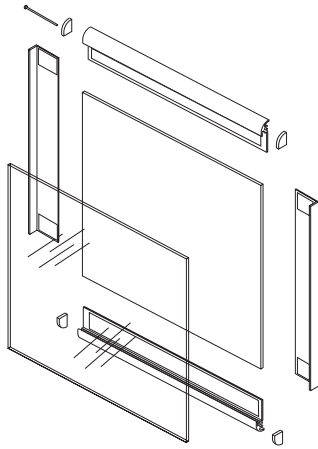
Mounting options include Wall, Counter-Top, or Stanchion (see page 4.3.111).

Literature Holders



Product Code / Description	Overall Height	Visible Display Area*	Brochure Height	# Brochure Pockets
FV_12504(V)LH1 Wall Mount	12 1/2"	4.08" x 4.08"	8 1/2"	1
FV_12504(V)LH1CTS Counter Top Single Sided	12 1/2"	4.08" x 4.08"	8 1/2"	1
FV_12504(V)LH1CTD Counter Top Double Sided	12 1/2"	4.08" x 4.08"	8 1/2"	2
FV_16585(V)LH1 Wall Mount	16 1/2"	5 1/2" x 8 1/2"	11"	1
FV_16585(V)LH1CTS Counter Top Single Sided	16 1/2"	5 1/2" x 8 1/2"	11"	1
FV_16585(V)LH1CTD Counter Top Double Sided	16 1/2"	5 1/2" x 8 1/2"	11"	2
FV_1785(V)LH2 Wall Mount	17"	8 1/2" x 8 1/2"	8 1/2"	2
FV_1785(V)LH2CTS Counter Top Single Sided	17"	8 1/2" x 8 1/2"	8 1/2"	2
FV_1785(V)LH2CTD Counter Top Double Sided	17"	8 1/2" x 8 1/2"	8 1/2"	4

Horizontal Wall Mount Modules



FV(H)

VT - Double Sided Vinyl Tape Attachment (Standard)

MF - Mechanical Fastening via concealed screws. (Standard for large modules, indicated by an "MF" suffix in the product code. Optional for small modules)

Note: Complete installation instructions are available from APCO or at apcosigns.com.

Retention Dimple
FVRD

(Standard for Large Modules)
For large FullView modules, a discreet dimple(s) is placed into the aluminum closure extrusion at the top and bottom of the sign. This dimple helps to prevent the larger FullView inserts from possibly bowing outward and thus also helps maintain proper compression of the display material.

Retention Clip
FVRC

(Optional)
For large FullView modules, in addition to the standard Retention Dimple, a discreet, Retention Clip is available to provide extra security in retaining the insert material within the frame. The matte plastic clip snaps onto the center of the aluminum closure extrusion at the top and bottom of the sign, and is easily removed when display changes are necessary. This option can be easily retro-fitted into existing displays.

4" High Modules



Standard Widths	Code	Insert Height	Insert Width
4"	FV_0404(H)	4.08"	4.08"
6"	FV_0406(H)	4.08"	6"
8"	FV_0408(H)	4.08"	8"
12"	FV_0412(H)	4.08"	12"
18"	FV_0418(H)	4.08"	18"

6" High Modules



Standard Widths	Code	Insert Height	Insert Width
6"	FV_0606(H)	6"	6"
8"	FV_0608(H)	6"	8.0"
12"	FV_0612(H)	6"	12.0"
18"	FV_0618(H)	6"	18.0"
24"	FV_0624(H)	6"	24.0"

8" High Modules



Standard Widths	Code	Insert Height	Insert Width
24"	FV_0824(H)MF	8.0"	24"
36"	FV_0836(H)MF	8.0"	36"
48"	FV_0848(H)MF	8.0"	48"

8-1/2" High Modules



Standard Widths	Code	Insert Height	Insert Width
11"	FV_8511(H)	8.5"	11"
14"	FV_8514(H)	8.5"	14"

11" High Module



Standard Widths	Code	Insert Height	Insert Width
17"	FV_1117(H)	11"	17"

12" High Modules



Standard Widths	Code	Insert Height	Insert Width
24"	FV_1224(H)MF	12.0"	24"
36"	FV_1236(H)MF	12.0"	36"
48"	FV_1248(H)MF	12.0"	48"

18" High Modules



Standard Widths	Code	Insert Height	Insert Width
24" *	FV_1824(H)MF *	18.0"	24"
36" *	FV_1836(H)MF *	18.0"	36"
48" *	FV_1248(H)MF *	18.0"	48"

* Features Retention Dimple. Retention Clip is optional (see 4.3.103).

Horizontal Modules

Standard & Metric Wall Mount Sizes

Horizontal Wall Mount Modules cont.

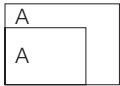
Side Access Module



Standard Heights	Standard Widths	Code	Insert Size
8.5"	11"	FV_8511(H)TA	8.5" x 11"

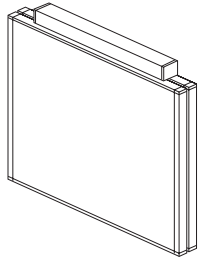
Metric / International A-Size Modules

Standard Assembly



A Size	Code	Insert Size
A4	FV_A4L(H)	A4 (210 x 297)

Ceiling Mount Modules



Two FullView modules are attached back-to-back via a unique, high quality aluminum mounting bracket with a square profile (code: CMT-M)

CMF

Standard Flush Mount aluminum CMT-M

CMW

Wire Suspended

Retention Dimple

FVRD

(Standard for Large Modules)

For large FullView modules, a discreet dimple(s) is placed into the aluminum closure extrusion at the top and bottom of the sign. This dimple helps to prevent the larger FullView inserts from possibly bowing outward and thus also helps maintain proper compression of the display material.

8" High Ceiling Modules



Standard Widths	Code	Insert Height	Insert Width
24"	FV_0824(H)CM_	8"	24"
36"	FV_0836(H)CM_	8"	36"
48"	FV_0848(H)CM_	8"	48"

12" High Ceiling Modules



Standard Widths	Code	Insert Height	Insert Width
24"	FV_1224(H)CM_	12"	24"
36"	FV_1236(H)CM_	12"	36"
48"	FV_1248(H)CM_	12"	48"

18" High Ceiling Modules



Standard Widths	Code	Insert Height	Insert Width
24" *	FV_1824(H)CM_ *	18"	24"
36" *	FV_1836(H)CM_ *	18"	36"
48" *	FV_1848(H)CM_ *	18"	48"

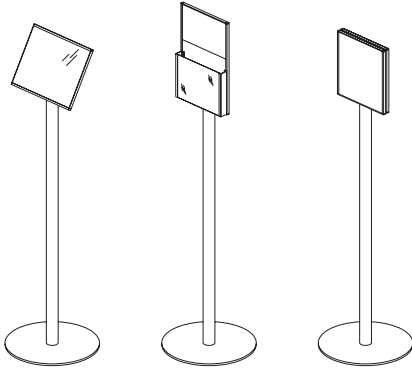
* Features Retention Dimple. Retention Clip is optional (see 4.3.108).

FS300 Series

Free Standing Pedestal

FS300 Series

Free Standing Pedestal

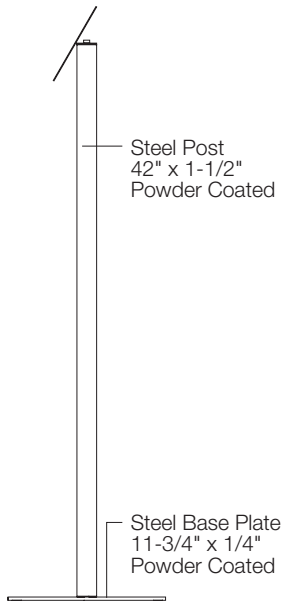


FS300
Incline
Single-sided

FS301
Vertical
Single-sided

FS301.2
Vertical
Double-sided

Signs are easily affixed to a 42" aluminum post via a modular steel mounting plate. A 1/4" steel base plate acts as a counter weight at the bottom of the post. The FS300 Series accepts both Vertical (portrait) and Horizontal (landscape) display configurations.



Standard Post Finishes

- Natural Satin Anodized
- Painted:
Standard (44+)
Custom

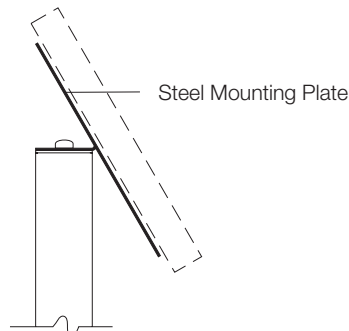
Standard Base Plate Finishes

- Powder Coated
Silver
- Painted
Standard (44+)
Custom

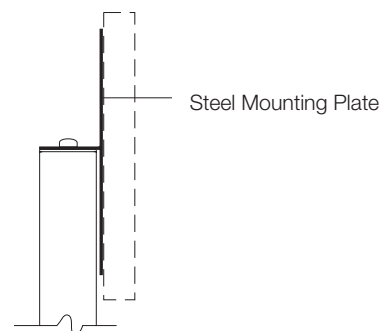
Compatible FullView Holders

Code	Insert Size
FV1185(V)	11" x 8.5"
FV8511(H)	8.5" x 11"
FV1485(V)	14" x 8.5"
FV8514(H)	8.5" x 14"
FV1117(V)	11" x 17"
FV1711(H)	17" x 11"

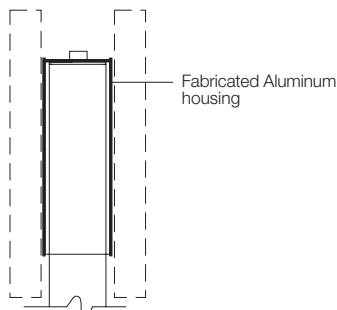
FS300 Series Mounting Plates



FS300
60 Degree Inclined



FS301
Vertical Single Sided



FS301.2
Vertical Double Sided