

Customize the look of APCO's award-winning FullView[®], Accord 15[®] or curved-face Arcadia[®] modular sign systems with Elements 2 decorative components & finishes.

Elements 2 combines the functional benefits of comprehensive modular sign systems with unique looks for a custom design.



The Components

Customize the look of APCO's award-winning FullView®, Accord 15® or curved-face Arcadia® modular sign systems with Elements 2 decorative components & finishes. Elements 2 combines the functional benefits of comprehensive modular sign systems with unique looks for a custom design.

At the center of Elements 2 is the SiennaCORE Natural Fiber Composite™ backer with 50% recycled content. Produced using recycled paper and pulpwood from FSC certified sources, SiennaCORE™ is rigid, moisture resistant and features the same expansion/contraction properties as phenolic-backed laminates, so decorative materials will not curl or delaminate.

Standard options include a range of wood, stone, translucent, solid color and custom decorative finishes.

Features

- Over 38 unique textures & 44 solid colors available for backer finishes
- Quick and easy insert changes with user updatable paper inserts & SignWord software
- SiennaCORE™ Thermoset composite with 50% recycled content, comprised of paper & pulpwood from FSC certified sources
- Optional decorative dividers available
- Aluminum holder components with 50% recycled content.

Material Options

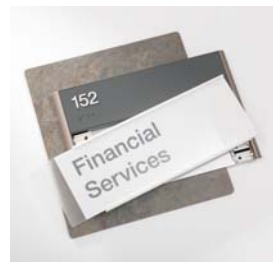
- Wood Laminates
10 Standard
- Stone & Pattern Laminates
20 Standard
- Lumicor® Plaques
5 Standard
- Acrylic
44+ Painted Colors



System Options



Arcadia®
Curved Face
APCO Technical Section 4.4

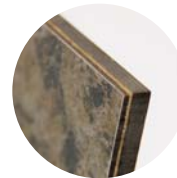


Accord 15™
50+ Modular Components
APCO Technical Section 4.2



FullView™
Low Profile
APCO Technical Section 4.3

**SIENNA
CORE™**
NATURAL FIBER COMPOSITE



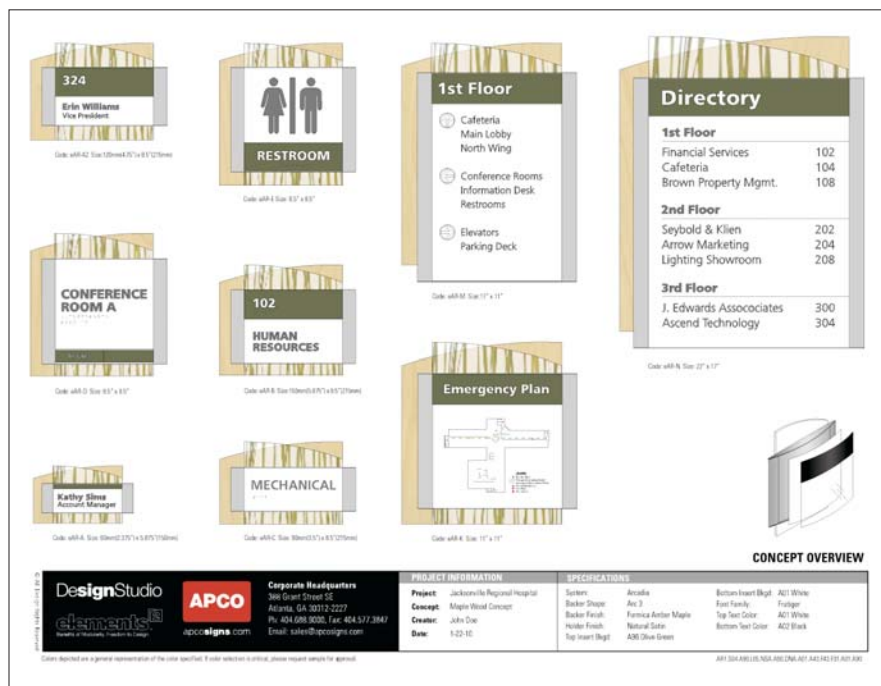
Natural fiber composite backer with 50% recycled content. Produced using recycled paper and pulpwood from FSC certified sources.

Option 1

Design Online (Available April 2011)



Create a range of system designs and concepts using APCO's online DesignStudio.



Print, save and share your system creation. Basic sign type information and specifications are provided in the final concept output.

Option 2

Specify from Scratch using APCO's Technical Catalog

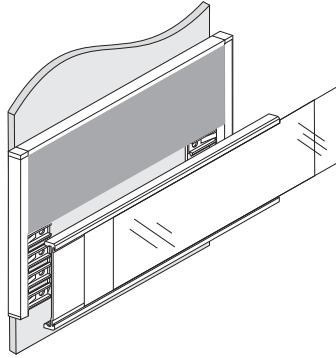
Create completely custom sign systems with APCO's modular systems and Elements 2 backers.

1. Choose a Sign System on page 4.6.103. Use APCO's Technical Catalog to specify the details of your selected system:
 - Accord 15Section 4.2
 - FullView.....Section 4.3
 - Arcadia.....Section 4.4
2. Select backer shapes on page 4.6.104
3. Select colors & finishes on page 4.6.105-4.6.106.

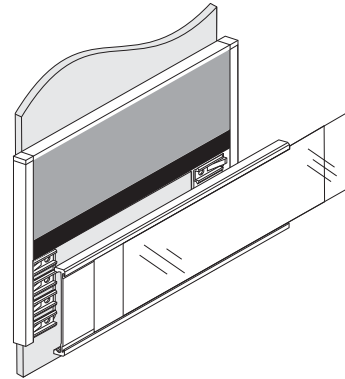
Accord¹⁵

The most comprehensive updatable solution available.

- Aluminum components with average 50% recycled content.
- Aesthetically compatible with FullView system. *May be ideal for certain sign types within a FullView project.*
- Four Edge Shapes
Square, Bevel, Radius & Contour
- 50+ Modular Components
- User Updatable Solutions
Modular, laser-printed inserts, ideal for directories and personnel signs.
- Optional 15mm (9/16") divider bar with a wide range of color or laminate finishes.



Standard Assembly

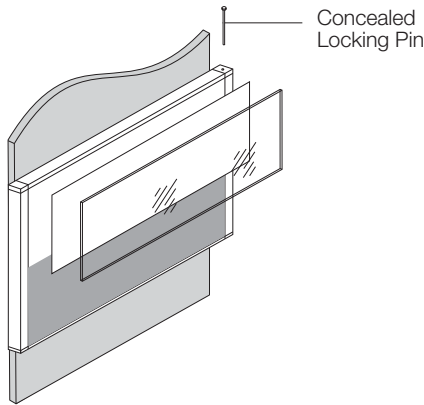


Optional Divider Bar Assembly

FullView[®]

A low-profile vandal resistant system with a wide range of user-focused solutions.

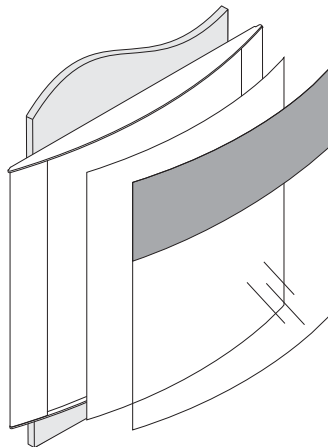
- Aluminum and structural components with up to 50% recycle content.
- Aesthetically compatible with Accord 15 system. *May be ideal for certain sign types within an Accord 15 project.*
- Concealed Locking Pin
- Non-Glare Lens
Removed with Suction Cup Tool
- Display/Insert Options
Digitally printed graphics, ADA plaques, laser-printed Inserts, etc.
- Five Edge Shapes
Square, Radius, Bevel, Contour & Contour Ribbed



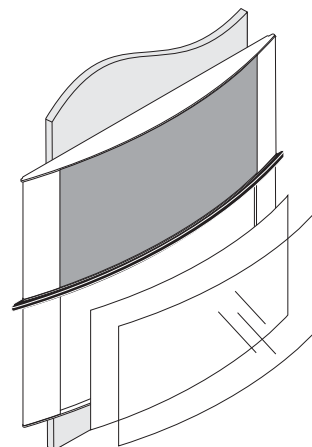
arcadia.

Curved face user-friendly aluminum system with contour edge profile.

- Aluminum components with average 50% recycled content.
- Wide range of Display/Insert Options
Digitally printed graphics, modular message bands, ADA plaques, decorative materials, laser-printed Inserts, etc.
- Optional unique 1/4" polished acrylic divider bar with surface or subsurface color.



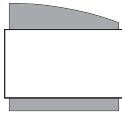
Standard Assembly



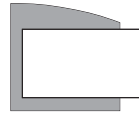
Optional Divider Bar Assembly

Backer Shapes

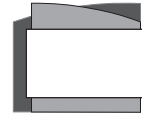
Arc



AR1



AR2

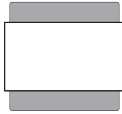


AR3

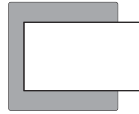


AR4

Ortho



OR1



OR2

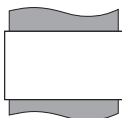


OR3

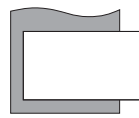


OR4

Scroll



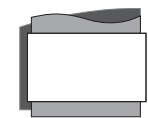
SR1



SR2



SR3

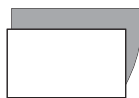


SR4

Blade



BL1



BL2

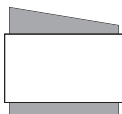


BL3



BL4

Peak

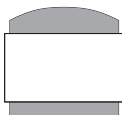


PK1



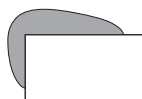
PK2

Curve



CV1

Cloud



CD1

Woods

Laminated to 1/8" SiennaCORE



Name	Code	Manufacturer/ Product No	Finish	Compatible Elements Finish for Sign Inserts
Amber Maple	F1	Formica/7012	Matte	DWM8 Amber Maple
Cherry Birch	F2	Formica/7484	Matte	DWB7 Birch
Cognac Maple	F3	Formica/7738	Matte	DWM9 Cognac Maple
Montana Walnut	W1	Wilsonart/7110	Fine Grain	DWW2 Walnut
Monticello Maple (shown)	W2	Wilsonart/7925	Fine Grain	DWM1 Maple
Victorian Mahogany	F4	Formica/7583	Matte	DWM6 Victorian Mahogany

Granites, Marble & Stone

Laminated to 1/8" SiennaCORE



Name	Code	Manufacturer/ Product No	Finish
Amber Fusion	W3	Wilsonart/1794	Textured Gloss
Antique Topaz	W4	Wilsonart/4863	Textured Gloss
Carrara Envision	F5	Formica/7494	Matte
Colorado Slate	F6	Formica/7014	Matte
Greystone	W5	Wilsonart/4790	Matte
Jamocho Granite	F7	Formica/7734	Matte
Labrador Granite	F8	Formica/3692	Matte
Mystique Dusk (shown)	W6	Wilsonart/4758	Matte
Mystique Night	W7	Wilsonart/4760	Matte
Sandy Topaz	W8	Wilsonart/4862	Textured Gloss
Ubatuba Granite	F9	Formica/7733	Matte

Environmental Patterns & Fibers

Laminated to 1/8" SiennaCORE



Name	Code	Manufacturer/ Product No	Finish
Burnished Glaze	F11	Formica/7704	Matte
Cotton Paper	F12	Formica/7695	Matte
Fallen Leaves (shown)	F13	Formica/7231	Matte
Green Tigris	W09	Wilsonart/4667	Matte
Natural Tigris	W10	Wilsonart/4669	Matte
Saffron Tigris	W11	Wilsonart/4673	Matte
Seagrass Strand	F14	Formica/6214	Matte
Wheat Strand	F15	Formica/6212	Matte

Abstract Patterns

Laminated to 1/8" SiennaCORE



Name	Code	Manufacturer/ Product No	Finish
Beluga Beige (shown)	F16	Formica/3698	Matte
Charcoal Boomerang	F17	Formica/6942	Matte
Tangle Smoke	F18	Formica/6217	Matte
Aqua Boomerang	F19	Formica/6959	Matte
Tangle Seaweed	F20	Formica/6216	Matte
Tangle Wheat	F21	Formica/6215	Matte

Transluents

Name	Code	Manufacturer	Finish	Thickness
Bamboo Rings (shown)	L1	Lumicor	Matte	1/4"
Coastal Grass	L2	Lumicor	Matte	1/8"
Cool Frost	AA	APCO	Frosted	1/8" or 1/4" Acrylic
Ginkgo	L3	Lumicor	Matte	1/8"
Natural Leaves	L4	Lumicor	Matte	1/8"
Zito	L5	Lumicor	Matte	1/4"

Solid Colors

Choose from 44+ APCO colors. Reference APCO Color Chart for full offering. Custom colors available on a project-specific basis.

A01 White	A47 Light Grey	A75 Apricot
A02 Black	A48 Chocolate	A76 Biscuit
A03 Warm Grey	A50 Windsor Blue	A78 Pearl Grey
A08 Fire Red	A51 Deep Red	A80 Tangerine
A11 Cobalt Blue	A52 Emerald Green	A81 Cinnamon
A12 Peacock Blue	A53 Thistle Green	A85 Deep Purple
A14 Medium Grey	A54 Graphite	A86 Mint Green
A22 Chrome Yellow	A60 Buff	A88 Royal Blue
A24 Wine	A61 Raisin	A89 Satin Silver
A27 Deep Green	A63 Wedgewood Blue	A90 Moth
A28 Orbit Blue	A64 Jade Blue	A95 Eggplant
A31 Grape	A69 American Red	A96 Olive Green
A43 Putty	A71 Harvard Green	A97 Champagne Metallic
A44 Architectural Brown	A72 Bone White	A99 Bronze Metallic
A46 Off White	A74 Indy Blue	

Accord¹⁵

The following family of signs represents only a small range of signtypes typical within most facilities and may at least be helpful in the beginning stages of a sign project.

There are virtually limitless Accord 15 signtypes and configurations possible. Additional mounting options also exist, including ceiling and projecting wall signs.

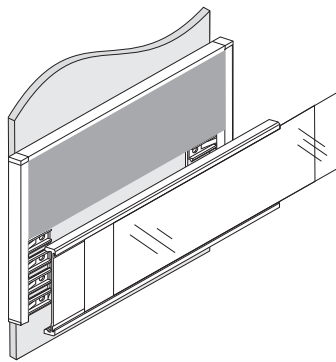
Consult with your APCO sale representative for further possibilities.

Design elements shown in the following system:

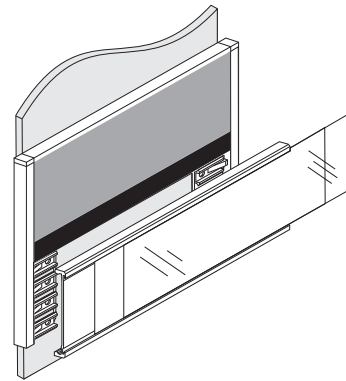
- Curve (CV1) Backer Shape
- Square (S) Accord 15 Profile Shape

NOTE: Dimensions shown are sign ID only.

Patent Protected.



Standard Assembly
Shown below



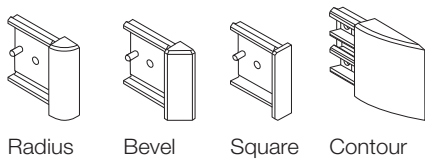
Optional Divider Bar Assembly
Not shown. See on APCO's online DesignStudio.

To specify Divider Bar, add "D" to Sign Type code.

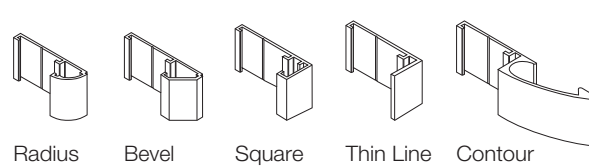
Example

Without Divider: eAC-A
With Divider: eACD-A

Injection Molding Profile Shapes



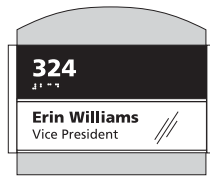
Extruded Aluminum Profile Shapes



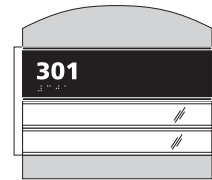
Standard Signtypes



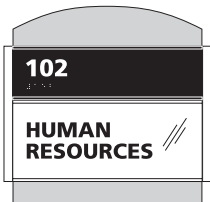
Sign Type: eAC-A
60mm (2-3/8") x 210mm (8.25")



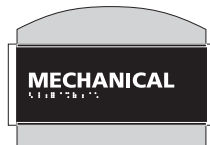
Sign Type: eAC-A2
120mm (4.75") x 210mm (8.25")



Sign Type: eAC-A3
120mm (4.75") x 210mm (8.25")



Sign Type: eAC-B
150mm (5.875") x 210mm (8.25")

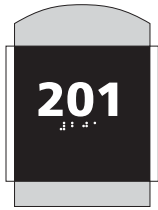


Sign Type: eAC-C
90mm (3.5") x 210 (8.25")



Sign Type: eAC-D
210mm (8.25") x 210mm (8.25")

Standard Signtypes (cont.)



Sign Type: eAC-F
150mm (5.875") x 150mm (5.875")



Sign Type: eAC-G
120mm (4.75") x 210mm (8.25")



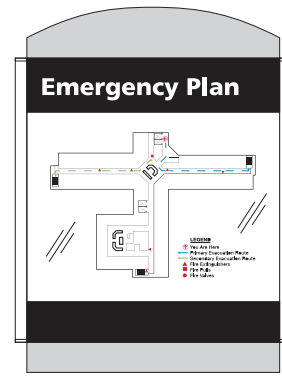
Sign Type: eAC-E
210mm (8.25") x 210mm (8.25")



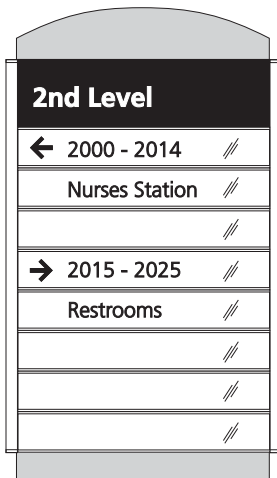
Sign Type: eAC-H
210mm (8.25") x 210mm (8.25")



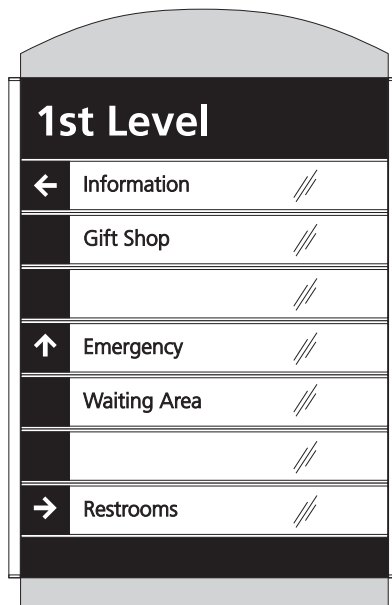
Sign Type: eAC-J
210mm (8.25") x 210mm (8.25")



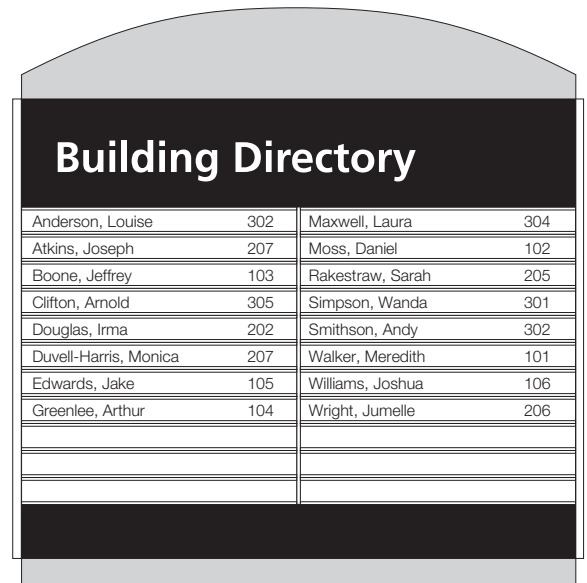
Sign Type: eAC-K
315mm (12.5") x 11" (280mm)



Sign Type: eAC-MZ
570mm (22-1/2") x 11" (280mm)



Sign Type: eAC-M
670mm (26-2/8") x 14" (360mm)



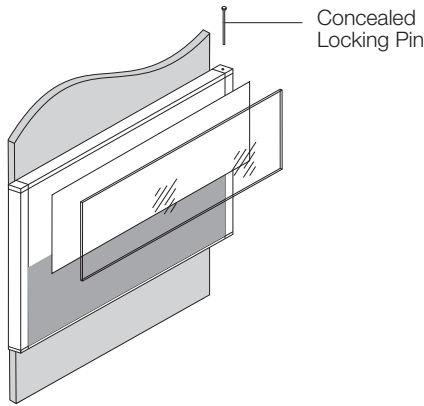
Sign Type: eAC-N
510mm (20") x 24.25" (615mm)

FullView®

The following family of signs represents only a small range of signtypes typical within most facilities and may at least be helpful in the beginning stages of a sign project.

There are virtually limitless FullView signtypes and configurations possible. Additional mounting options also exist, including ceiling and projecting wall signs.

Consult with your APCO sale representative for further possibilities.



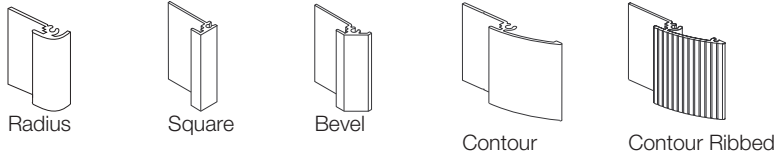
Design elements shown in the following system:

- Scroll (SR1) Backer Shape
- Square (S) FullView Profile Shape

NOTE: Dimensions shown are sign ID only.

Patent Pending.

Five Profile Shapes



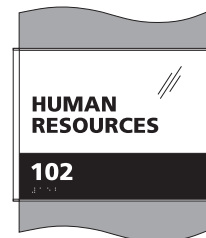
Standard Signtypes



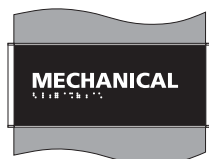
Sign Type: eFV-A
3" x 8-1/2"



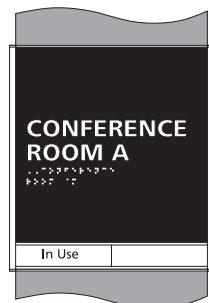
Sign Type: eFV-A2
5" x 8-1/2"



Sign Type: eFV-B
6" x 8-1/2"



Sign Type: eFV-C
3-1/2" x 8-1/2"



Sign Type: eFV-D
8-1/2" x 8-1/2"



Sign Type: eFV-E
8-1/2" x 8-1/2"

Standard Signtypes (cont.)



Sign Type: eFV-F
6" x 6"



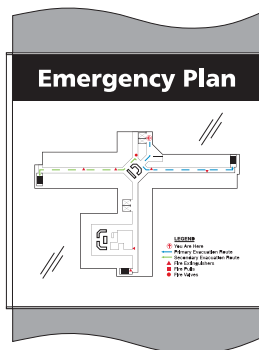
Sign Type: eFV-G
4-1/2" x 8-1/2"



Sign Type: eFV-H
8-1/2" x 8-1/2"



Sign Type: eFV-J
8-1/2" x 8-1/2"



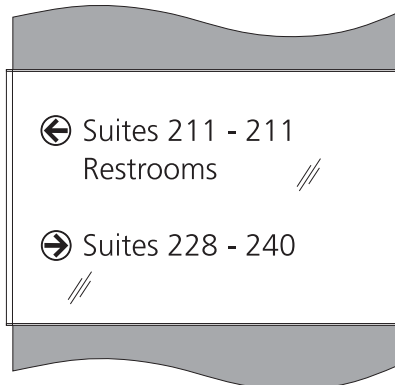
Sign Type: eFV-K
11" x 11"



Sign Type: eFV-L
11" x 8-1/2"



Sign Type: eFV-M
17" x 11"



Sign Type: eFV-M2
11" x 17"



Sign Type: eFV-N
22" x 17"

arcadia.

The following family of signs represents only a small range of signtypes typical within most facilities and may at least be helpful in the beginning stages of a sign project.

There are virtually limitless Accord 15 signtypes and configurations possible. Additional mounting options also exist, including ceiling and projecting wall signs.

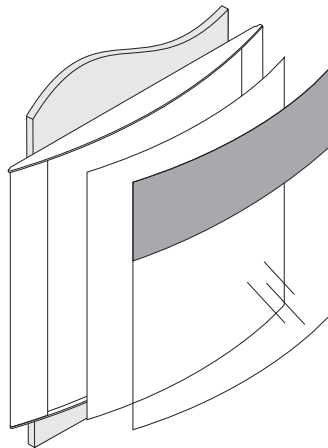
Consult with your APCO sale representative for further possibilities.

Design elements shown in the following system:

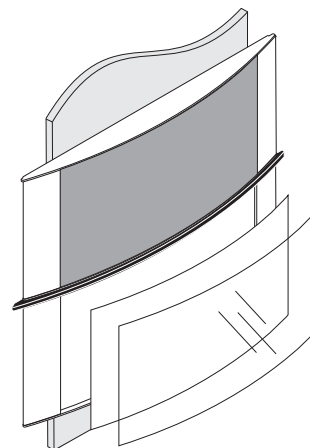
- Arc (AR1) Backer Shape

NOTE: Dimensions shown are sign ID only.

Patent Protected.



Standard Assembly
Shown below



Optional Divider Bar Assembly
Not shown. See on APCO's online DesignStudio.

To specify Divider Bar, add "D" to Sign Type code.

Example

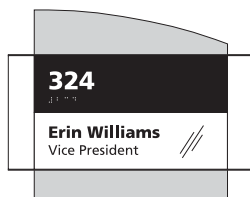
Without Divider: eAR-A

With Divider: eARD-A

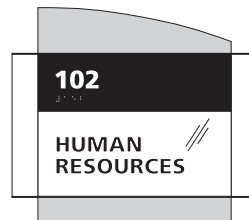
Standard Signtypes



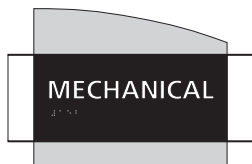
Sign Type: eAR-A
60mm (2.375") x 5.875" (150mm)



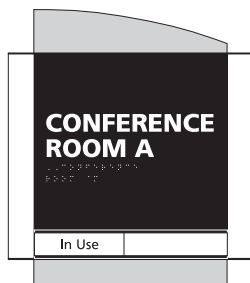
Sign Type: eAR-A2
120mm (4.75") x 8.5" (215mm)



Sign Type: eAR-B
Size: 150mm (5.875") x 8.5" (215mm)



Sign Type: eAR-C
90mm (3.5") x 8.5" (215mm)

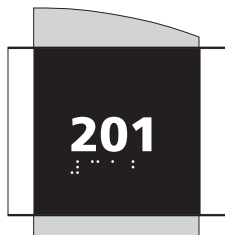


Sign Type: eAR-D
8.5" x 8.5"



Sign Type: eAR-E
8.5" x 8.5"

Standard Signtypes (cont.)



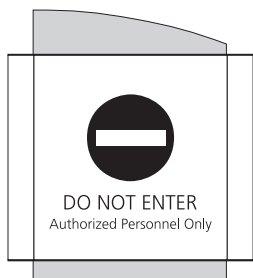
Sign Type: eAR-F
150mm (5-7/8") x 150mm (5-7/8")



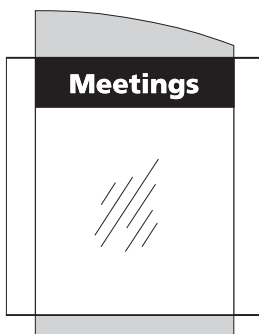
Sign Type: eAR-G
Size: 120mm (4.75") x 8.5" (215mm)



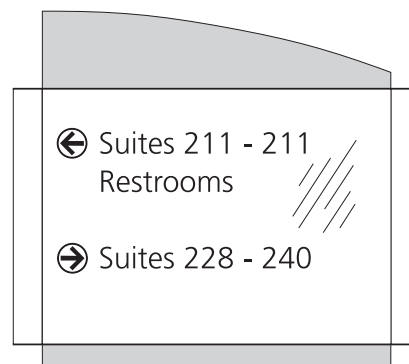
Sign Type: eAR-H
8.5" x 8.5"



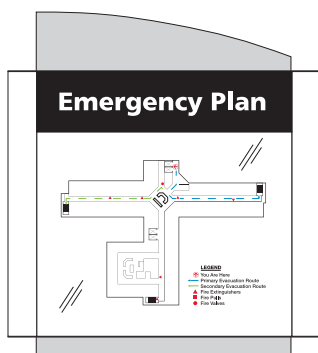
Sign Type: eAR-J
8.5" x 8.5"



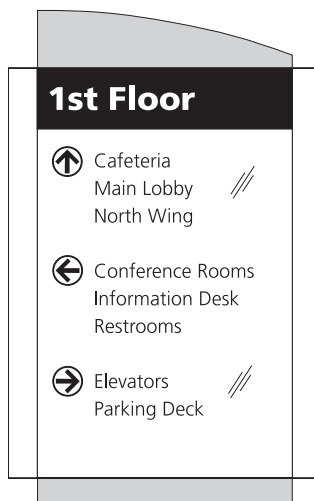
Sign Type: eAR-L
11" x 8.5"



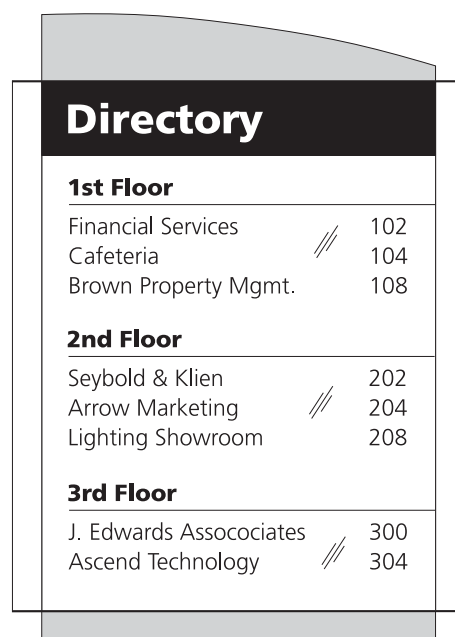
Sign Type: eAR-M2
11" x 17"



Sign Type: eAR-K
11" x 11"



Sign Type: eAR-M
17" x 11"



Sign Type: eAR-N
22" x 17"