

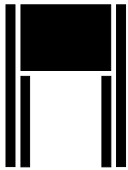
PolySign^W SinglePanel Series Non-Illuminated Fiberglass



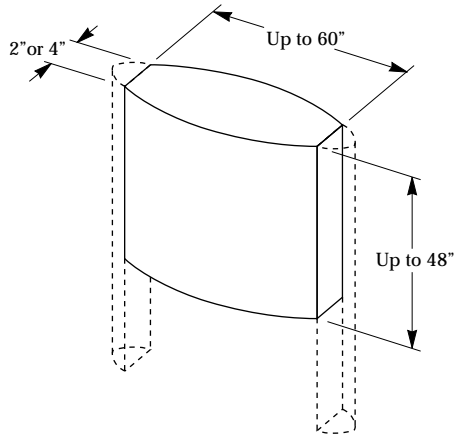
Curved Sign Panel Option



4110.1CP Series
Double Post
Curved Panel
2" & 4" Thicknesses



4110.2CP Series
Companion Post
Curved Panel
2" & 4" Thicknesses



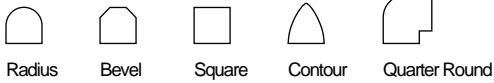
Panel Height	Panel Width					
	18"	24"	30"	36"	48"	60"
12"	•	•	•	•	•	•
18"	•	•	•	•	•	•
24"	•	•	•	•	•	•
30"	•	•	•	•	•	•
36"	•	•	•	•	•	•
48"	•	•	•	•	•	•



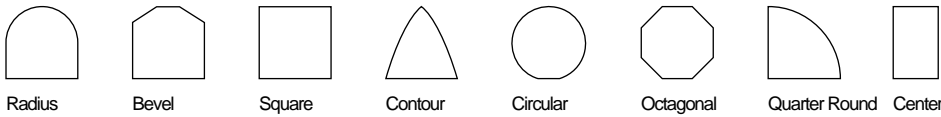
4130.1CP Series
Single Post Mount
Curved Panel
2" & 4" Thicknesses

4130.2CP Series
Single Companion Post
Curved Panel
2" & 4" Thicknesses

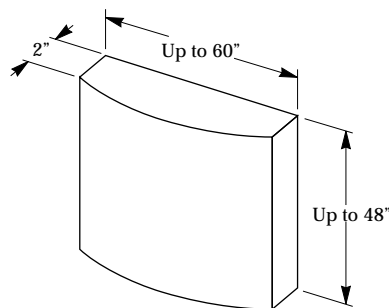
2" Post Shapes



4" Post Shapes



4140.1CP Series
Wall Mount
Curved Panel
2" Thickness



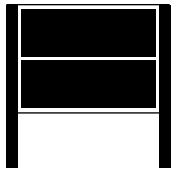
Panel Height	Panel Width					
	18"	24"	30"	36"	48"	60"
12"	•	•	•	•	•	•
18"	•	•	•	•	•	•
24"	•	•	•	•	•	•
30"	•	•	•	•	•	•
36"	•	•	•	•	•	•
48"	•	•	•	•	•	•

PolySign^W MultiPanel Series

Illuminated & Non-Illuminated Fiberglass

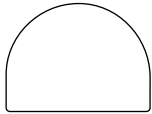


Curved Sign Panel Option

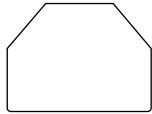


4310 & 4410 Series
Double Posts
with Curved Panels

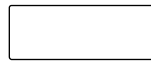
8" Post Shapes



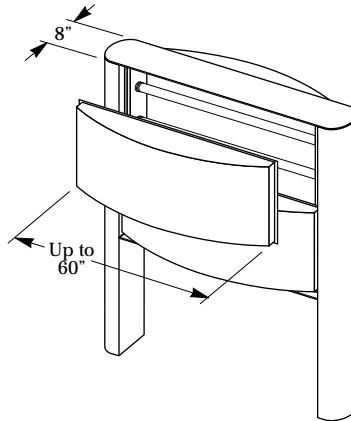
Radius



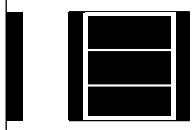
Bevel



Rectangular

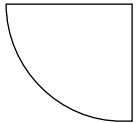


Panel Height	Panel Width			
	24"	36"	48"	60"
6"	•	•	•	•
12"	•	•	•	•
18"	•	•	•	•
24"	•	•	•	•
30"	•	•	•	•
36"	•	•	•	•
42"	•	•	•	•
48"	•	•	•	•

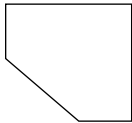


4510 & 4610 Series
Surface Mounted
with Curved Panels

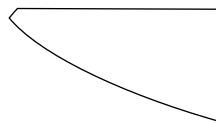
Fiberglass End Shapes



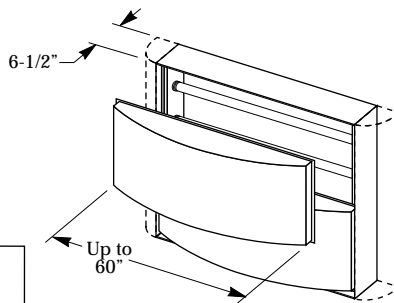
Radius



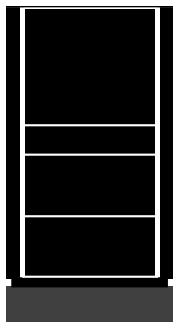
Bevel



Contour



Panel Height	Panel Width			
	24"	36"	48"	60"
6"	•	•	•	•
12"	•	•	•	•
18"	•	•	•	•
24"	•	•	•	•
30"	•	•	•	•
36"	•	•	•	•
42"	•	•	•	•
48"	•	•	•	•



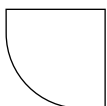
4520 & 4620 Series
Two Sided Pylon (*Unequal Sides*)
with Curved Panels



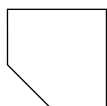
4530 & 4630 Series
Three Sided Pylon
with Curved Panels



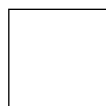
4540 & 4640 Series
Four Sided Pylon (*Equal Sides*)
with Curved Panels



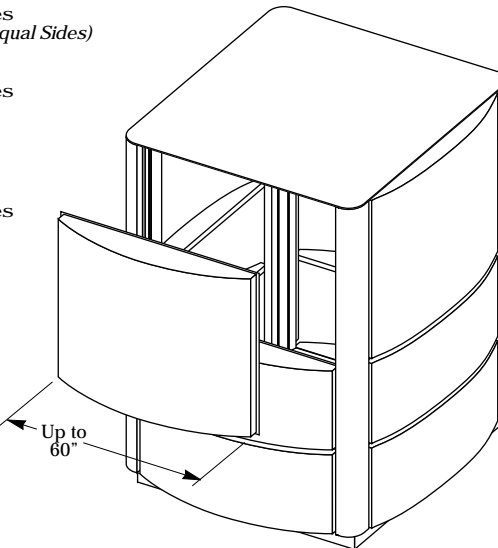
Radius



Bevel



Square

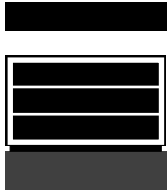


Panel Height	Panel Width			
	24"	36"	48"	60"
6"	•	•	•	•
12"	•	•	•	•
18"	•	•	•	•
24"	•	•	•	•
30"	•	•	•	•
36"	•	•	•	•
42"	•	•	•	•
48"	•	•	•	•

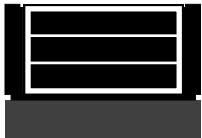
PolySign^W MultiPanel Series
 Illuminated & Non-Illuminated Fiberglass



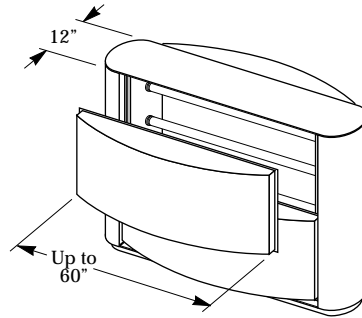
Curved Sign Panel Option



4710 & 4810 Series
 Base Mounted
 Without End Shapes,
 with Curved Panels

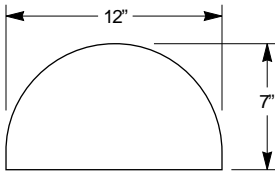


4720 & 4820 Series
 Base Mounted
 With End Shapes,
 with Curved Panels

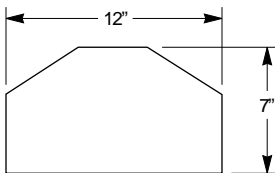


Panel Height	Panel Width			
	24"	36"	48"	60"
6"	•	•	•	•
12"	•	•	•	•
18"	•	•	•	•
24"	•	•	•	•
30"	•	•	•	•
36"	•	•	•	•
42"	•	•	•	•
48"	•	•	•	•

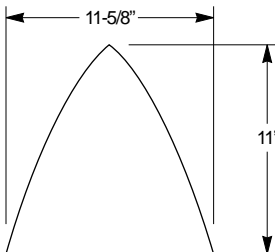
12" Fiberglass End Shapes



Radius



Bevel



Contour