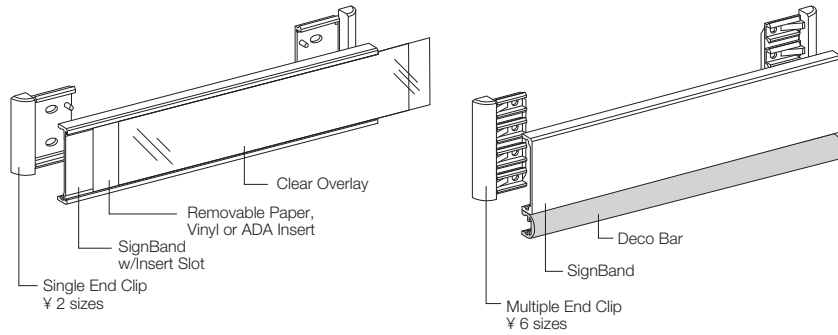


**Accord 15 is a complete, modular system ideal for virtually any signage need, from simple personnel and identification signs, to complex directionals and directories.**



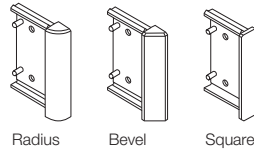
**End Clip System**

Features a wide range of extruded aluminum and molded plastic bands (inserts) and unique decorative elements which snap onto low profile (3/8"/9.5mm depth), integrally colored, injection molded End Clips. Ideal for personnel signs, directional modules, room identification, and ceiling and wall projection signs.

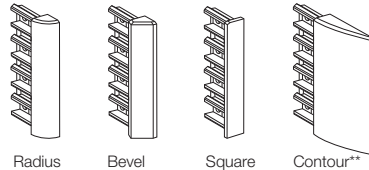


**1 End Clips**

Single Insert Clips (30 & 45mm)



Multiple Insert Clips\* (60, 75, 90, 120, 150, & 210mm)



\*\* 30mm and 45mm sizes for the Contour shape are available as Multiple Insert End Clips. 75mm NOT available in Contour shape

**2 Inserts**

(Snap onto End Clips)



**SignBands**

- ¥ 7 Standard Sizes
- ¥ Custom Sizes Possible
- ¥ Curved Face Option
- ¥ NEW! Injection Molded Color Bands and Clear Bands available.

**SignBands w/Insert Slot**

- ¥ 5 Standard Sizes
- ¥ Compatible with APCO SignWord paper inserts with laser printed copy or other changeable materials.



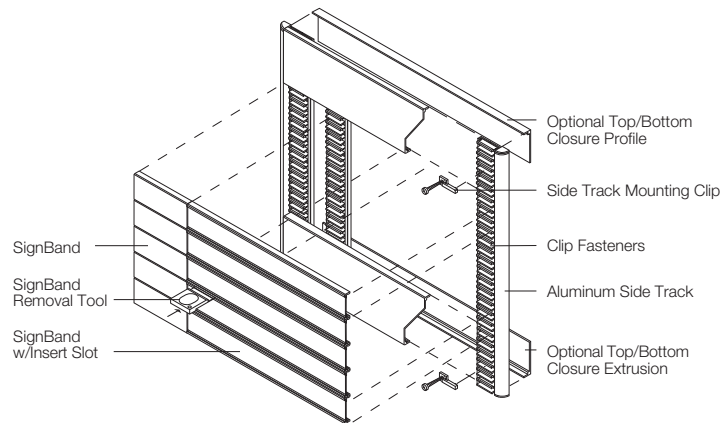
**Decorative Elements**

- ¥ 3 Options/Shapes

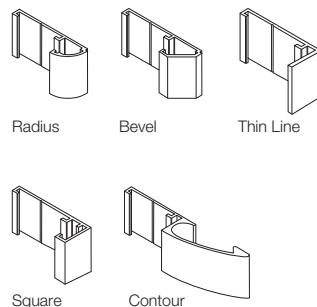
**Worldwide Patent Protection**

**Side Track System**

Features a wide range of aluminum and molded plastic bands which snap onto extruded aluminum Side Tracks via modular Clip fasteners, ensuring modularity and precise alignment of inserts. Ideal for room signs, directories, directional signs, poster holders, and more.

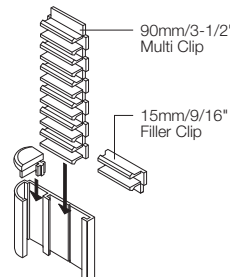


**1 Aluminum Side Tracks**



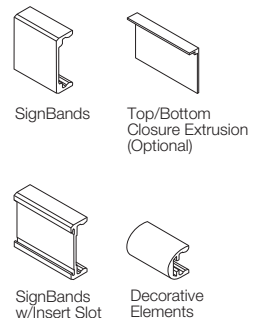
**2 Clip Fasteners**

(Lock into Side Track)



**3 Inserts**

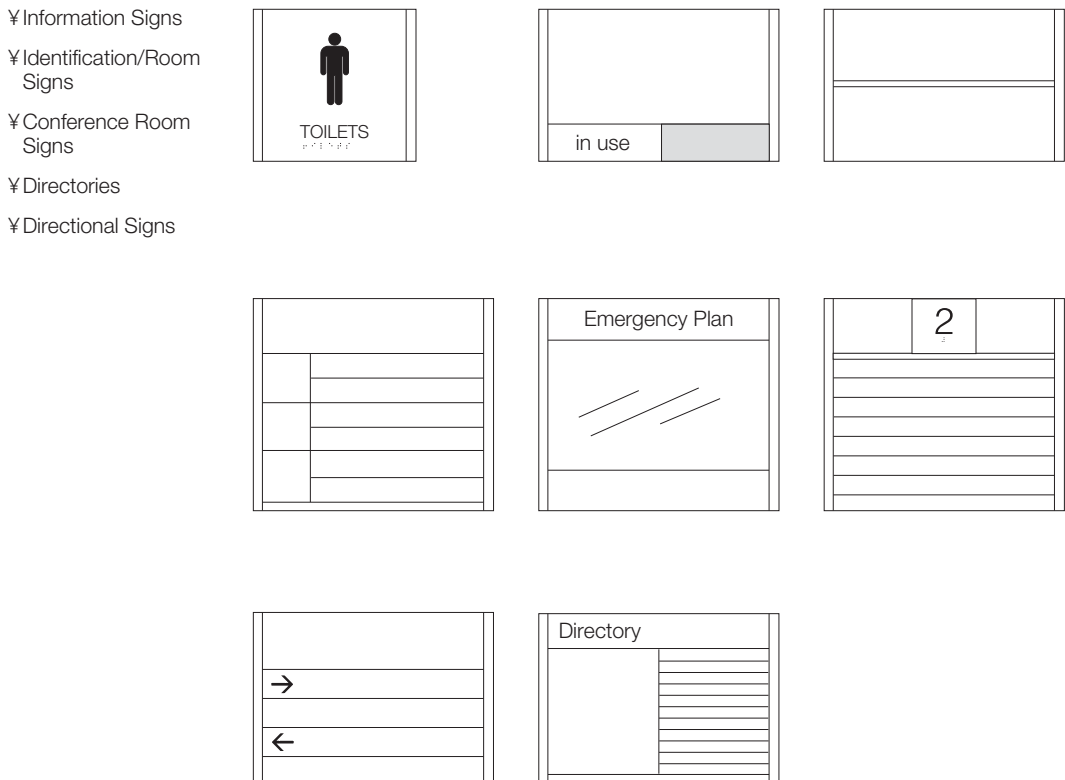
(Snap onto Clips)



**End Clip System - Applications**

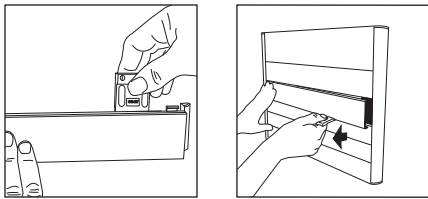
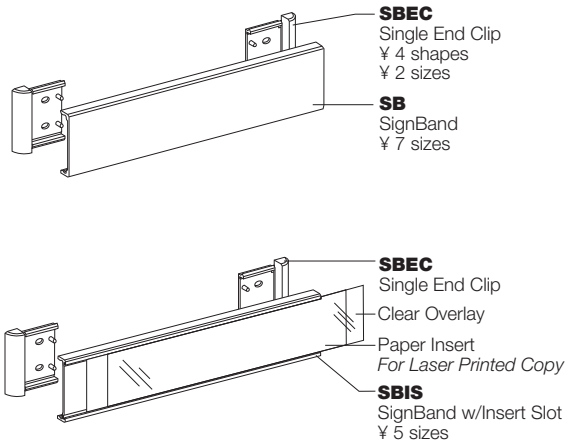


**Side Track System - Applications**



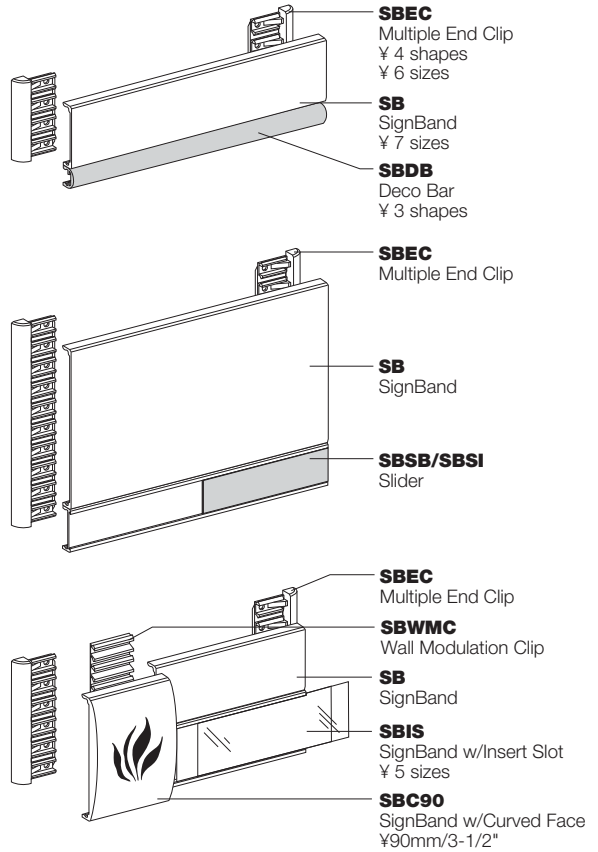
**End Clip System**

Single End Clips



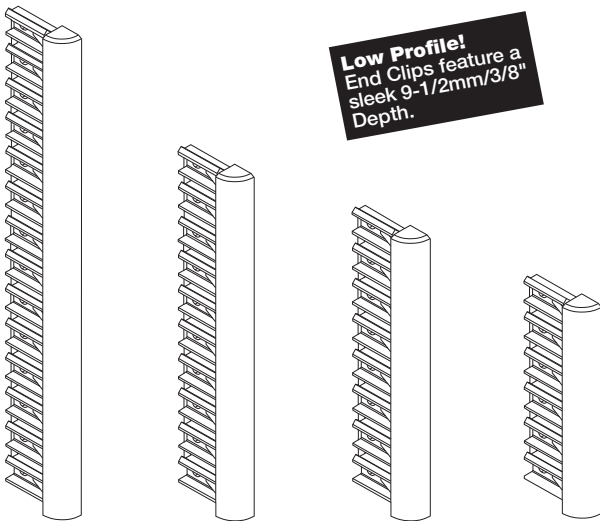
Insert Removal

Multiple End Clips



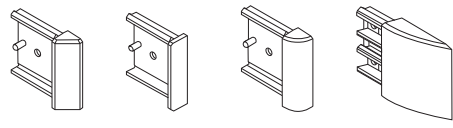
Worldwide Patents Pending.

**Molded Plastic End Clips**



**Low Profile!**  
End Clips feature a sleek 9-1/2mm/3/8" Depth.

**Shapes**



**SBEC-B** Bevel    **SBEC-S** Square    **SBEC-R** Radius    **SBEC-C** Contour

**Standard Colors**

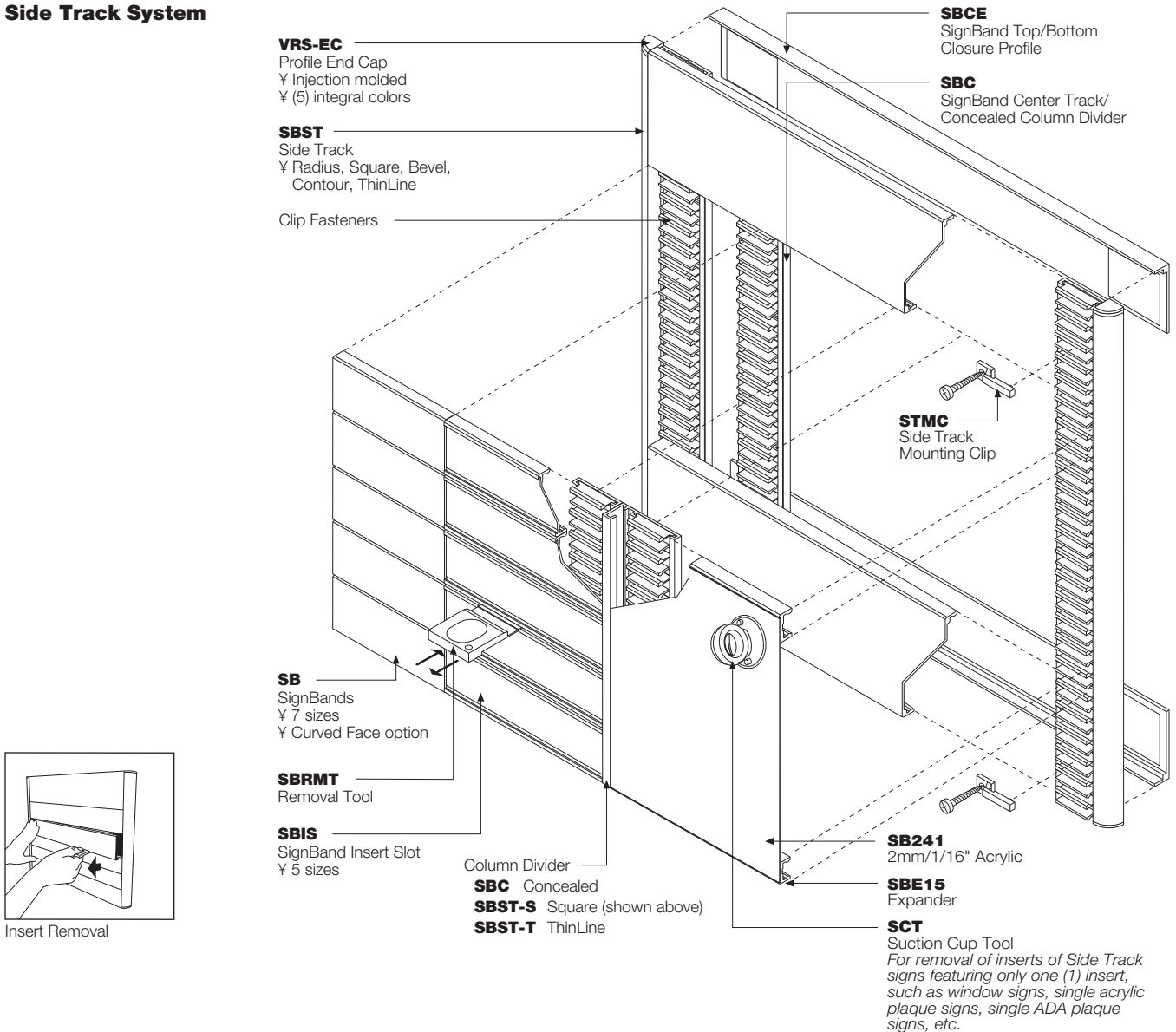
*Integral Colors*  
A02 Black  
A43 Putty\*  
A44 Architectural Brown\*  
A72 Bone White  
A78 Pearl Grey  
*Painted Colors*  
(44) Standard  
Custom Colors

*Translucent Colors*  
(Contour Only)  
T90 Ice Blue  
T91 Frost Grey  
T92 Mist Green  
T93 Butterscotch

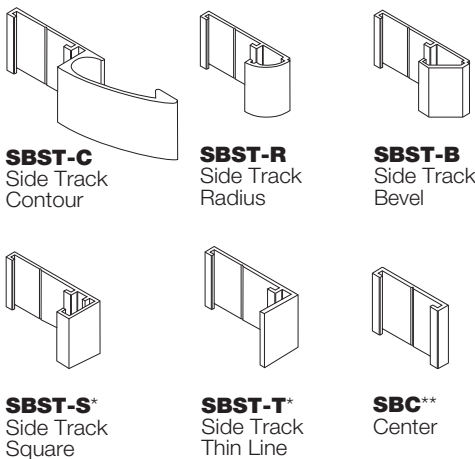
\* Not available for Contour

- SBEC210-R**  
Radius (Multiple)  
**210mm** (8-1/4")
- SBEC150-R**  
Radius (Multiple)  
**150mm** (5-7/8")
- SBEC120-R**  
Radius (Multiple)  
**120mm** (4-3/4")
- SBEC90-R**  
Radius (Multiple)  
**90mm** (3-1/2")
- SBEC75-R**  
Radius (Multiple)  
**75mm** (3")
- SBEC60-R**  
Radius (Multiple)  
**60mm** (2-3/8")
- SBEC45-R**  
Radius (Single)  
**45mm** (1-3/4")
- SBEC30-R**  
Radius (Single)  
**30mm** (1-1/8")

**Side Track System**



**Aluminum Side Tracks**



**Standard Colors/Finishes**

- A02 Black
- A43 Putty
- A44 Architectural Brown
- A72 Bone White
- A78 Pearl Grey

*Painted (Polyurethane)*  
(44) Standard  
Custom Colors

*Anodized*  
Natural Satin

\* May also be used as Dividers.

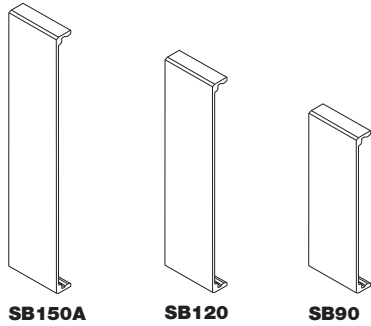
**Metric Conversion**  
1" = 25.4 mm

**Standard Heights**

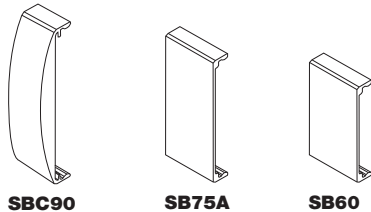
**120mm (4-3/4") - 1005mm (39-1/2")**

**Important Note!** Height Must Be in 15mm increments (Divisible by 15mm).  
Inch Dimensions are Nominal Only.

**SignBands**



**SB150A**      **SB120**      **SB90**



**SBC90**      **SB75A**      **SB60**



**SB45**      **SB30**      **SB15**

Part Code	Overall Height	Display Height
<b>SB150A</b>	<b>150mm</b> (5-7/8")	148mm (5-15/16")
<b>SB120</b>	<b>120mm</b> (4-3/4")	118mm (4-11/16")
<b>SB90</b>	<b>90mm</b> (3-1/2")	88mm (3-7/16")
<b>SBC90</b>	<b>90mm</b> (3-1/2")	50mm (2")
<b>SBC75A</b>	<b>75mm</b> (3")	72mm (2-13/16")
<b>SB60</b>	<b>60mm</b> (2-3/8")	58mm (2-15/16")
<b>SB45</b>	<b>45mm</b> (1-3/4")	43mm (1-11/16")
<b>SB30</b>	<b>30mm</b> (1-1/8")	28mm (1-1/16")
<b>SB15</b>	<b>15mm</b> (9/16")	13mm (1/2")

**Standard Band Widths**

105mm or 4"
150mm or 6"
210mm or 8"
225mm or 9"
255mm or 10"
300mm or 12"
360mm or 14"
405mm or 16"
450mm or 18"
510mm or 20"
600mm or 24"
750mm or 30"
900mm or 36"

**Standard Colors/Finishes**

(44) Standard Polyurethane Coated  
 Natural Satin Anodized  
 Custom Colors Available

**Metric Conversion**  
**1" = 25.4 mm**

**SignBand Insert Slots**



**SB90IS**      **SB75IS**      **SB60IS**



**SB45IS**      **SB30IS**      **SB15IS**

Part Code	Overall Height	Display Height
<b>SB90IS</b>	<b>90mm</b> (3-1/2")	82mm (3-1/4")
<b>SB75IS</b>	<b>75mm</b> (3")	66mm (2-5/8")
<b>SB60IS</b>	<b>60mm</b> (2-3/8")	52mm (2-1/16")
<b>SB45IS</b>	<b>45mm</b> (1-3/4")	37mm (1-7/16")
<b>SB30IS</b>	<b>30mm</b> (1-1/8")	24mm (7/8")
<b>SB15IS</b>	<b>15mm</b> (9/16")	9mm (5/16")

**Standard Band Widths**

105mm or 4"
150mm or 6"
210mm or 8"
225mm or 9"
255mm or 10"
300mm or 12"
360mm or 14"
405mm or 16"
450mm or 18"
510mm or 20"
600mm or 24"
750mm or 30"
900mm or 36"

**Standard Colors/Finishes**

Powder Coated      (44) Standard Polyurethane Coated  
 A02 Black      Custom Colors Available  
 A43 Putty  
 A44 Architectural Brown      Natural Satin Anodized  
 A72 Bone White  
 A78 Pearl Grey

**Insert Options**



**SWMS\***  
 SignWord Paper  
 Inserts w/Laser  
 Printed Copy &  
 Protective Overlay



**SB010**  
 10mil Lexan  
 w/Subsurface  
 Graphics



**SB020**  
 20mil Polyester  
 w/applied back-  
 ground color and  
 Surface Graphics

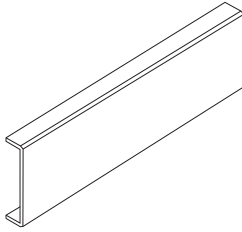


**SBADA**  
 ADA Photo-polymer  
 ADA Inserts

\* Clear Protective Overlay is automatically included with factory produced and cut SignWord paper with Insert Slots unless otherwise specified.

**ColorBand**

Injection Molded Plastic



<b>Part Code</b>	<b>Overall Height</b>	<b>Display Height</b>	<b>Width</b>
<b>SBP30-225</b>	30mm (1-1/8")	28mm (1-1/16")	225mm (8-7/8")
<b>SBP45-225</b>	45mm (1-3/4")	43mm (1-11/16")	225mm (8-7/8")
<b>SBP60-150</b>	60mm (2-3/8")	58mm (2-15/16")	150mm (5-7/8")
<b>SBP60-225</b>	60mm (2-3/8")	58mm (2-15/16")	225mm (8-7/8")
<b>SBP150-150</b>	150mm (5-7/8")	147mm (5-3/4")	150mm (5-7/8")
<b>SBP150-225</b>	150mm (5-7/8")	147mm (5-3/4")	225mm (8-7/8")

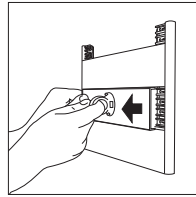
**Standard Colors**

*Integral Colors*

- A02 Black
- A43 Putty
- A44 Architectural Brown
- A72 Bone White
- A78 Pearl Grey

*Painted Colors*

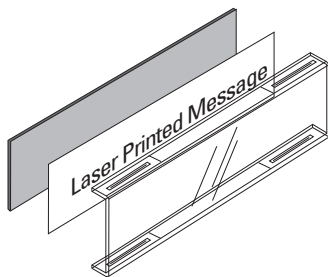
- (44) Standard
- Custom Colors



Insert Removal using  
 APCO Suction Cup Tool  
 (SCT)

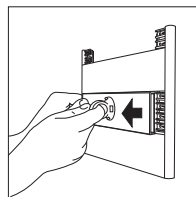
**ClearBand**

Injection Molded Plastic



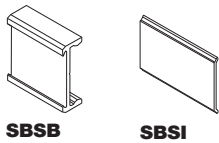
**User Lettering  
 Solution**

<b>Part Code</b>	<b>Overall Height</b>	<b>Display Height</b>	<b>Width</b>
<b>SBP30-225-CL</b>	30mm (1-1/8")	24mm (7/8")	225mm (8-7/8")
<b>SBP45-225-CL</b>	45mm (1-3/4")	37mm (1-7/16")	225mm (8-7/8")
<b>SBP60-150-CL</b>	60mm (2-3/8")	52mm (2-1/16")	150mm (5-7/8")
<b>SBP60-225-CL</b>	60mm (2-3/8")	52mm (2-1/16")	225mm (8-7/8")
<b>SBP150-150-CL</b>	150mm (5-7/8")	147mm (5-3/4")	150mm (5-7/8")
<b>SBP150-225-CL</b>	150mm (5-7/8")	147mm (5-3/4")	225mm (8-7/8")

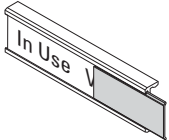


Insert Removal using  
 APCO Suction Cup Tool  
 (SCT)

**Changeable Slide Options**

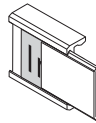


**SBSB**      **SBSI**



Part Code	Overall Height	Display Height
<b>SBSB w/SBSI</b>	<b>30mm (1-1/8")</b>	<b>24mm (7/8")</b>

**Copy Options for SBSB**



**Standard**  
15mil vinyl inlay w/surface sprayed background and surface silkscreened copy

**Standard Colors/Finishes**

- A02 Black
- A43 Putty
- A44 Architectural Brown
- A72 Bone White
- A78 Pearl Grey

(44) Standard Polyurethane Coated  
Custom Colors Available

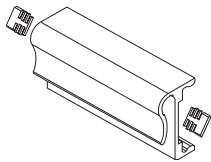
Natural Satin Anodized

**Standard Widths**

150mm or 6"
210mm or 8"
225mm or 9"
255mm or 10"
300mm or 12"

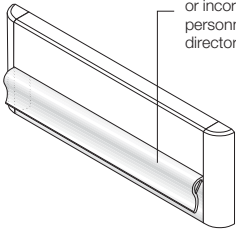
NOTE: SBSI is half the width of the SBSB standard width shown.

**SignBand Notifier Message Strip**

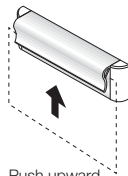


Note up to 1/64" (.397mm) thick

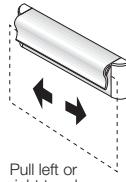
SignBand Notifier can be used alone or incorporated as a component of personnel signs, room signs, directories, etc.



Part Code	Total Height
<b>SB30N</b>	<b>30mm (1-1/8")</b>



Push upward to grip paper.



Pull left or right to release.

**Standard Colors/Finishes**

- A02 Black
- A43 Putty
- A44 Architectural Brown
- A72 Bone White
- A78 Pearl Grey

(44) Standard Polyurethane Coated  
Custom Colors Available

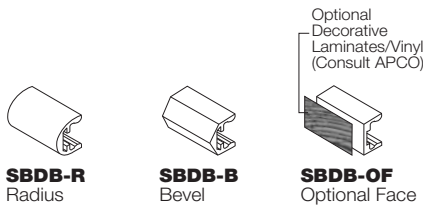
Natural Satin Anodized

**Standard Widths**

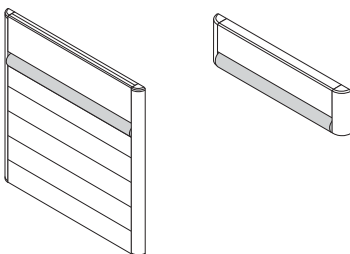
(105mm) or 4"
(150mm) or 6"
(210mm) or 8"
(225mm) or 9"
(255mm) or 10"
(300mm) or 12"
(360mm) or 14"
(405mm) or 16"
(450mm) or 18"
(510mm) or 20"
(600mm) or 24"

\* Notifier ends will be natural aluminum when powder coated finishes are selected.

**Decorative Elements**



**SBDB-R** Radius      **SBDB-B** Bevel      **SBDB-OF** Optional Face



Part Code	Total Height
<b>SBDB-R</b>	<b>15mm (9/16")</b>
<b>SBDB-B</b>	<b>15mm (9/16")</b>
<b>SBDB-OF</b>	<b>15mm (9/16")</b>

**Standard Colors/Finishes**

- A02 Black
- A43 Putty
- A44 Architectural Brown
- A72 Bone White
- A78 Pearl Grey

(44) Standard Polyurethane Coated  
Custom Colors Available

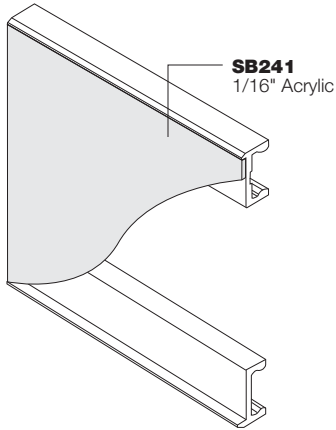
Natural Satin Anodized

**Standard Widths**

105mm or 4"
150mm or 6"
210mm or 8"
225mm or 9"
255mm or 10"
300mm or 12"
360mm or 14"
405mm or 16"
450mm or 18"
510mm or 20"
600mm or 24"
750mm or 30"
900mm or 36"

**Acrylic Plaque Inserts**

**Metric Conversion**  
**1" = 25.4 mm**

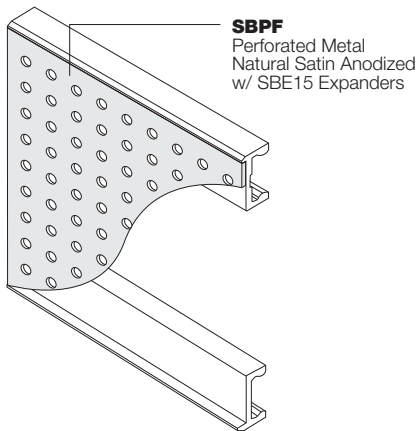


<b>SB241 Height</b>
<b>180mm</b> (7-1/16")
<b>195mm</b> (7-3/4")
<b>210mm</b> (8-1/4")
<b>225mm</b> (8-7/8")
<b>255mm</b> (10")
<b>300mm</b> (11-3/4")
<b>360mm</b> (14")
<b>405mm</b> (16")

<b>Standard Widths</b>
150mm or 6"
210mm or 8"
225mm or 9"
255mm or 10"
300mm or 12"
360mm or 14"
405mm or 16"
450mm or 18"
510mm or 20"
600mm or 24"
750mm or 30"
900mm or 36"

Note: Consult APCO for custom sizes

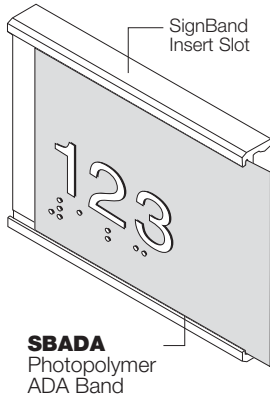
**Decorative Perforated Metal Inserts**



<b>SB241 Height</b>
<b>45mm</b> (1-3/4")
<b>60mm</b> (2-3/8")
<b>90mm</b> (7-1/16")
<b>120mm</b> (4-3/4")
<b>150mm</b> (5-7/8")
<b>180mm</b> (7-1/6")
<b>195mm</b> (7-3/4")
<b>210mm</b> (8-1/4")
<b>225mm</b> (8-7/8")
<b>255mm</b> (10")
<b>300mm</b> (11-3/4")
<b>405mm</b> (16")

<b>Standard Widths</b>
150mm or 6"
210mm or 8"
225mm or 9"
255mm or 10"
300mm or 12"
360mm or 14"
405mm or 16"
450mm or 18"
510mm or 20"
600mm or 24"
750mm or 30"
900mm or 36"

**Photopolymer ADA Bands for SignBand Insert Slots**



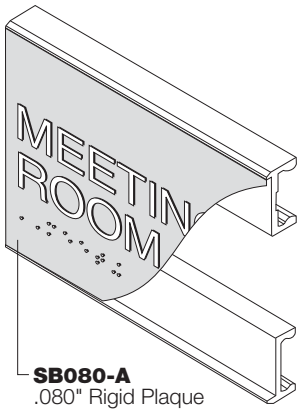
**SBADA Height**

<b>45mm</b> (1-3/4")
<b>60mm</b> (2-3/8")
<b>90mm</b> (3-1/2")

**Standard Widths**

45mm or 2"
105mm or 4"
150mm or 6"
210mm or 8"
225mm or 9"
255mm or 10"
300mm or 12"

**Rigid ADA Plaques**



**SB080-A Height**

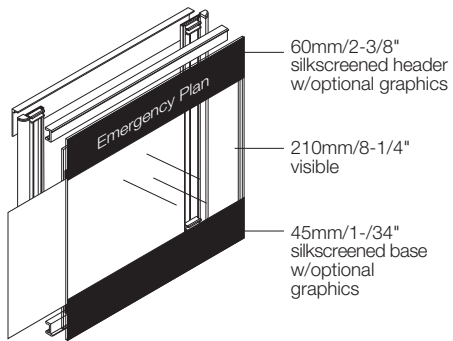
<b>60mm</b> (2-3/8")
<b>90mm</b> (3-1/2")
<b>120mm</b> (4-3/4")
<b>150mm</b> (5-7/8")
<b>180mm</b> (7-1/16")
<b>195mm</b> (7-3/4")
<b>210mm</b> (8-1/4")
<b>225mm</b> (8-7/8")
<b>255mm</b> (10")
<b>300mm</b> (11-3/4")

**Standard Widths**

150mm or 6"
210mm or 8"
225mm or 9"
255mm or 10"
300mm or 12"
360mm or 14"

**Emergency Plan**

(Landscape Configuration Window Sign)

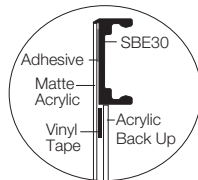


**Poster Size**

HxW  
8-1/2" x 11"  
(216mm x 279mm)

**Inside Dimensions**

(Not including Side Track profile)  
**315mm x 280mm**  
12-1/4" x 11"

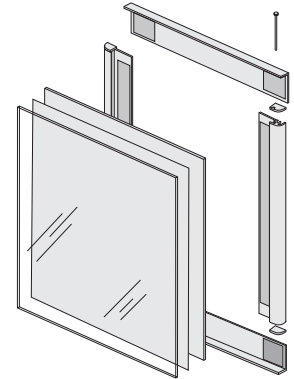


**STEP8511**

**315mm x 280mm**  
12-1/4" x 11"

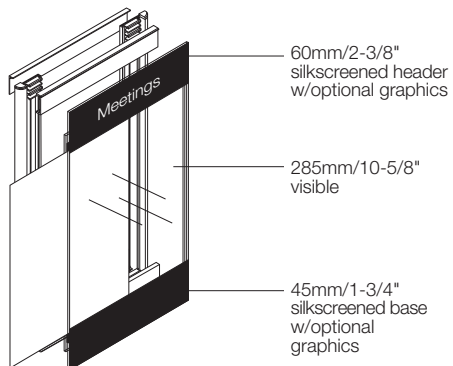
**Window Sign Solution!**

For a wide range of aesthetically compatible and low-profile window sign solutions, see the award-winning **FullView** in **Section 4.3**.



**Poster Holder**

(Portrait Configuration Window Sign)

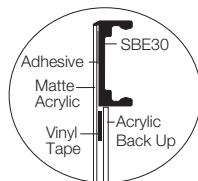


**Poster Size**

HxW  
11" x 8-1/2"  
(279mm x 216mm)

**Inside Dimensions**

(Not including Side Track profile)  
**375mm x 216mm**  
12-1/2" x 8-1/2"

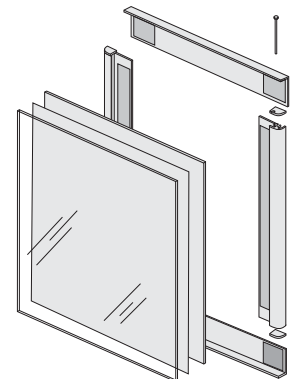


**STPH1185**

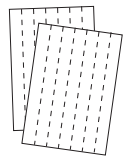
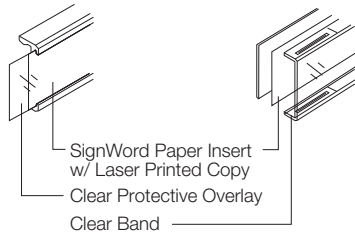
**375mm x 216mm**  
12-1/2" x 8-1/2"

**Window Sign Solution!**

For a wide range of aesthetically compatible and low-profile window sign solutions, see the award-winning **FullView** in **Section 4.3**.



**SignWord Paper Inserts**



Code	Description	Stock Length*	Yield**
<b>SWMS15</b>	For 15mm Insert Slot	11" (280mm)	600/pack of 50 sheets
<b>SWMS30</b>	For 30mm Insert Slot & Clear Band	14" (355mm)	400/pack of 50 sheets
<b>SWMS45</b>	For 45mm Insert Slot & Clear Band	14" (355mm)	250/pack of 50 sheets
<b>SWMS60</b>	For 60mm Insert Slot & Clear Band	14" (355mm)	150/pack of 50 sheets
<b>SWMS90</b>	For 90mm Insert Slot	14" (355mm)	150/pack of 50 sheets
<b>SWMS150</b>	For 150mm Clear Band	11" (280mm)	50/pack of 50 sheets
<b>SWS8511</b>	Paper Inserts for ST11-EP8511 & ST85-PH1185 (pg 4.2.110)	8.5" x 11" (216mm x 279mm)	50/pack of 50 sheets

\* This is the maximum length/width. Paper inserts may be cut to smaller standard widths as specified.  
 \*\* SignWord Paper Inserts and Clear Overlay are also available cut-to-size and printed by APCO. Clear Overlay is included with every factory produced and cut SignWord paper for Insert Slot unless otherwise specified.  
 \*\*\* See pages 4.2.105-106 for full range of SignBand Insert Slots and Clear Bands which are compatible with these SignWord paper inserts.

**SignWord<sup>®</sup> Paper Colors**

- A72 Bone White / A00 White (on reverse)
- A43 Putty / A94 Sand (on reverse)
- A47 Light Grey
- A78 Pearl Grey

Custom colors available. Consult APCO



**SWPRO**  
SignWord<sup>®</sup> Pro Software

**Minimum System Requirements**

- PC running Windows<sup>®</sup> 3.x/95/98/NT
- 16 MB RAM
- 5 MB free disk space
- Laser or Inkjet printer

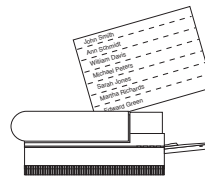
**3 Easy Steps**

**1** Create



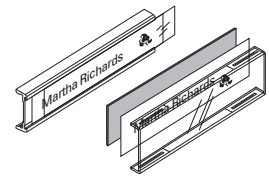
With SignWord Pro Software, enter your message and symbols using preestablished formats or your own custom layouts.

**2** Print



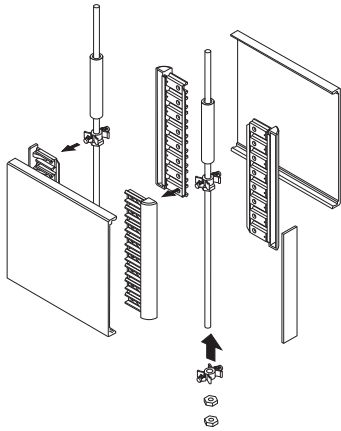
Print the image on a special paper that is perforated and colored to match the sign holder.

**3** Insert



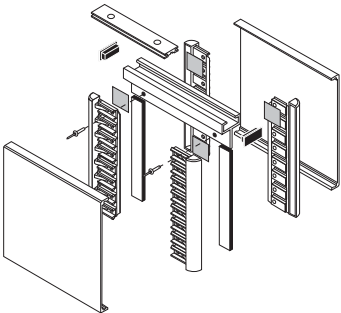
Punch out the sign insert and place it in the Insert Slot or Clear Band and PRESTO - in less than 60 seconds a complete sign!

**Ceiling Signs**



**SBEC-SCM\***

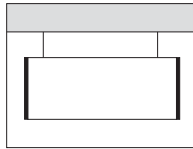
Suspended Ceiling Signs Featuring Injection Molded End Clips and the Injection Molded Link (SBLK)



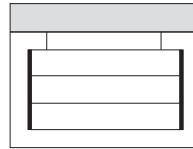
**SBEC-FCM\***

Flush Mount Ceiling Signs Featuring Injection Molded End Clips, Plastic Ceiling Mount Track and Aluminum Ceiling Attachment Extrusion (CMA)

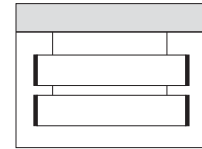
**Suspended Ceiling Sign Configurations**



**SBEC-SCM11**  
Single Sign Band,  
Single Pair End Clips

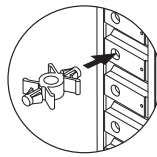


**SBEC-SCM21**  
Multiple Sign Bands,  
Single Pair End Clips



**SBEC-SCM22**  
Multiple Sign Bands,  
Multiple Pairs End Clips

Consult APCO for more details concerning sizes, configurations, etc.

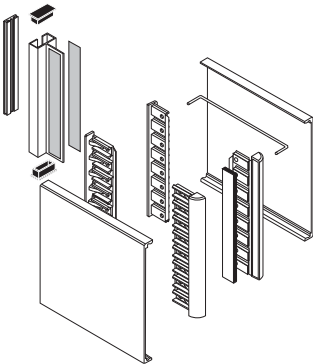


Links End Clips horizontally for ceiling attachment.

**Ceiling Sign Solution!**

For a wide range of aesthetically compatible and low-profile ceiling sign solutions, see the award-winning **FullView** in **Section 4.3**.

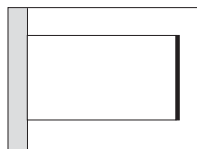
**Projection Wall Signs**



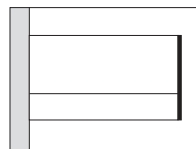
**SBEC-PM\***

Projection Wall Signs Featuring Injection Molded End Clips, Plastic Mounting Track (CMT) and Aluminum Attachment Extrusion (CMA)

**Projection Wall Configurations Featuring End Clips**



**SBEC-PM1**  
Single Sign Band



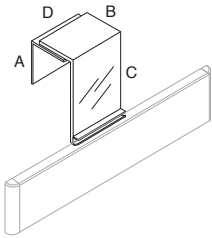
**SBEC-PM2**  
Multiple Sign Bands

Maximum height: 210mm  
Maximum width: 225mm

**Projection Wall Sign Solution!**

For a wide range of aesthetically compatible and low-profile projection wall sign solutions, see the award-winning **FullView** in **Section 4.3**.

**Standard Plastic Panel Clip**



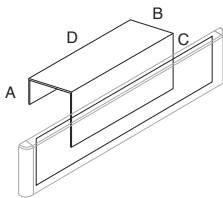
Code	Angle	Minimum Dimension	Maximum Dimension
<b>SBPC</b>	A	1-1/2"	1-1/2"
	B	1-1/8"	2-1/4"
	C	2"	2"
	D	3-5/8"	3-5/8"

Compatible End Clip Heights: All to 210mm

**SBPC**  
Panel Clip

A clear, plastic clip snaps onto return of SignBand. Width (B) adjustable by attaching two separate legs with clear double-sided tape.

**Custom Aluminum Panel Clips**



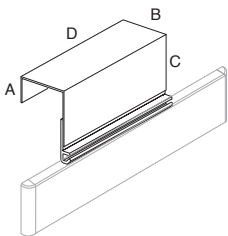
Code	Angle	Minimum Dimension	Maximum Dimension
<b>SBPCA-AB</b>	A	1/2"	1"
	B	1"	3"
	C	0"	3"
	D	2"	4"

Compatible End Clip Heights: All to 210mm

**SBPCA-AB**  
Aluminum Clip / Aluminum Backer

An EndClip sign is attached to an aluminum backplate via double-sided tape. A custom-formed aluminum panel clip is then adhered to the back of the sign assembly via double-sided tape.

**Standard Colors/Finishes**  
Natural Satin Anodized  
Painted  
- 44+ Standard  
- Custom



Code	Angle	Minimum Dimension	Maximum Dimension
<b>SBPCA-SN</b>	A	1/2"	1"
	B	1"	3"
	C	0"	3"
	D	2"	4"

Compatible End Clip Heights: All to 210mm

**SBPCA-SN**  
Aluminum Clip / Snap Fit to SignBand

The "snap" portion of a standard SBPC Panel Clip is attached to the bottom face of a custom-formed aluminum panel clip. That assembly is then attached/snapped to upper or lower return of a SignBand or InsertSlot.

**Standard Colors/Finishes**  
Natural Satin Anodized  
Painted  
- 44+ Standard  
- Custom

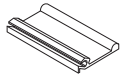


**PIN  
PIN-U**  
PinLock Fasteners



*For Fabric Surfaces*

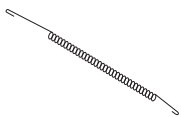
**Note:** A new, improved Dual Pin (PIN-U) is available for the majority of fabric attachment situations, providing a sturdy, quality mounting solution. Consult APCO for details.



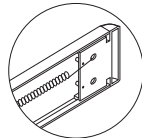
**SBDSE**  
Desk Sign Extrusion  
(Black Plastic)



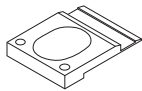
*For 30mm or 45mm Desk Signs.*



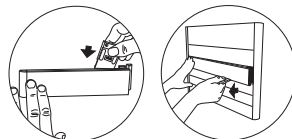
**SBECS**  
End Clip  
Support Spring



*For Desk Sign & Office Partition/Panel Clip signs.  
Consult APCO to see if spring is recommended  
for your application.*



**SBRMT**  
SignBand  
Removal Tool

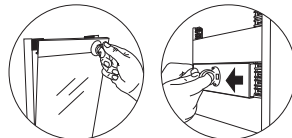


*For removal of SignBands & SignBand Insert  
Slots.*

**Important Note:** Please consult APCO or visit the APCO website for detailed instructions for proper removal and replacement of Accord inserts. If proper procedure is not followed correctly, damage to sign may occur.



**SCT**  
Standard Suction  
Cup Tool

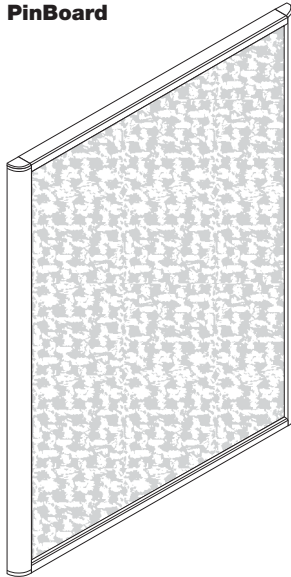


*For insert removal of single insert SideTrack  
signs , Poster Holder/EP/Window Sign inserts  
and Accord 15 Express Color Band and Clear  
Bands.*

**Product Instructions**

(Consult APCO or visit the APCO website @  
[www.apcosigns.com](http://www.apcosigns.com))

**PinBoard**



Code	Size (height x width)
<b>APB1212</b>	12" x 12"
<b>APB1218</b>	12" x 18"
<b>APB1812</b>	18" x 12"
<b>APB1824</b>	18" x 24"
<b>APB2436</b>	24" x 36"

**Standard Fabric Colors**

214 Peppermill  
 179 Mintless  
 218 Gunmetal  
 240 Mercury  
 194 Sulphur Grey

**Standard Frame Colors/Finishes**

Natural Satin Anodized  
 Coated  
 A72 Bone White  
 A02 Black  
 A44 Architectural Brown  
 A43 Putty

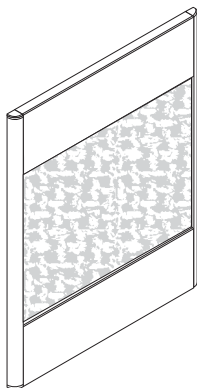
**Profile Shapes**

Radius  
 Square  
 Bevel

**APB**

A refreshing departure from the traditional fabric bulletin board look, the Accord Pin Board offers a range of five sizes and five textured fabrics. The low-profile (5/8" depth) vertical frame is available in three shapes and four standard coated finishes, as well as Natural Satin Anodized. All mounting fasteners are concealed. Custom fabrics, sizes and colors are available for volume orders with APCO Engineering Department approval.

**Mini PinBoard**



Code	Size (height x width)
<b>AMPB120-225</b>	120mm (4-3/4") x 225mm (8-7/8")
<b>AMPB150-225</b>	150mm (5-7/8") x 225mm (8-7/8")
<b>AMPB210-225</b>	210mm (8-1/4") x 225mm (8-7/8")
<b>AMPB300-225</b>	300mm (11-3/4") x 225mm (8-7/8")

**Standard Frame Colors/Finishes**

Natural Satin Anodized  
 Coated  
 A72 Bone White  
 A02 Black  
 A44 Architectural Brown  
 A43 Putty

**Standard Fabric Colors**

214 Peppermill  
 179 Mintless  
 218 Gunmetal  
 240 Mercury  
 194 Sulphur Grey

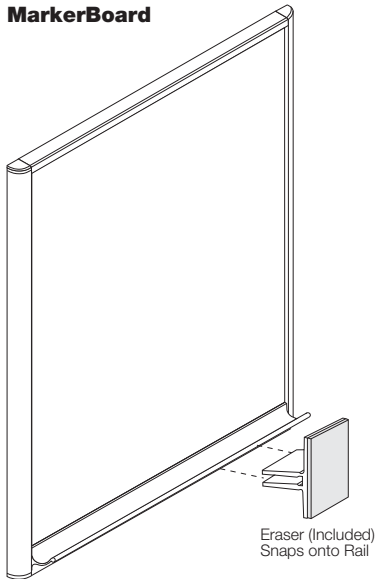
**Profile Shapes**

Radius  
 Square  
 Bevel

**AMPB**

The Accord Mini PinBoard is used within Accord Side Track assemblies with 225mm widths. MUST include both a Header and Base insert band.

**MarkerBoard**



Eraser (Included)  
Snaps onto Rail

Code	Size (height x width)
<b>AMB1212</b>	12" x 12"
<b>AMPB1218</b>	12" x 18"
<b>AMB1812</b>	18" x 12"
<b>AMB1824</b>	18" x 24"
<b>AMB2436</b>	24" x 36"

**Standard Frame Colors/Finishes**

Natural Satin Anodized  
Coated  
A72 Bone White  
A02 Black  
A44 Architectural Brown  
A43 Putty

**Standard MarkerRail Finish**

Natural Satin Anodized

**MarkerBoard Finish**

White

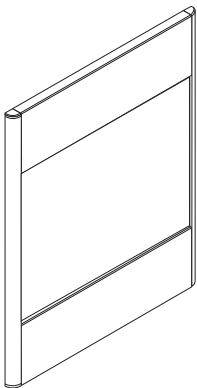
**Profile Shapes**

Radius  
Square  
Bevel

**AMB**

The Accord 15 MarkerBoard consists of a white dry-erase board laminated or adhered to a sturdy backer. The writing surface is durable and stain-resistant. All mounting fasteners are concealed. A full length Marker Rail is included for storing markers and the clip-on eraser.

**Mini MarkerBoard**



Code	Size (height x width)
<b>AMMB120-225</b>	120mm (4-3/4") x 225mm (8-7/8")
<b>AMMB150-225</b>	150mm (5-7/8") x 225mm (8-7/8")
<b>AMMB210-225</b>	210mm (8-1/4") x 225mm (8-7/8")
<b>AMMB300-225</b>	300mm (11-3/4") x 225mm (8-7/8")

**Standard Frame Colors/Finishes**

Natural Satin Anodized  
Coated  
A72 Bone White  
A02 Black  
A44 Architectural Brown  
A43 Putty

**Standard MarkerRail Finish**

Natural Satin Anodized

**MarkerBoard Finish**

White

**Profile Shapes**

Radius  
Square  
Bevel

**AMMB**

The Mini MarkerBoard is used within Accord 15 assemblies with 225mm widths and, in most cases, must include a Header and Base insert band. For sizes up to and including 150mm in height, the Mini can stand alone. The Marker Rail is optional and may be affixed to either the base insert or to the board itself.

Custom applications and configurations are also available. Consult APCO.