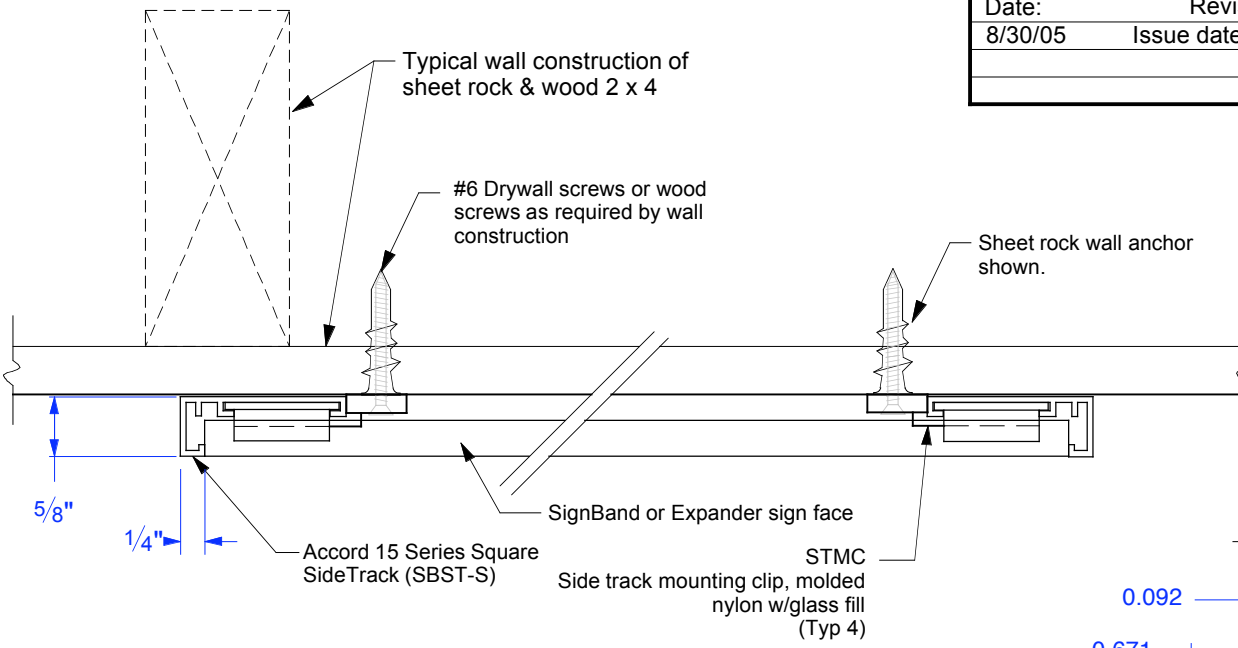


| | |
|---------|---------------------------|
| Date: | Revisions |
| 8/30/05 | Issue date this sheet BHB |
| | |
| | |



TOP SECTION VIEW OF MECHANICAL FASTENERS
Scale: 1/2" = 1"

NOTE: Wall mounting surfaces vary greatly, due to paint types, wall covering, flatness over sign size areas.

Installation of sign products using foam tape must account for these conditions and allow for long term adhesion.

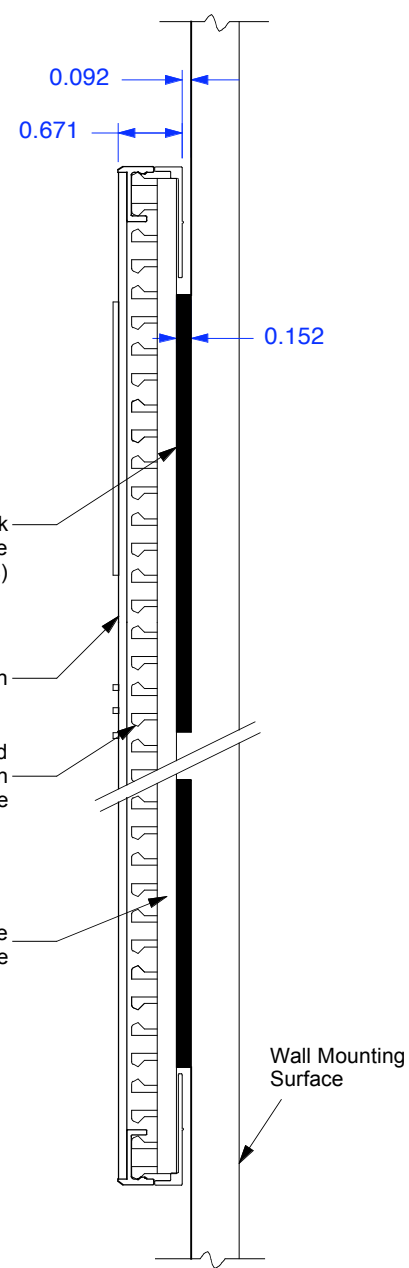
The rule is: (4) square inches of tape coverage per (1) pound of sign weight.

Vertical orientation of tape is better than horizontal orientation due to peel characteristics of tape on wall surfaces.

Silicone should be used in any tape application to assist the bond for tape. Should wall surfaces be uneven, tape will tend to pull away over time. Silicone will flex and take the weight load in the event tape pulls away.

Signs that are 8" x 8" or smaller generally are light weight enough to use tape/silicone mounting only, although MF (mechanical fasteners) may be specified also.

Larger size signs used as directories and maps should always be mechanical fastened using SideTrack Mounting Clips provided by APCO and specified by order.



SIDE SECTION VIEW OF "VT" MOUNTING
Scale: 1/2" = 1"

APCO 388 Grant Street, SE • Atlanta, Georgia USA 30312-2227 • Telephone (404) 688-9000 • FAX (404) 577-3847

Description: Accord 15 Series - Wall Mounting Specifications
 Material: Mechanical Fasteners & Tape Mounting (VT)
 Finish/Color: na

Comments:

Product Code
 Sheet 1 of 1
 All Design Rights Reserved