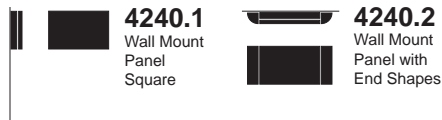


# PolySignT Single Panel Series

## Internally Illuminated Fiberglass



## Assembly & Installation



### Handling

Make sure containers are flat prior to opening, using care not to damage the contents. Depending upon the size of the panel, more than 2 people may be needed for handling. When handling large PolySigns assure that there are an appropriate number of persons to accomplish this before removing the sign from its shipping container. Lay components on a smooth surface. It is preferable to use furniture pads, carpet or even the corrugated board which is found within the shipping crate.

IT IS SUGGESTED THAT YOU NOT REMOVE THE PROTECTIVE WRAPPINGS UNTIL INSTALLATION IS COMPLETE. THIS WILL HELP AVOID DAMAGE TO THE OUTER SURFACES WHILE HANDLING. HOWEVER, IF IT IS NECESSARY TO STORE SIGN OUTSIDE, EXPOSED TO THE ELEMENTS, THIS MATERIAL MUST FIRST BE REMOVED.

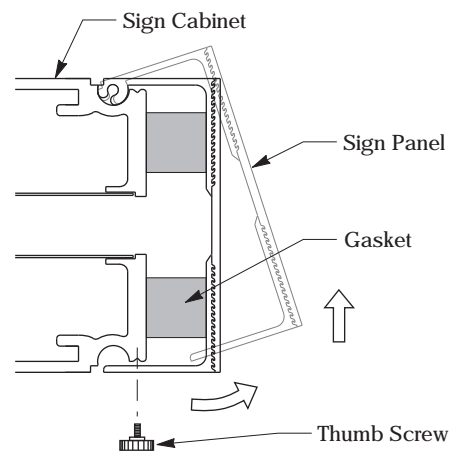
The following general information will be helpful, but it is not meant to cover all possible conditions and situations that may occur.

### Sign Panel Removal

Prior to installation, the sign panel must be removed for access to assembly or mounting hardware. Depending upon the size of the panel, more than 2 people may be needed for handling. To avoid racking and twisting, assure there are an appropriate number of persons to accomplish this *before* removing the sign panel.

1. Loosen and remove the thumb screws located across the lower edge of the sign panel.
2. Rotate lower edge of panel outward then lift it upward to remove. Store panel in a safe place while sign is being prepared for installation.
3. Remove all fluorescent lamps and store them in a safe place.

**Important:** In windy conditions, care should be taken not to allow the sign panel to be caught and damaged by an unexpected strong wind.

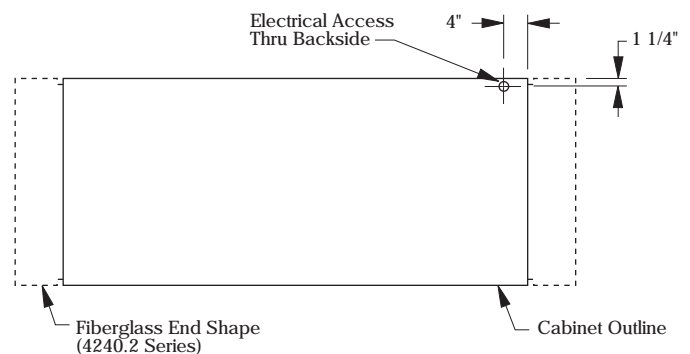


### Electrical

All illuminated PolySign products are equipped with an internal disconnect switch located along the bottom horizontal cabinet member *unless otherwise specified*.

An electrical access hole is provided thru the backside of the cabinet housing in the upper, right hand corner *unless otherwise specified*. The sign's internal disconnect switch has been provided with an electrical pigtail which protrudes thru this hole. Labels that indicate voltage are found near the electrical supply access.

Electrical connections must be made in accordance with local codes, ordinances and/or National Electrical Codes. Connections should always be performed by a qualified electrician only after installation and placement of sign is complete.



# PolySignT Single Panel Series

## Internally Illuminated Fiberglass



## Assembly & Installation



### Contractor Notice

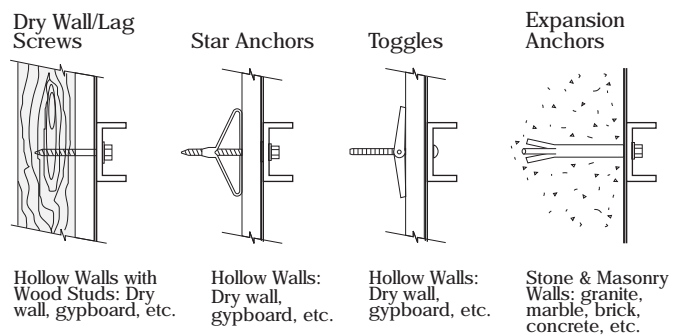
Electrical supply to the PolySign should be provided prior to sign installation. The method by which it exits the mounting surface should not allow any rigid conduit to extend beyond the surface.

Because of widely varying site conditions, installation techniques must be determined on an individual basis. While shop drawings may offer suggestions for mounting the PolySign, it should be understood that common sense, caution and care are factors which cannot be built into any product. These factors must be considered by the actual person(s) installing the product.

### Fastener Suggestions

Hardware for attaching the Wall Mounted version of PolySign is not included and should be specified by qualified persons based upon local codes, regulations, etc. Consideration must be given to conditions unique to each mounting structure.

APCO accepts no responsibility for installation unless performed by APCO. The illustration and details included are intended as suggestions only.



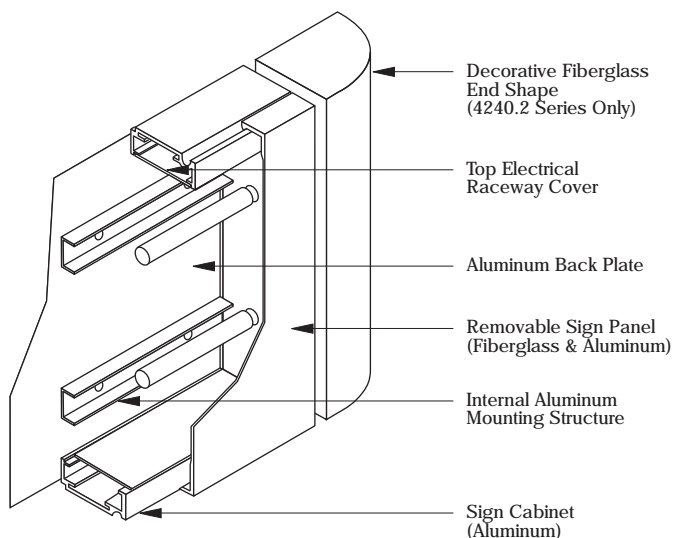
### Installation

Fiberglass end shapes (4240.2 series) are decorative and non-structural. Do not use the end shapes for lifting.

1. The top, right side internal electrical raceway cover is labeled "REMOVE THIS PANEL FOR INSTALLATION". Dislocate cover(s) using a 1/4" hex nut driver.

**Important:** When working in or around electrical raceways, extreme care must be taken to avoid damaging or pinching any wiring contained within.

2. Identify desired anchor locations (i.e. wood studs, masonry grout lines, etc.) and transfer a vertical line against the mounting surface. Allow the line to extend above and below top and bottom of sign. Use masking tape or non-permanent marker.
3. Temporarily locate the PolySign against the mounting surface so that the electrical access hole aligns with the electrical supply. Drill mounting holes thru cabinet's mounting structure. Depending on type of fastener chosen, a pilot hole may be required at this time or anchor/anchor receptacles may need to be set.
4. Anchor sign into place. Make electrical connections.
5. Reattach electrical raceway covers and reinstall sign face.



### Additional Information:

Should you encounter any problems whatsoever with installation, call (404) 688-9000 for technical assistance.