

# PolySign® Single Panel Series Illuminated Fiberglass



**4250.2**  
Base Mount Module  
with End Shapes

Customer : \_\_\_\_\_

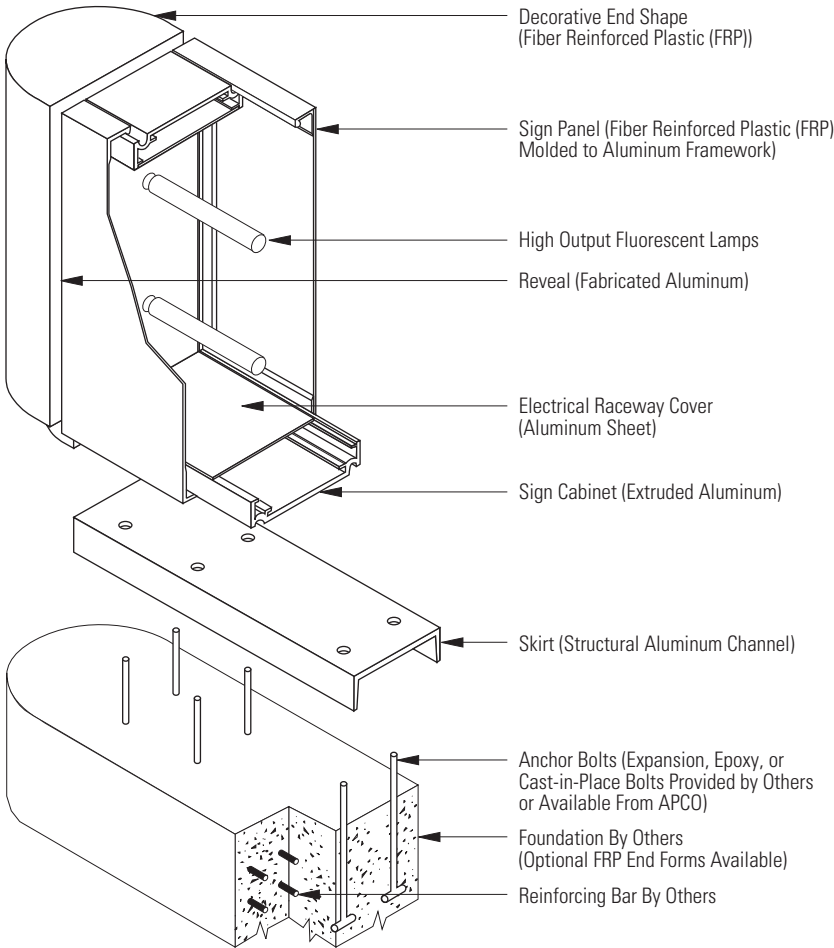
Customer Order No. : \_\_\_\_\_

Project Name : \_\_\_\_\_

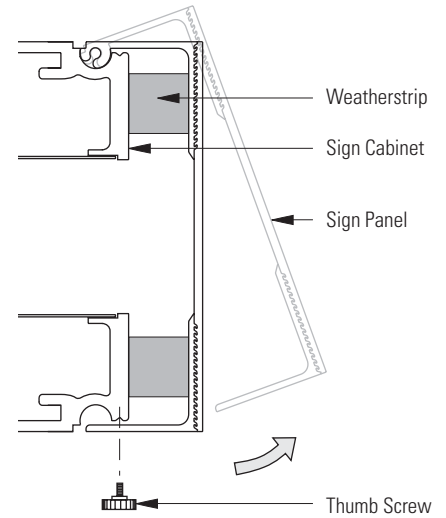
**APCO Order No.** : \_\_\_\_\_

Sign Type/Location No.: \_\_\_\_\_

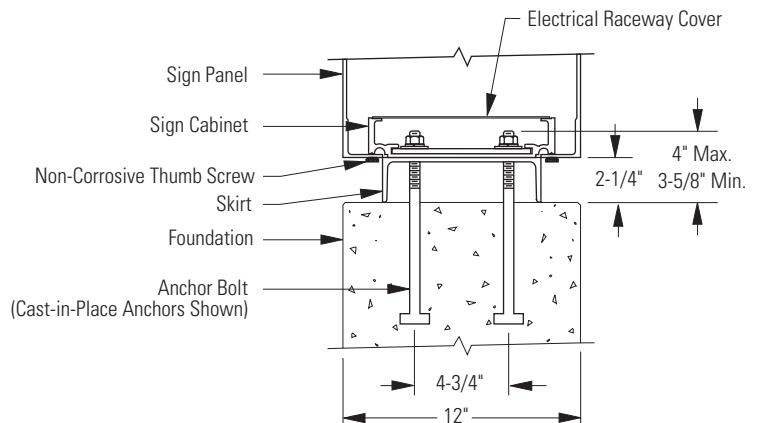
Prepared by : (Print clearly) \_\_\_\_\_ Date : \_\_\_\_\_



**Partial Exploded View**



**Sign Panel Operation**



**Partial Section View**

# PolySign® Single Panel Series Illuminated Fiberglass



**4250.2**  
Base Mount Module  
with End Shapes

## Sign Panel

Size: H. \_\_\_\_\_ W. \_\_\_\_\_  
(74 1/4" Max.)  
Background Color: \_\_\_\_\_

NOTE: Refer to Layout Drawing(s) for graphic layout and specifications.

## Sign Cabinet Finish

- To Match Sign Panel Background
- Other: \_\_\_\_\_

## Decorative FRP End Shape

- Radius  
(Adds 8" to each end of panel)
- Contour  
(Adds 12" to each end of panel)
- Optional Reusable Fiberglass Molds for Forming Foundation End Shapes (Qty.2)



## End Shape Finish

- To Match Sign Panel Background
- Other: \_\_\_\_\_

## Skirt Finish

- To Match Sign Panel Background
- Other: \_\_\_\_\_

## Reveal Finish

- To Match Sign Panel Background
- Other: \_\_\_\_\_

## Anchor Bolts

- Qty.: \_\_\_\_\_
- Provided By Others
  - Provided By APCO

## Electrical

- 120 V, 60Hz    277 V, 60Hz    Other \_\_\_\_\_
- Amperage: \_\_\_\_\_

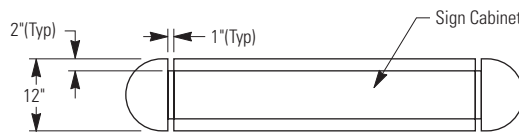
### NOTES:

Foundation design to be specified by qualified person(s) based on local geographical practices such as frost lines, soil conditions, etc. APCO accepts no responsibility for foundation design or sign installation unless performed by APCO.

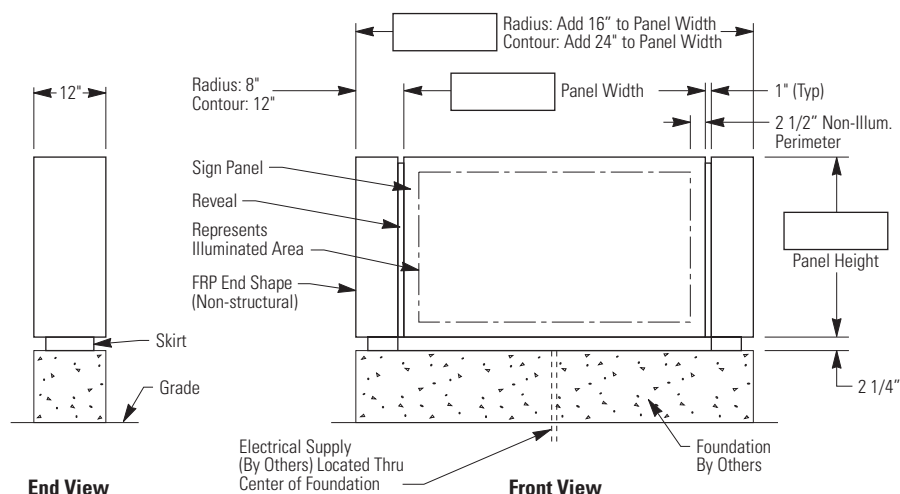
Electrical supply by others. All electrical connections to be performed by a licensed electrical contractor.

Anchor bolts to be specified by qualified persons and installed per manufacturer's recommendations.

Mounting patterns are available upon special request.

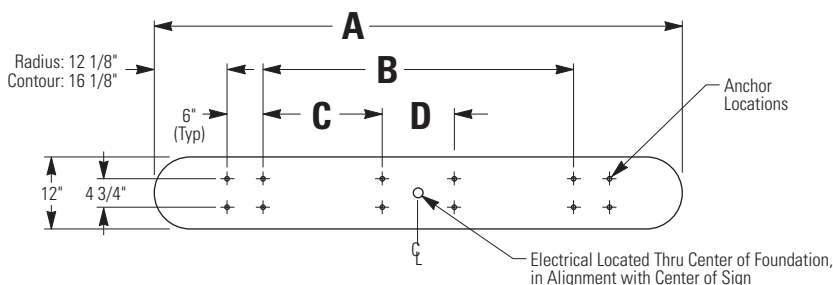


Plan View

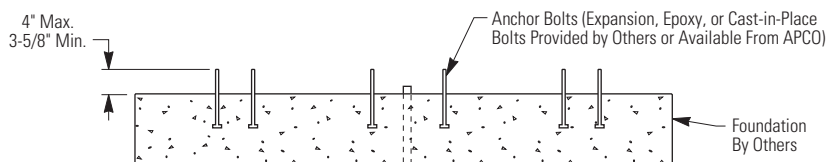


End View

Front View



Foundation Plan



Foundation Cross Section

Panel Width	38-1/4"	50-1/4"	62-1/4"	74-1/4"	86-1/4"	98-1/4"	110-1/4"	122-1/4"	144"
<b>A</b> Radius	54-1/4"	66-1/4"	78-1/4"	90-1/4"	102-1/4"	114-1/4"	126-1/4"	138-1/4"	160"
<b>A</b> Contour	62-1/4"	74-1/4"	86-1/2"	98-1/4"	110-1/4"	122-1/4"	134-1/4"	146-1/4"	168"
<b>B</b>	18"	30"	42"	54"	66"	78"	90"	102"	123-3/4"
<b>C</b>	~	~	~	21"	27"	33"	30"	34"	41-1/4"
<b>D</b>	~	~	~	12"	12"	12"	30"	34"	41-1/4"
Anchor Bolt Qty.	8	8	8	12	12	12	12	12	12