

PolySign® Single Panel Series Illuminated Fiberglass



4240.2
Surface Wall Mount Module
with End Shapes

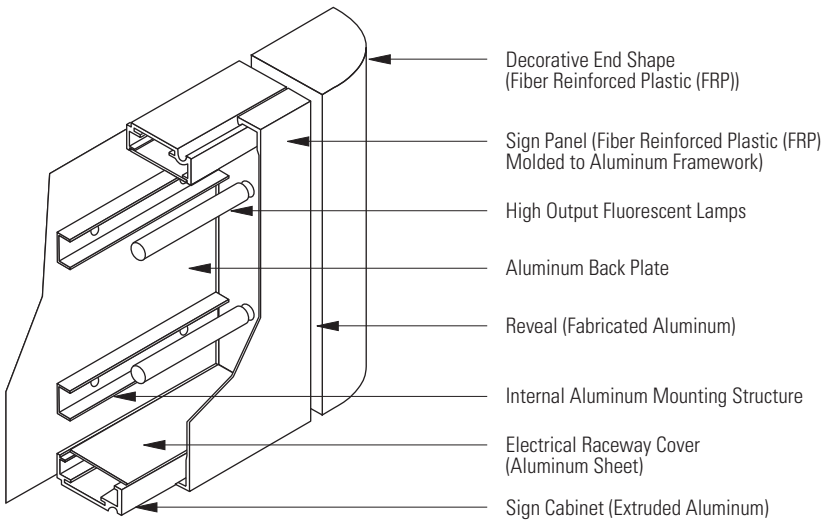
Customer : _____ Customer Order No. : _____

Project Name : _____ APCO Order No. : _____

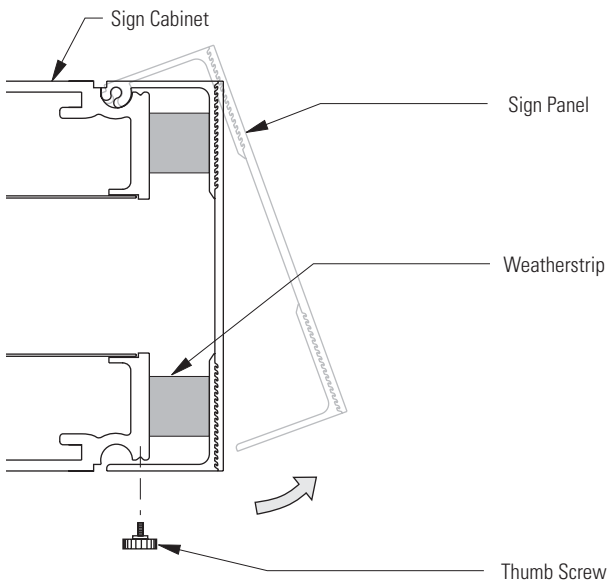
Sign Type/Location No.: _____

Prepared by : (Print clearly) _____ Date : _____

Partial Exploded View



Sign Panel Operation



PolySign® Single Panel Series Illuminated Fiberglass



4240.2 Surface Wall Mount Module with End Shapes

Sign Panel

Size: H. _____ W. _____
(74 1/4" Max.)
Background Color: _____

NOTE: Refer to Layout Drawing(s) for graphic layout and specifications.


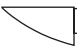
Sign Cabinet Finish

- Dark Bronze (Simulated Polyurethane)
- 315 Black (Simulated Polyurethane)
- Natural Satin (Simulated Polyurethane)
- Other: _____

Reveal Finish

- To Match Sign Panel Background
- Other: _____

Decorative FRP End Shape

- Radius (Adds 8" to each end of panel) 
- Contour (Adds 12" to each end of panel) 

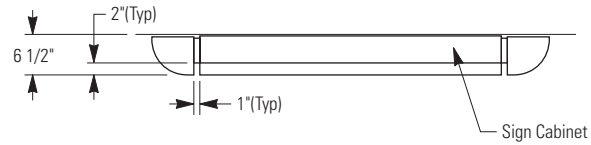
End Shape Finish

- To Match Sign Panel Background
- Other: _____

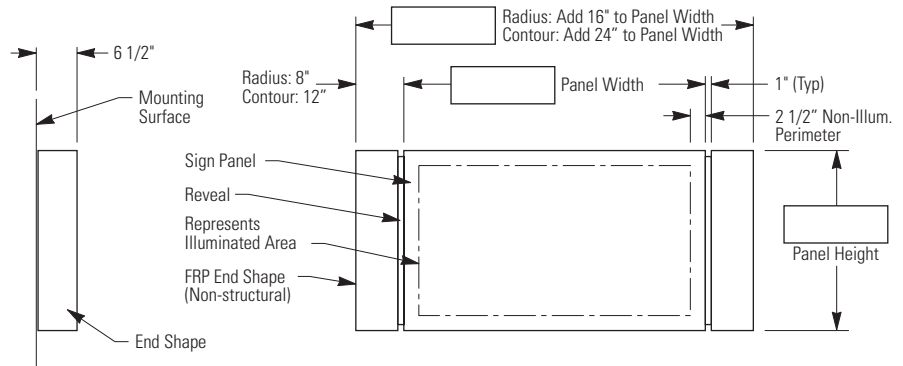
Electrical

- 120 V, 60Hz 277 V, 60Hz
 - Other: _____
- Amperage: _____

Special Comments



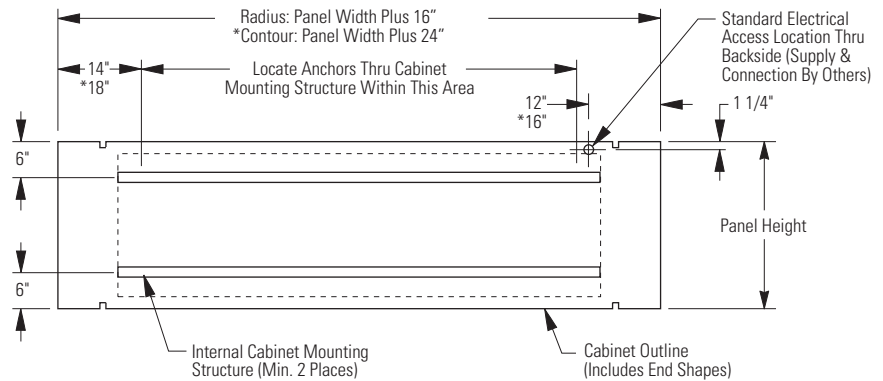
Plan View



End View

Front View

Internal Mounting Structure (Typical)



NOTES: Mounting holes are provided by installer. Anchor hardware and mounting technique must be specified by qualified person(s) based on local codes, regulations, etc. Consideration must be given to mounting surface conditions, strength of materials and conditions unique with each mounting surface.

APCO accepts no responsibility for installation unless performed by APCO.

Electrical supply by others. All electrical connections to be performed by a licensed electrical contractor.

Internal Mounting Structure Configuration

