

# PolySign® Single Panel Series Illuminated Fiberglass



**4240.1**  
Surface Wall Mount Module  
without End Shapes

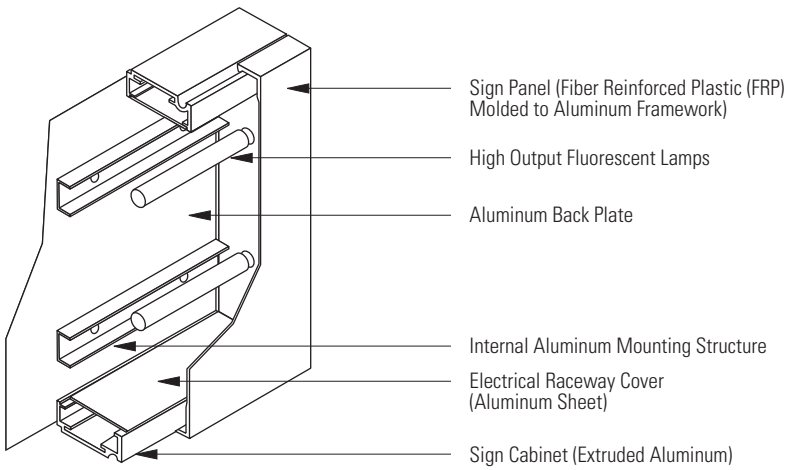
Customer : \_\_\_\_\_ Customer Order No. : \_\_\_\_\_

Project Name : \_\_\_\_\_ **APCO Order No.** : \_\_\_\_\_

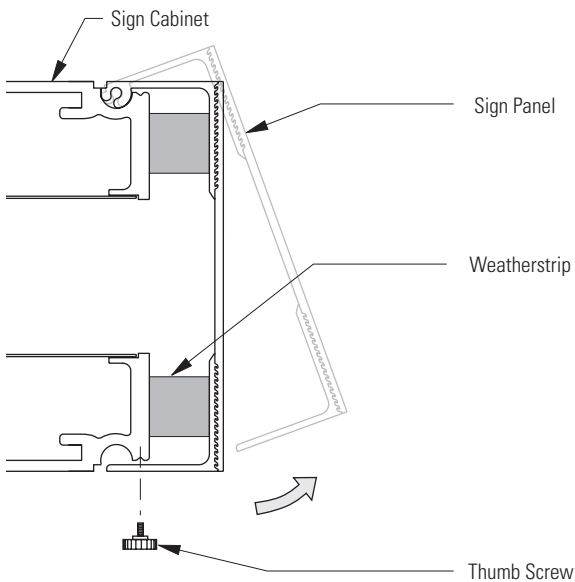
Sign Type/Location No.: \_\_\_\_\_

Prepared by : (Print clearly) \_\_\_\_\_ Date : \_\_\_\_\_

## Partial Exploded View



## Sign Panel Operation



# PolySign® Single Panel Series Illuminated Fiberglass



**4240.1**  
Surface Wall Mount Module  
without End Shapes

## Sign Panel

Size: H. \_\_\_\_\_ W. \_\_\_\_\_

Background Color: \_\_\_\_\_

NOTE: Refer to Layout Drawing(s) for graphic layout and specifications.

## Sign Cabinet Finish

- Dark Bronze (Simulated Polyurethane)
- 315 Black (Simulated Polyurethane)
- Natural Satin (Simulated Polyurethane)
- Other: \_\_\_\_\_

## Electrical

- 120 V, 60Hz       277 V, 60Hz
- Other: \_\_\_\_\_

Amperage: \_\_\_\_\_

## Special Comments

---



---



---



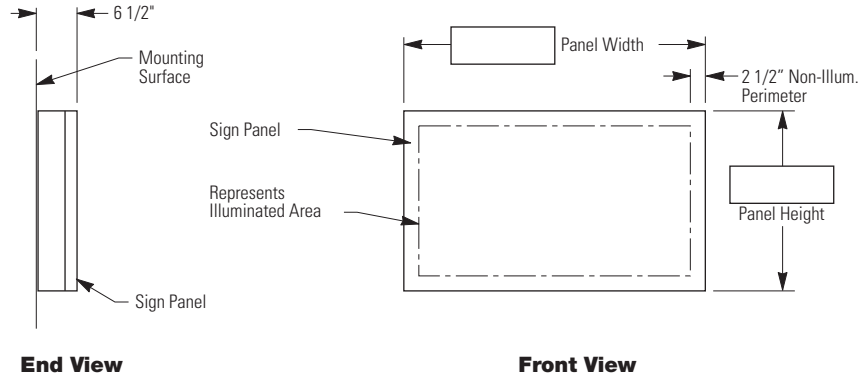
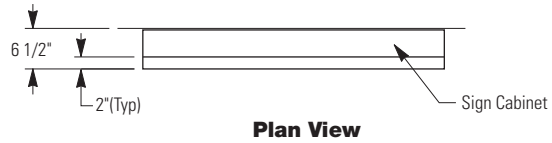
---

### NOTES:

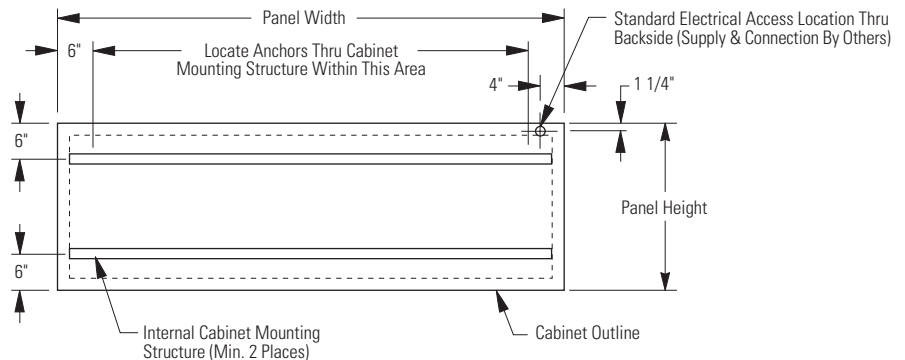
Mounting holes are provided by installer. Anchor hardware and mounting technique must be specified by qualified person(s) based on local codes, regulations, etc. Consideration must be given to mounting surface conditions, strength of materials and conditions unique with each mounting surface.

APCO accepts no responsibility for installation unless performed by APCO.

Electrical supply by others. All electrical connections to be performed by a licensed electrical contractor.



## Internal Mounting Structure (Typical)



## Internal Mounting Structure Configurations

