

PolySign® Single Panel Series Illuminated Fiberglass



4210.2
Double Companion Post and Panel

Customer : _____

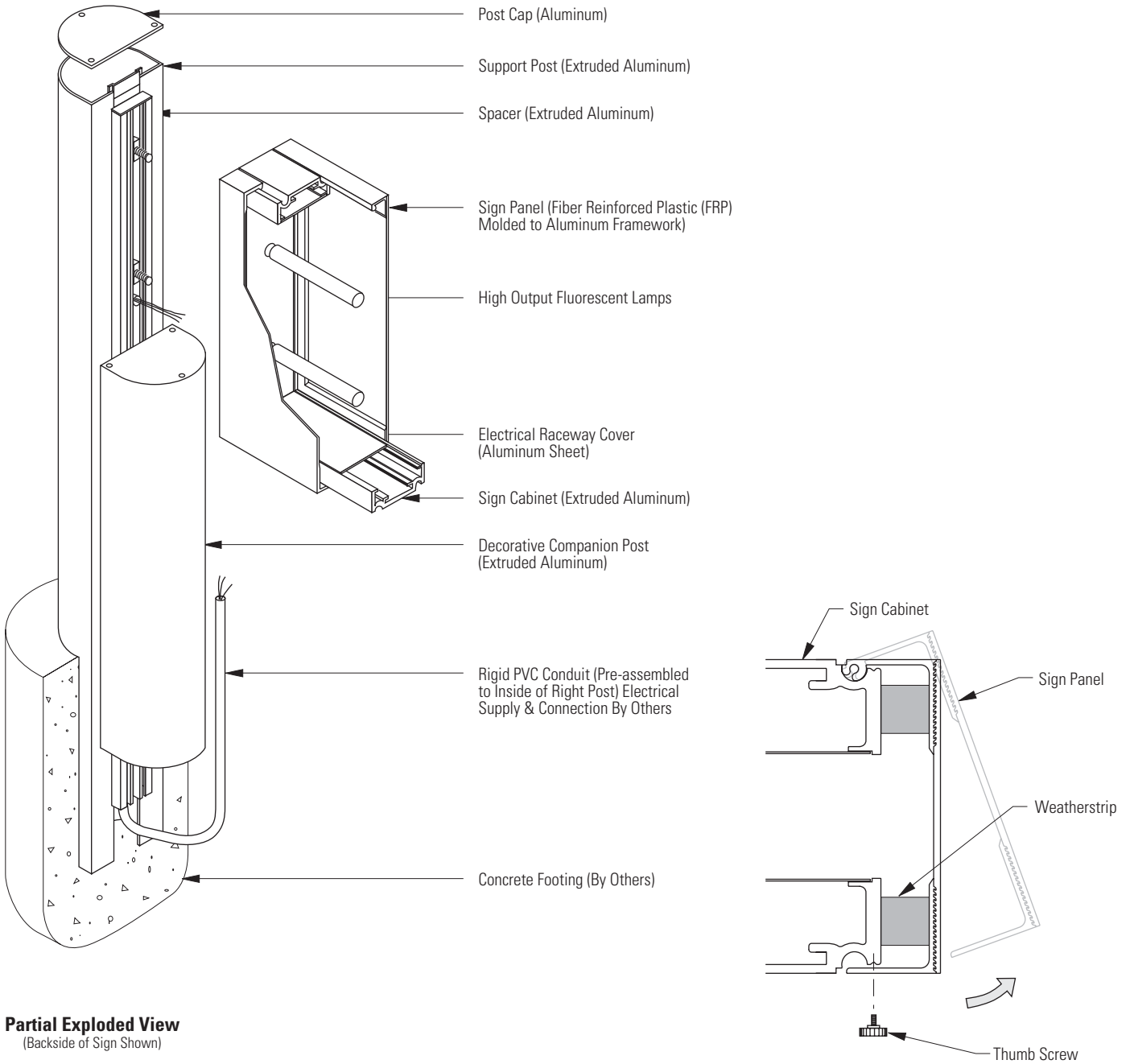
Customer Order No. : _____

Project Name : _____

APCO Order No. : _____

Sign Type/Location No.: _____

Prepared by : (Print clearly) _____ Date : _____



Partial Exploded View
(Backside of Sign Shown)

Sign Panel Operation

PolySign® Single Panel Series Illuminated Fiberglass



4210.2 Double Companion Post and Panel

Sign Panel

Size: H. _____ W. _____

Background Color: _____

NOTE: Refer to Layout Drawing(s) for graphic layout and specifications.

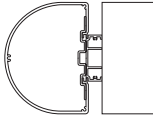
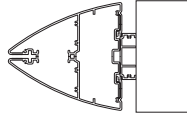
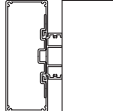
Sign Cabinet Finish

- Dark Bronze (Simulated Polyurethane)
- 315 Black (Simulated Polyurethane)
- Natural Satin (Simulated Polyurethane)
- Other: _____

Reveal Finish

- 315 Black Anodized (Standard)

Post Shape

- Radius (Adds 7 to each end of panel) 
- Contour (Adds 9-1/8 to each end of panel) 
- Rectangular (Adds 4 to each end of panel) 

Post Finish

- Dark Bronze (Simulated Polyurethane)
- 315 Black (Simulated Polyurethane)
- Natural Satin (Simulated Polyurethane)
- Other: _____

Mounting Method

- In-Ground (Standard)
- Above Grade with Welded Aluminum Plates (Not Recommended for Anodized Post Finish)

Above Grade Anchor Bolt Qty.: 4 Per Post / Total: 8

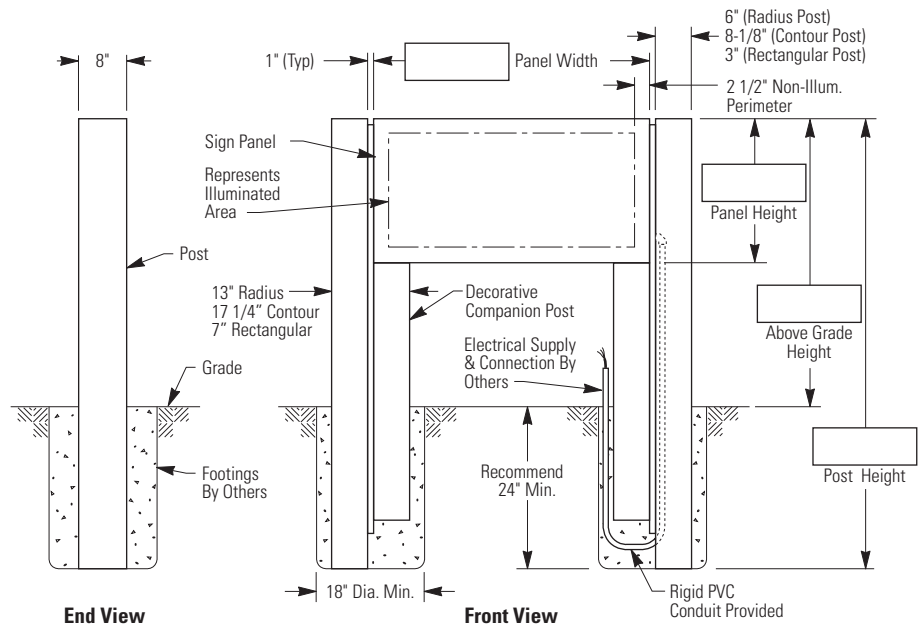
- Anchors Provided By Others
- Anchors by APCO

Electrical

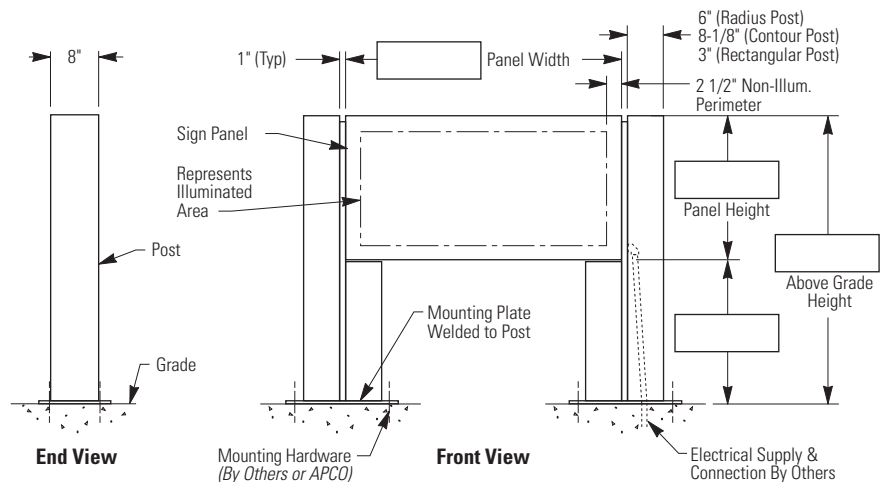
120 V, 60Hz 277 V, 60Hz Other _____
Amperage: _____

NOTES: Sign must be assembled prior to installation.
Footing design to be specified by qualified person(s) based on local codes and geographical practices such as frost lines, soil conditions, etc.
Electrical supply by others. All electrical connections to be performed by a licensed electrical contractor.
Anchor bolts to be specified by qualified persons and installed per manufacturer's recommendations.

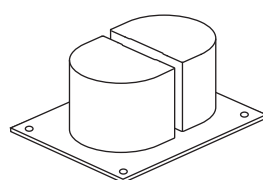
In-Ground Installation (Standard)



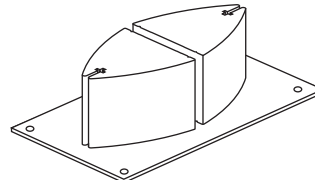
Above Grade Installation (Optional)



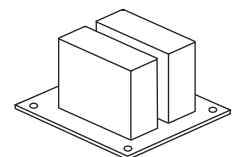
Welded Mounting Plates Mounting pattern available upon request.



Radius Companion Post



Contour Companion Post



Rectangular Companion Post