

PolySign® Single Panel Series Non-Illuminated Fiberglass



4170.4
Overhead Panel

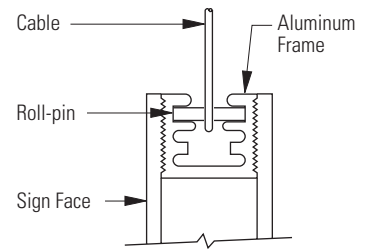
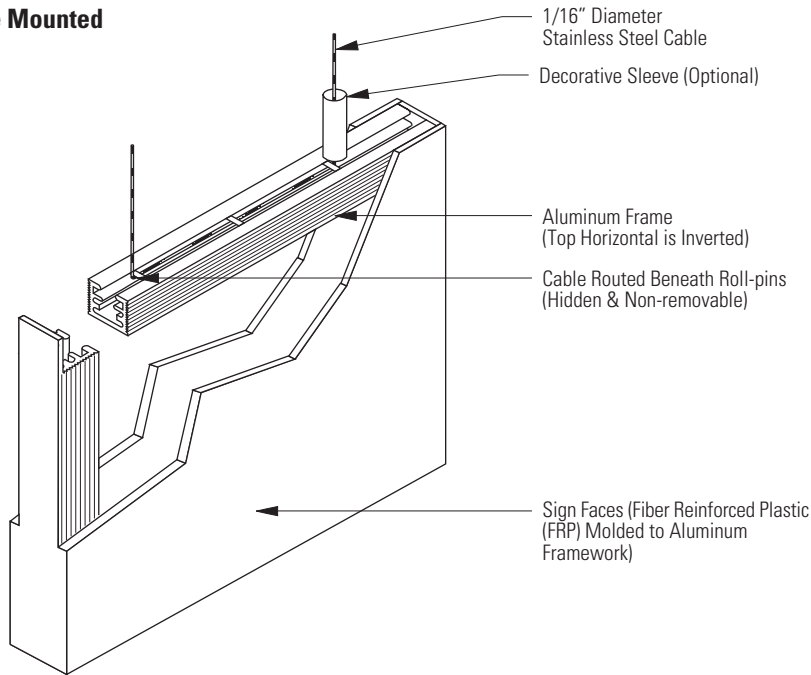
Customer : _____ Customer Order No. : _____

Project Name : _____ **APCO Order No.** : _____

Sign Type/Location No.: _____

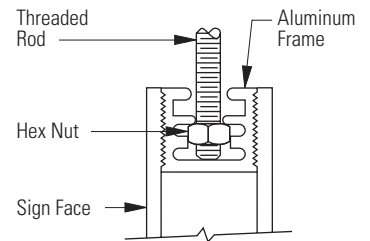
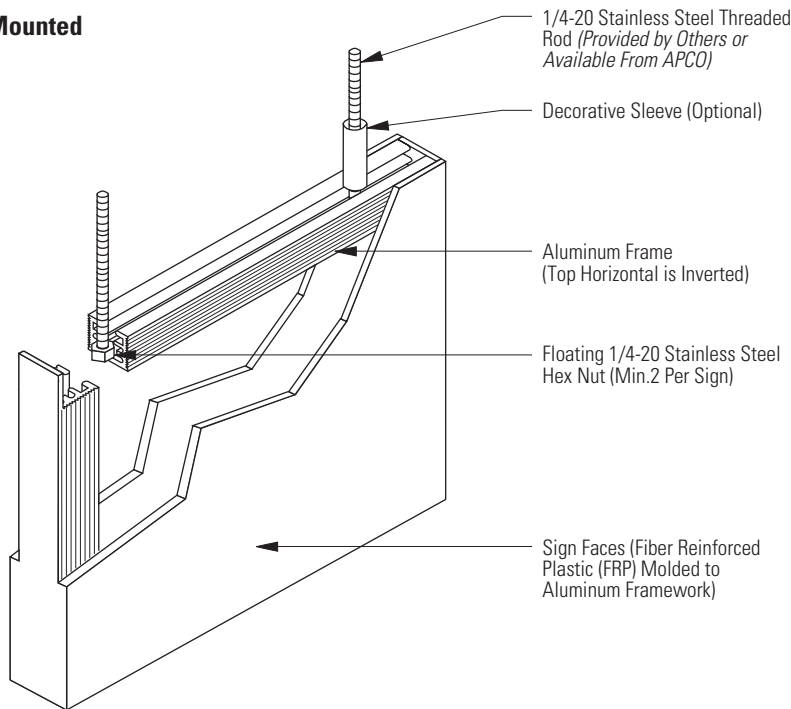
Prepared by : (Print clearly) _____ Date : _____

Cable Mounted



Partial Section View

Rod Mounted



Partial Section View

PolySign® Single Panel Series

Non-Illuminated Fiberglass



4170.4
Overhead Panel

Sign Panel

Size: H. _____ W. _____ D. 1 1/8"

Distance From Top of Sign to Ceiling: _____

Background Color: _____

NOTE: Refer to Layout Drawing(s) for graphic layout and specifications.

Mounting Method

- Cable Mounted
(Anchor Hardware By Others)
- Rod Mounted
(Anchor Hardware By Others)

Rod Qty.: _____

Decorative Sleeve (Optional)

Qty.: _____

Size: H. _____ O.D. 5/8" Dia.

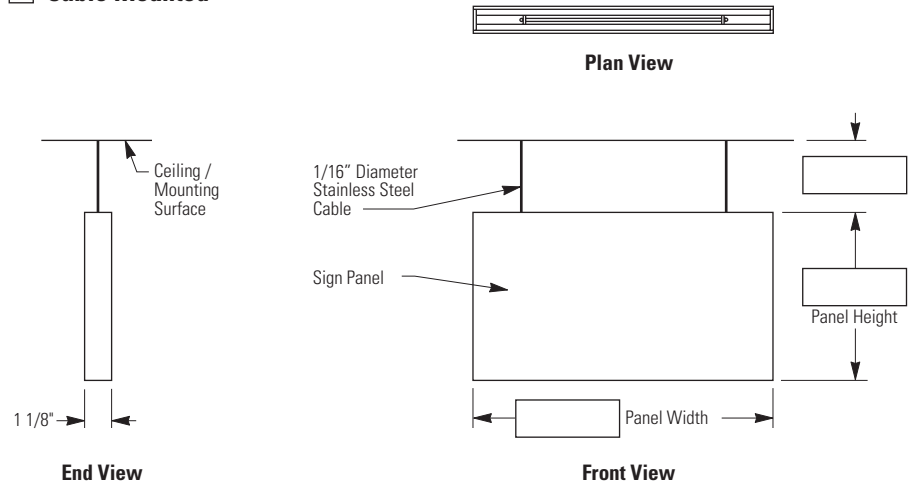
Color: _____

Special Comments

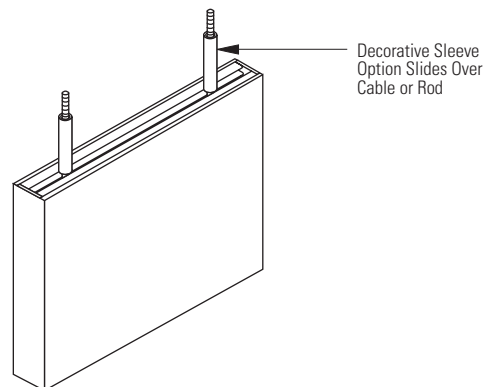
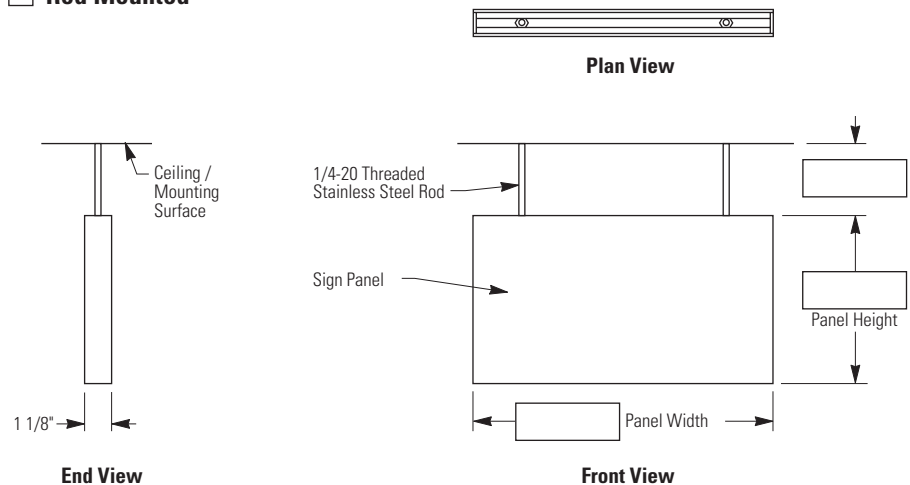
NOTES:

Attachment hardware to overhead surface is specified by qualified person(s) based on field conditions. Anchor bolts are provided by others and installed per manufacturer's recommendations.

Cable Mounted



Rod Mounted



Decorative Sleeve Option