

# PolySign® Single Panel Series Non-Illuminated Fiberglass



**4150.2RP**  
Base Mount Removable Panel  
with End Shapes

Customer : \_\_\_\_\_

Customer Order No. : \_\_\_\_\_

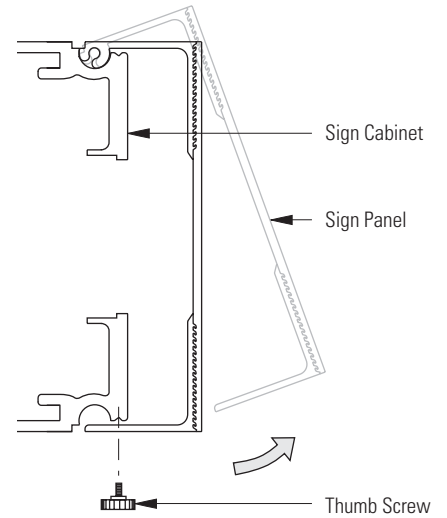
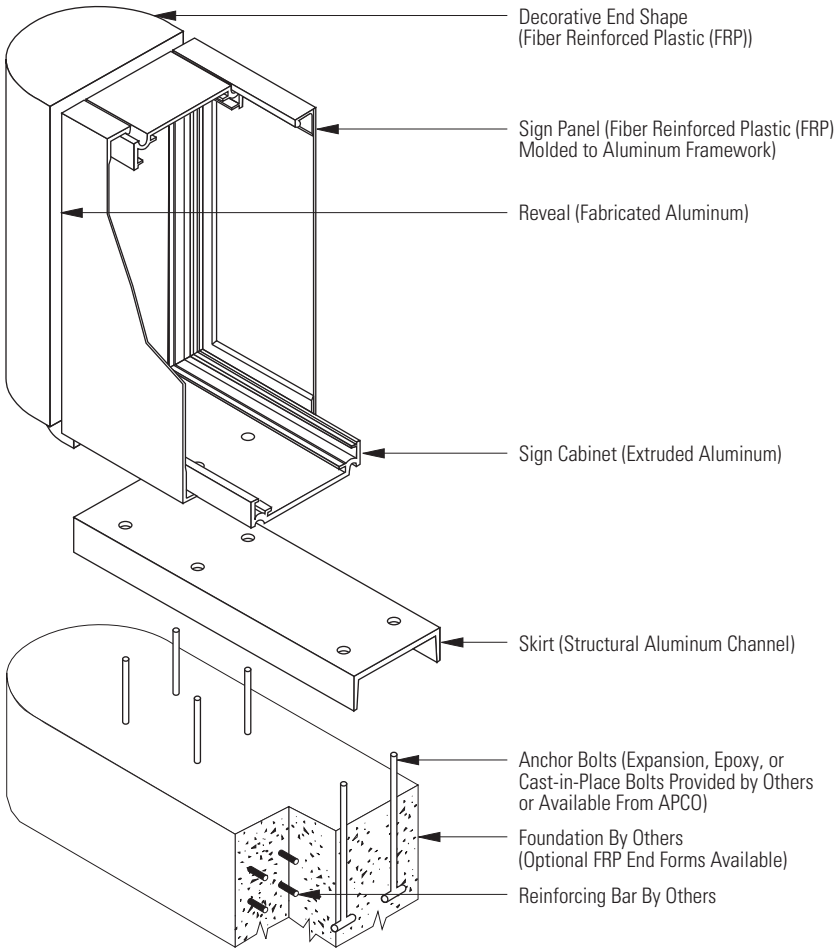
Project Name : \_\_\_\_\_

**APCO Order No.** : \_\_\_\_\_

Sign Type/Location No.: \_\_\_\_\_

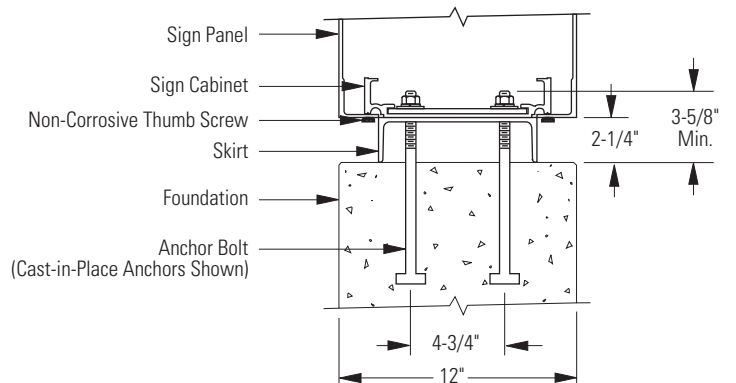
Prepared by : (Print clearly) \_\_\_\_\_

Date : \_\_\_\_\_



**Sign Panel Operation**

### Partial Exploded View



**Partial Section View**

# PolySign® Single Panel Series Non-Illuminated Fiberglass



## 4150.2RP Base Mount Removable Panel with End Shapes

### Sign Panel

Size: H. \_\_\_\_\_ W. \_\_\_\_\_  
(74 1/4" Max.)

Background Color: \_\_\_\_\_

NOTE: Refer to Layout Drawing(s) for graphic layout and specifications.

### Sign Cabinet Finish

- To Match Sign Panel Background
- Other: \_\_\_\_\_

### Decorative FRP End Shape

- Radius  
(Adds 8" to each end of panel)
- Contour  
(Adds 12" to each end of panel)
- Optional Reusable Fiberglass Molds for Forming Foundation End Shapes (Qty.2)



### End Shape Finish

- To Match Sign Panel Background
- Other: \_\_\_\_\_

### Skirt Finish

- To Match Sign Panel Background
- Other: \_\_\_\_\_

### Reveal Finish

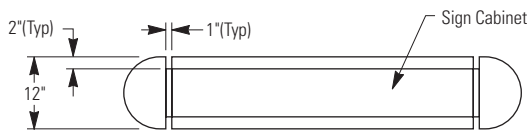
- To Match Sign Panel Background
- Other: \_\_\_\_\_

### Anchor Bolts

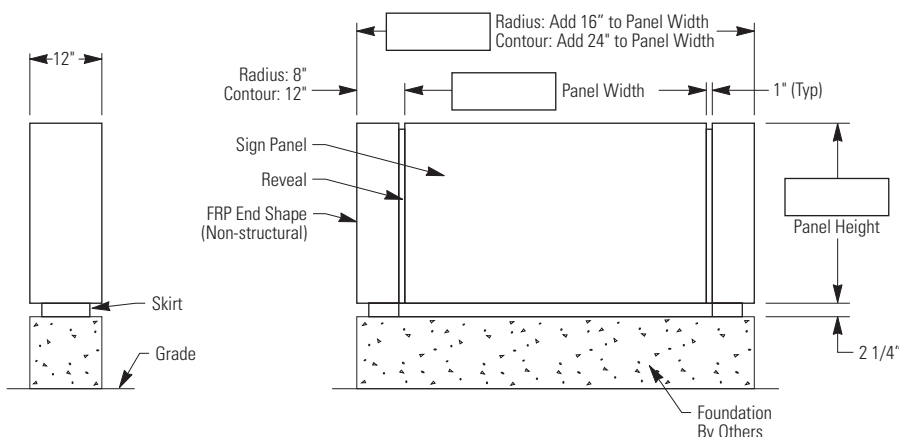
- Qty.: \_\_\_\_\_
- Provided By Others
  - Provided By APCO

### Special Comments

**NOTES:**  
Foundation design to be specified by qualified person(s) based on local geographical practices such as frost lines, soil conditions, etc. APCO accepts no responsibility for foundation design or sign installation unless performed by APCO.  
Anchor bolts to be specified by qualified person(s) and installed per manufacturer's recommendations.  
Mounting patterns are available upon request.

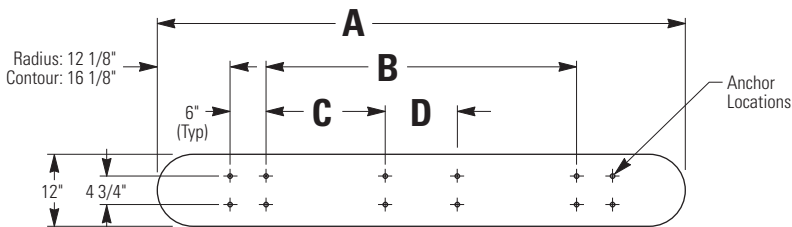


Plan View

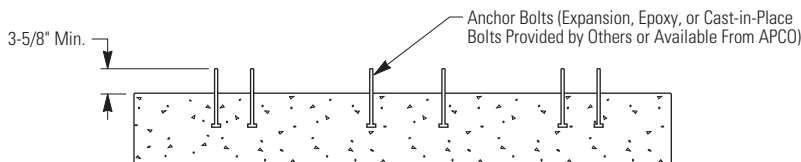


End View

Front View



Foundation Plan



Foundation Cross Section

Panel Width	24"	36"	48"	60"	72"	84"	96"	108"	120"	144"
<b>A</b> Radius	40"	52"	64"	76"	88"	100"	112"	124"	136"	160"
<b>A</b> Contour	48"	60"	72"	84"	96"	108"	120"	132"	142"	168"
<b>B</b>	3-3/4"	15-3/4"	27-3/4"	39-3/4"	51-3/4"	63-3/4"	75-3/4"	87-3/4"	99-3/4"	123-3/4"
<b>C</b>	~	~	~	~	25-7/8"	31-7/8"	37-7/8"	29-1/4"	33-1/4"	41-1/4"
<b>D</b>	~	~	~	~	~	~	~	29-1/4"	33-1/4"	41-1/4"
Anchor Bolt Qty.	8	8	8	8	10	10	10	12	12	12