

PolySign® Single Panel Series Non-Illuminated Fiberglass



4150.2M
Base Mount Monolith
with End Shapes (12")

Customer : _____

Customer Order No. : _____

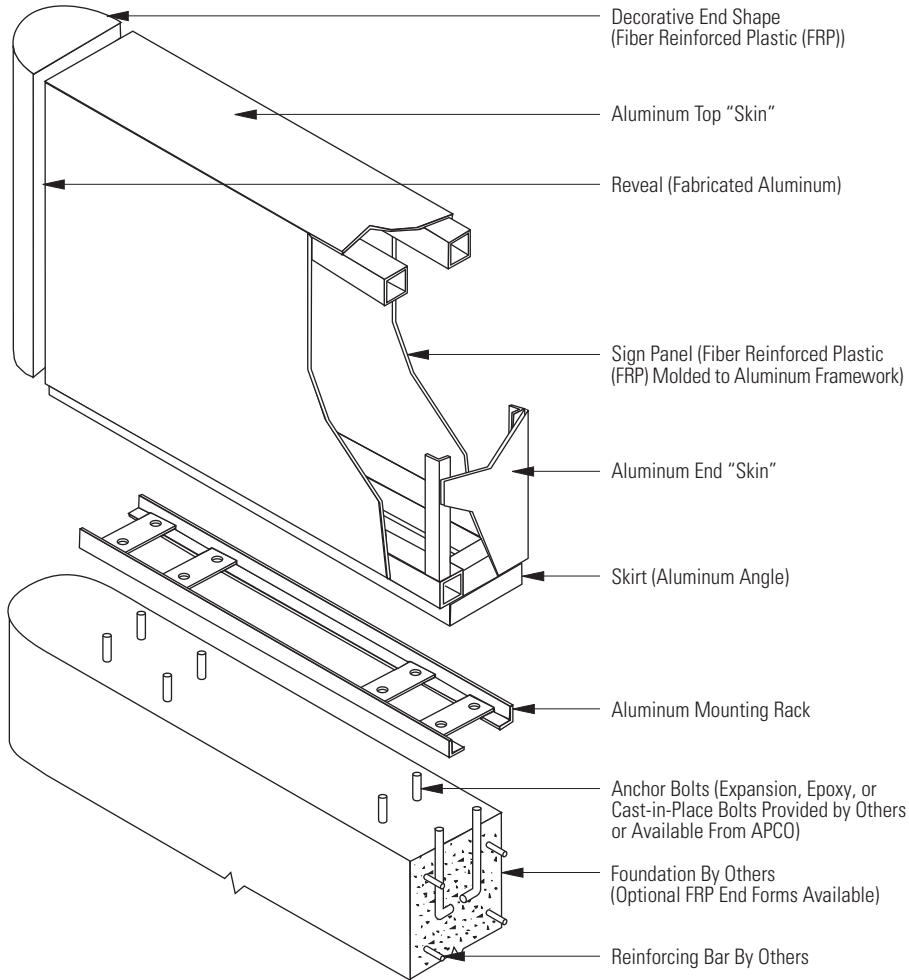
Project Name : _____

APCO Order No. : _____

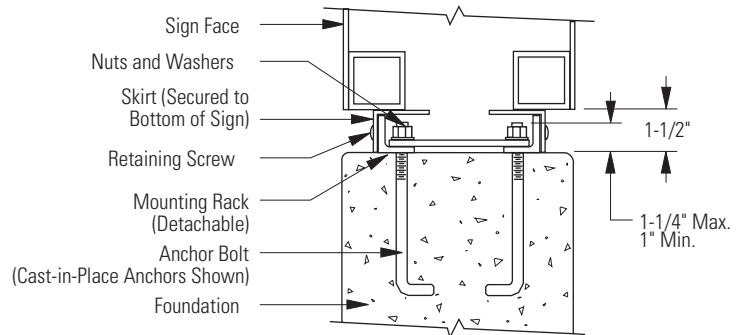
Sign Type/Location No.: _____

Prepared by : (Print clearly) _____

Date : _____



Partial Exploded View



Partial Section View

PolySign® Single Panel Series Non-Illuminated Fiberglass



4150.2M
Base Mount Monolith
with End Shapes (12")

Sign Panel

Size: H. _____ W. _____ D. 12"
(74 1/4" Max.)

Background Color: _____

NOTE: Refer to Layout Drawing(s) for graphic layout and specifications.

Reveal Finish

- To Match Sign Panel Background
- Other: _____

Decorative FRP End Shape

- Radius
(Adds 8" to each end of panel)
- Contour
(Adds 12" to each end of panel)
- Optional Reusable Fiberglass Molds for Forming Foundation End Shapes (Qty.2)



End Shape Finish

- To Match Sign Panel Background
- Other: _____

Skirt Finish

- To Match Sign Panel Background
- Other: _____

Reveal Finish

- To Match Sign Panel Background
- Other: _____

Anchor Bolts

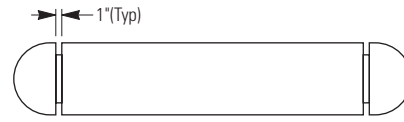
- Qty.: _____
- APCO to Provide
 - Provided By Others

Special Comments

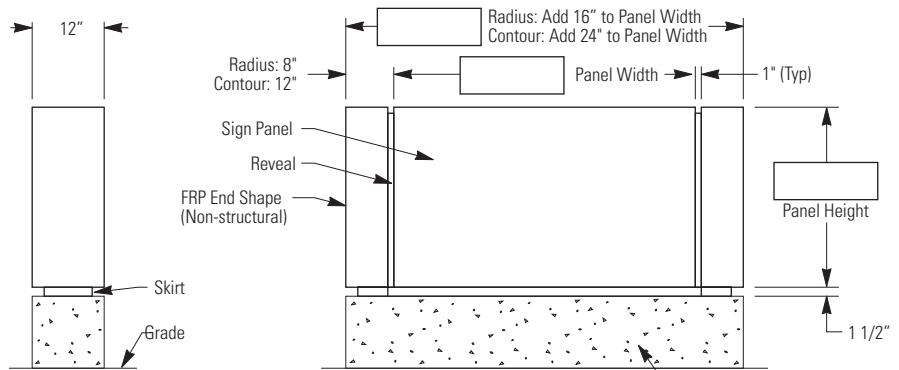
NOTES:

Foundation design to be specified by qualified person(s) based on local geographical practices such as frost lines, soil conditions, etc. APCO accepts no responsibility for foundation design or sign installation unless performed by APCO.

Anchor bolts to be specified by qualified person(s) and installed per manufacturer's recommendations.
Mounting patterns are available upon request.

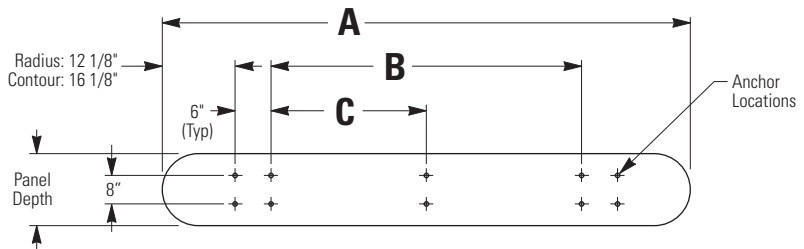


Plan View

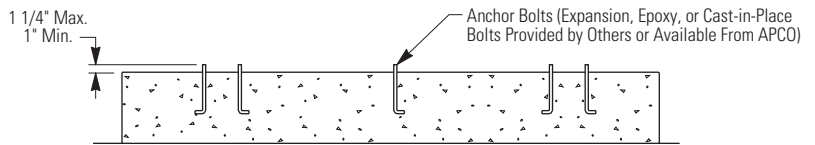


End View

Front View



Foundation Plan



Foundation Cross Section

Panel Width	36"	48"	60"	72"	84"	96"
A Radius	52"	64"	76"	88"	100"	112"
A Contour	60"	72"	84"	96"	108"	120"
B	15-3/4"	27-3/4"	39-3/4"	51-3/4"	63-3/4"	75-3/4"
C	~	~	~	25-7/8"	31-7/8"	37-7/8"
Anchor Bolt Qty.	8	8	8	10	10	10