

PolySign® Single Panel Series Non-Illuminated Fiberglass



4150.1RP
Base Mount Removable Panel
without End Shapes

Customer : _____

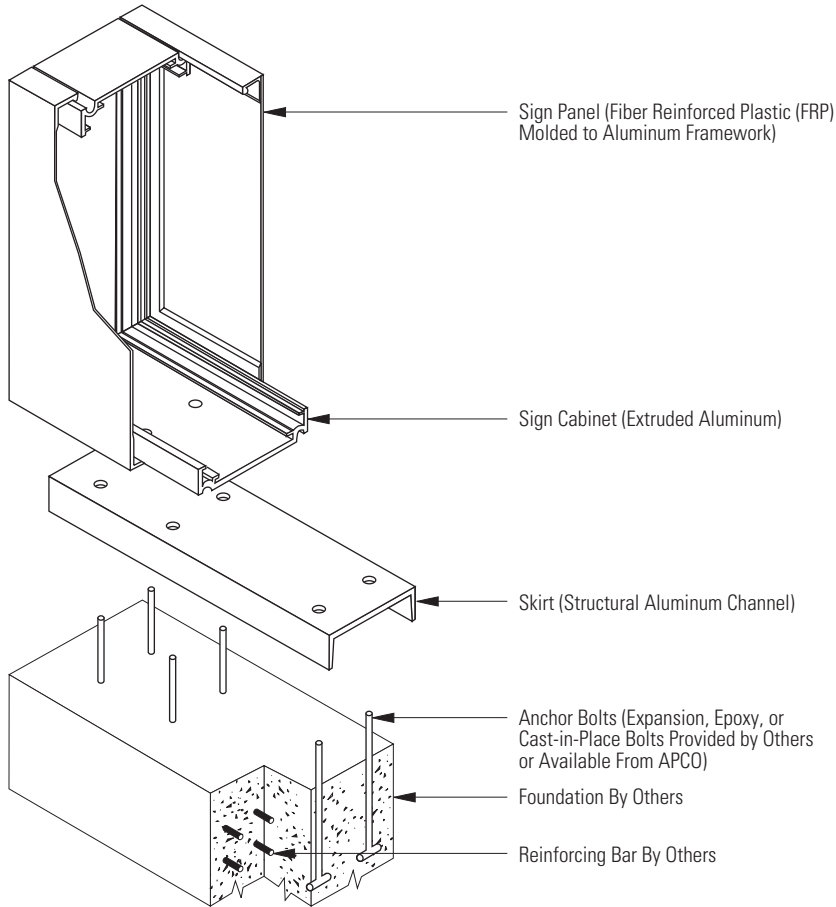
Customer Order No. : _____

Project Name : _____

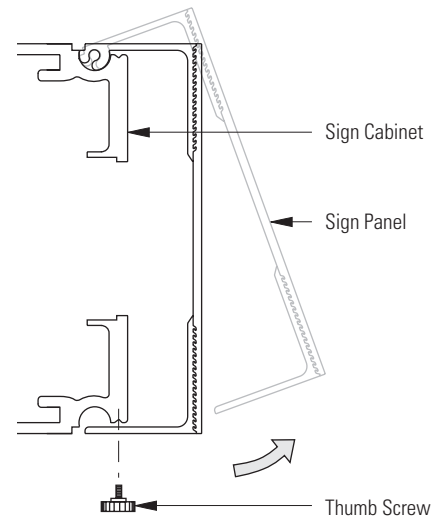
APCO Order No. : _____

Sign Type/Location No.: _____

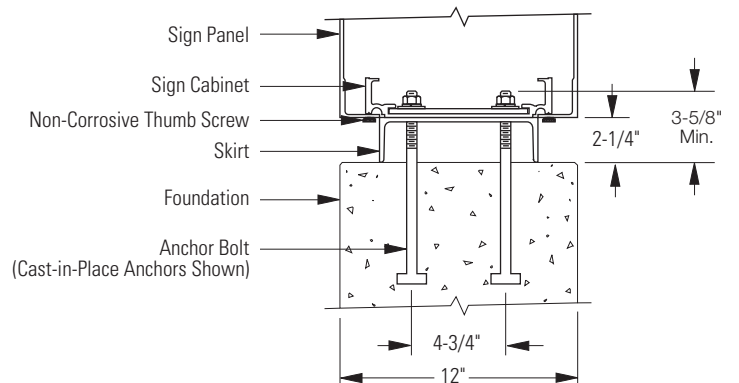
Prepared by : (Print clearly) _____ Date : _____



Partial Exploded View



Sign Panel Operation



Partial Section View

PolySign® Single Panel Series

Non-Illuminated Fiberglass



4150.1RP

Base Mount Removable Panel
without End Shapes

Sign Panel

Size: H. _____ W. _____

Background Color: _____

NOTE: Refer to Layout Drawing(s) for graphic layout and specifications.

Sign Cabinet Finish

- To Match Sign Panel Background
- Other: _____

Skirt Finish

- To Match Sign Panel Background
- Other: _____

Anchor Bolts

- Qty.: _____
- APCO to Provide
 - Provided By Others

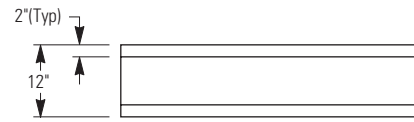
Special Comments

NOTES:

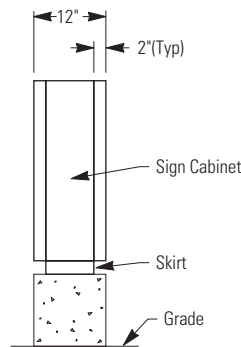
Foundation design to be specified by qualified person(s) based on local geographical practices such as frost lines, soil conditions, etc. APCO accepts no responsibility for foundation design or sign installation unless performed by APCO.

Anchor bolts to be specified by qualified person(s) and installed per manufacturer's recommendations.

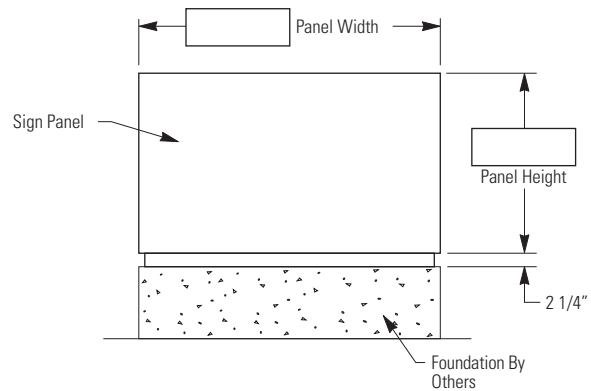
Mounting patterns are available upon request.



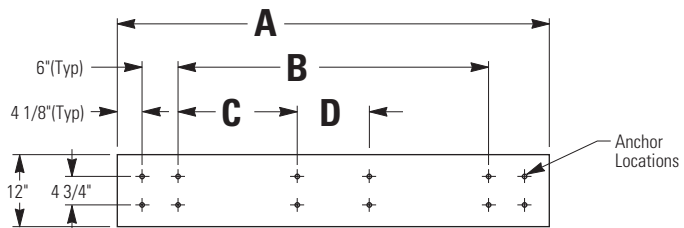
Plan View



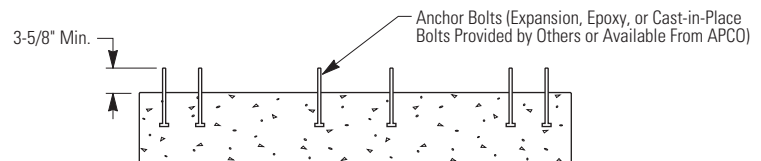
End View



Front View



Foundation Plan



Foundation Cross Section

Panel Width	24"	36"	48"	60"	72"	84"	96"	108"	120"	144"
A	24"	36"	48"	60"	72"	84"	96"	108"	120"	144"
B	3-3/4"	15-3/4"	27-3/4"	39-3/4"	51-3/4"	63-3/4"	75-3/4"	87-3/4"	99-3/4"	123-3/4"
C	~	~	~	~	25-7/8"	31-7/8"	37-7/8"	29-1/4"	33-1/4"	41-1/4"
D	~	~	~	~	~	~	~	29-1/4"	33-1/4"	41-1/4"
Anchor Bolt Qty.	8	8	8	8	10	10	10	12	12	12