

# PolySign® Single Panel Series Non-Illuminated Fiberglass



**4150.1M**  
Base Mount Monolith  
without End Shapes (12")

Customer : \_\_\_\_\_

Customer Order No. : \_\_\_\_\_

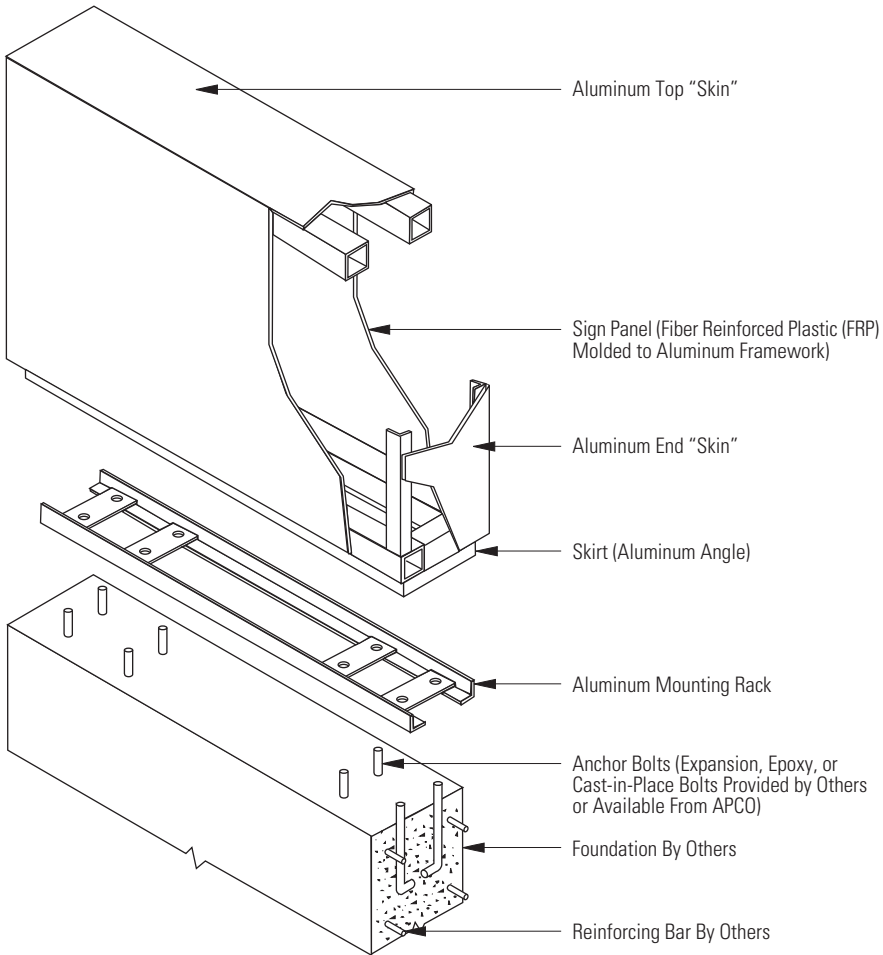
Project Name : \_\_\_\_\_

**APCO Order No.** : \_\_\_\_\_

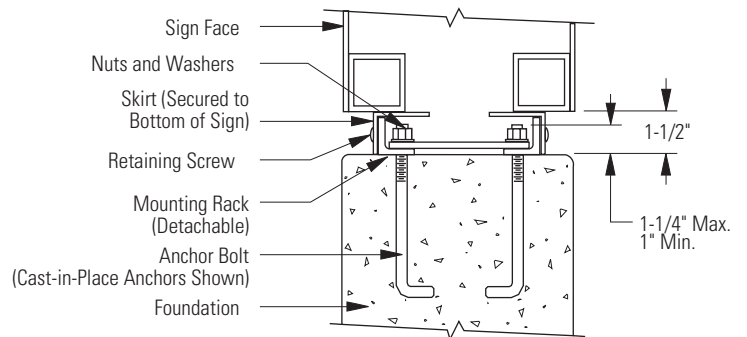
Sign Type/Location No.: \_\_\_\_\_

Prepared by : (Print clearly) \_\_\_\_\_

Date : \_\_\_\_\_



### Partial Exploded View



### Partial Section View

# PolySign® Single Panel Series Non-Illuminated Fiberglass



**4150.1M**  
Base Mount Monolith  
without End Shapes (12")

## Sign Panel

Size: H. \_\_\_\_\_ W. \_\_\_\_\_ D. 12"

Background Color: \_\_\_\_\_

NOTE: Refer to Layout Drawing(s) for graphic layout and specifications.

## Skirt Finish

- To Match Sign Panel Background
- Other: \_\_\_\_\_

## Anchor Bolts

- Qty.: \_\_\_\_\_
- APCO to Provide
  - Provided By Others

## Special Comments

---



---



---



---

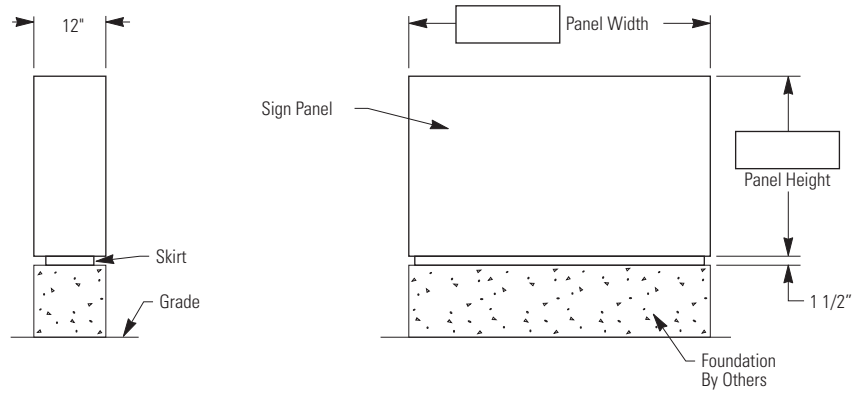
### NOTES:

Foundation design to be specified by qualified person(s) based on local geographical practices such as frost lines, soil conditions, etc. APCO accepts no responsibility for foundation design or sign installation unless performed by APCO.

Anchor bolts to be specified by qualified person(s) and installed per manufacturer's recommendations.  
Mounting patterns are available upon request.

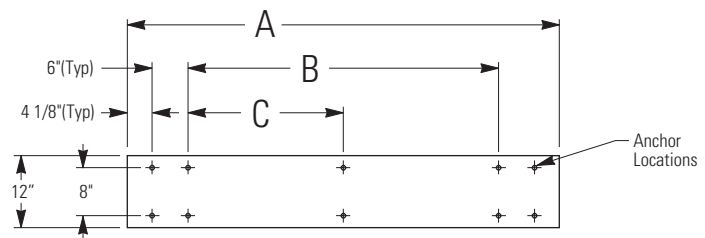


Plan View

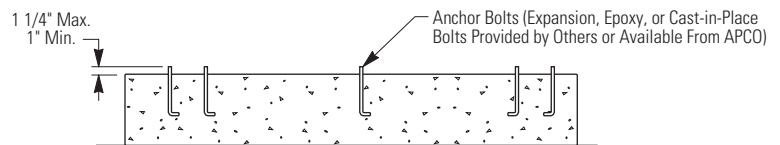


End View

Front View



Foundation Plan



Foundation Cross Section

Panel Width	36"	48"	60"	72"	84"	96"
<b>A</b>	36"	48"	60"	72"	84"	96"
<b>B</b>	15-3/4"	27-3/4"	39-3/4"	51-3/4"	63-3/4"	75-3/4"
<b>C</b>	~	~	~	25-7/8"	31-7/8"	37-7/8"
Anchor Bolt Qty.	8	8	8	10	10	10