

PolySign® Single Panel Series Non-Illuminated Fiberglass



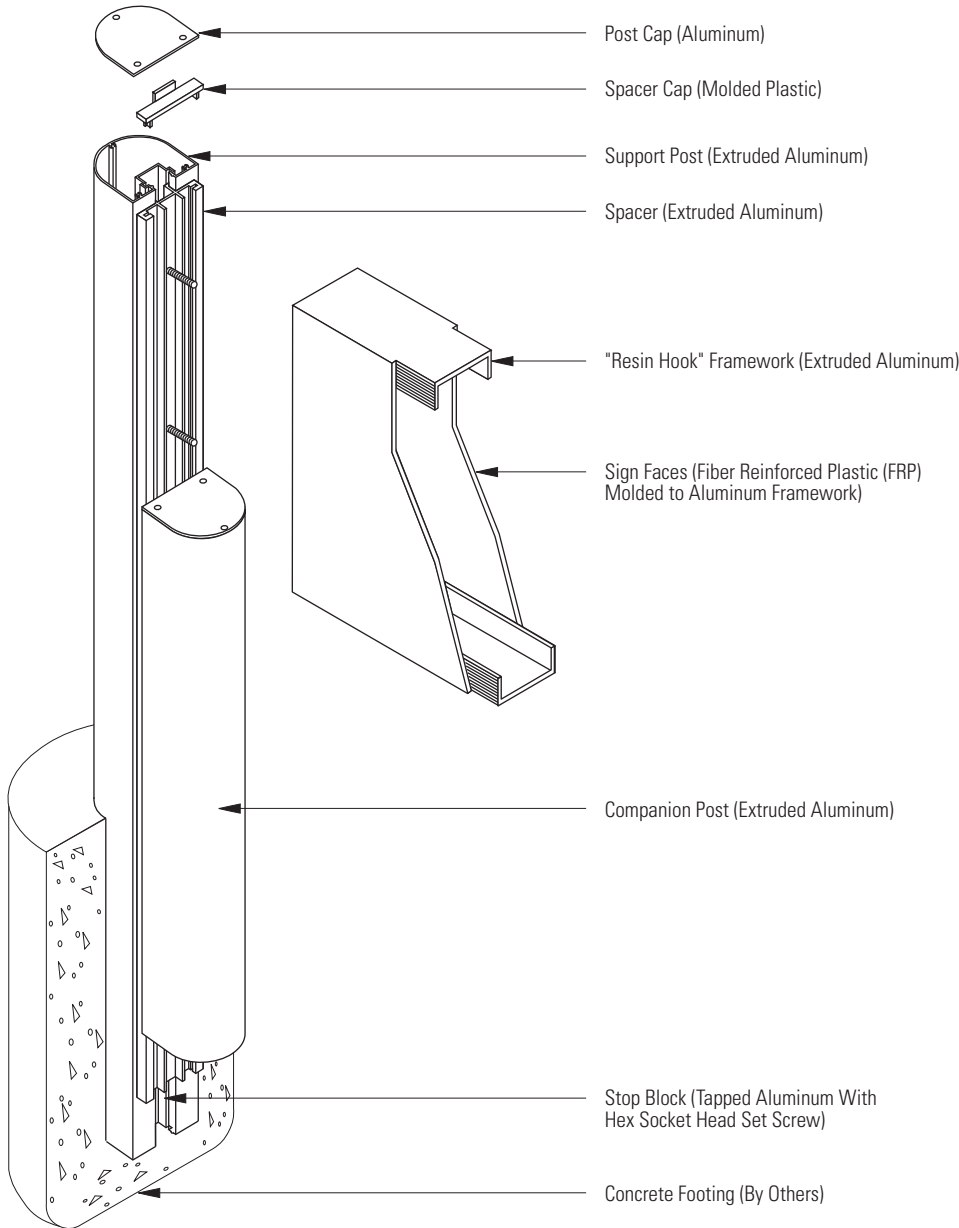
4110.2
4" Double Companion
Post and Panel

Customer : _____ Customer Order No. : _____

Project Name : _____ **APCO Order No.** : _____

Sign Type/Location No.: _____

Prepared by : (Print clearly) _____ Date : _____



Partial Exploded View

PolySign® Single Panel Series Non-Illuminated Fiberglass



4110.2
4" Double Companion
Post and Panel

Sign Panel

Size: H. _____ W. _____ D. 4"

Background Color: _____

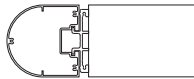
NOTE: Refer to Layout Drawing(s) for graphic layout and specifications.

Reveal Finish

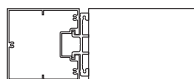
315 Black Anodized (Standard)

Post Shape

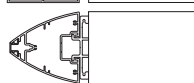
Radius 100mm



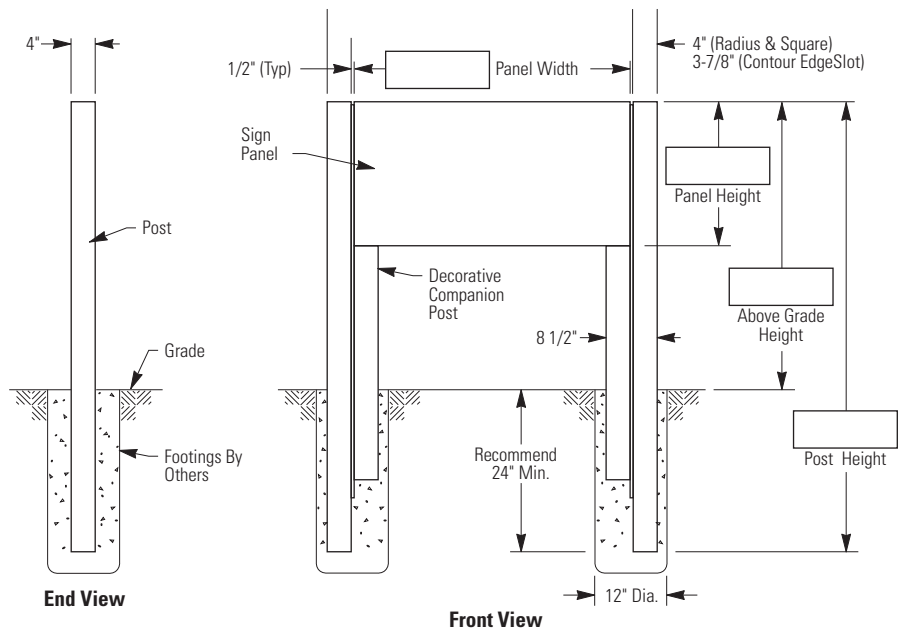
Square 100mm



Contour 100mm
With EdgeSlot



In-Ground Installation (Standard)



Post Finish

313 Dark Bronze Anodized

315 Black Anodized

Natural Satin Anodized

Other: _____

Mounting Method

In-Ground (Standard)

Above Grade with Welded Aluminum Plates
(Anodized Finish Not Recommended)

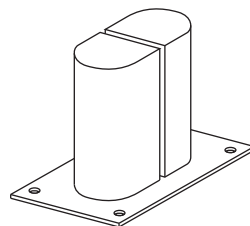
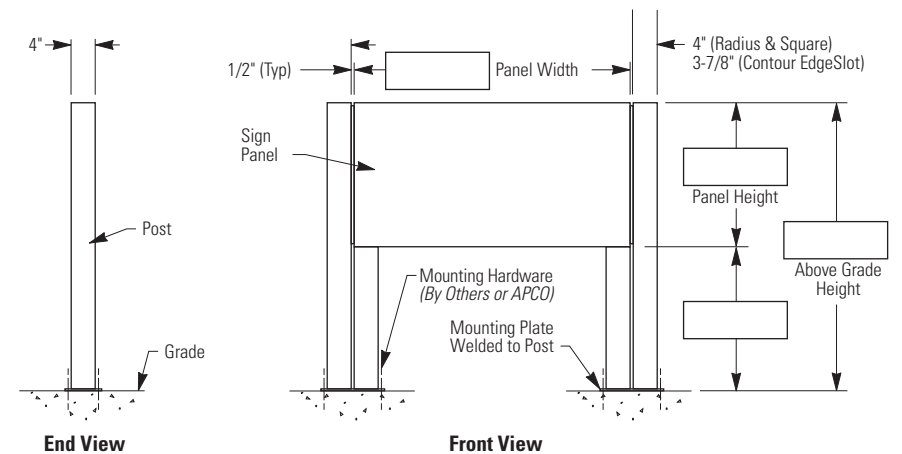
Above Grade Anchor Bolt Qty.: _____ 4 Per Post / Total: 8

Anchors Provided By Others

Anchors by APCO

Special Comments

Above Grade Installation (Optional)



Welded Mounting Plate
(Radius Companion Post Shown)
Mounting pattern available upon request.

NOTES:

Sign must be assembled prior to installation.
Footing design to be specified by qualified person(s) based on local codes and geographical practices such as frost lines, soil conditions, etc.

Anchor bolts to be specified by qualified person(s) and installed per manufacturer's recommendations.