

PolySign® Single Panel Series Non-Illuminated Fiberglass



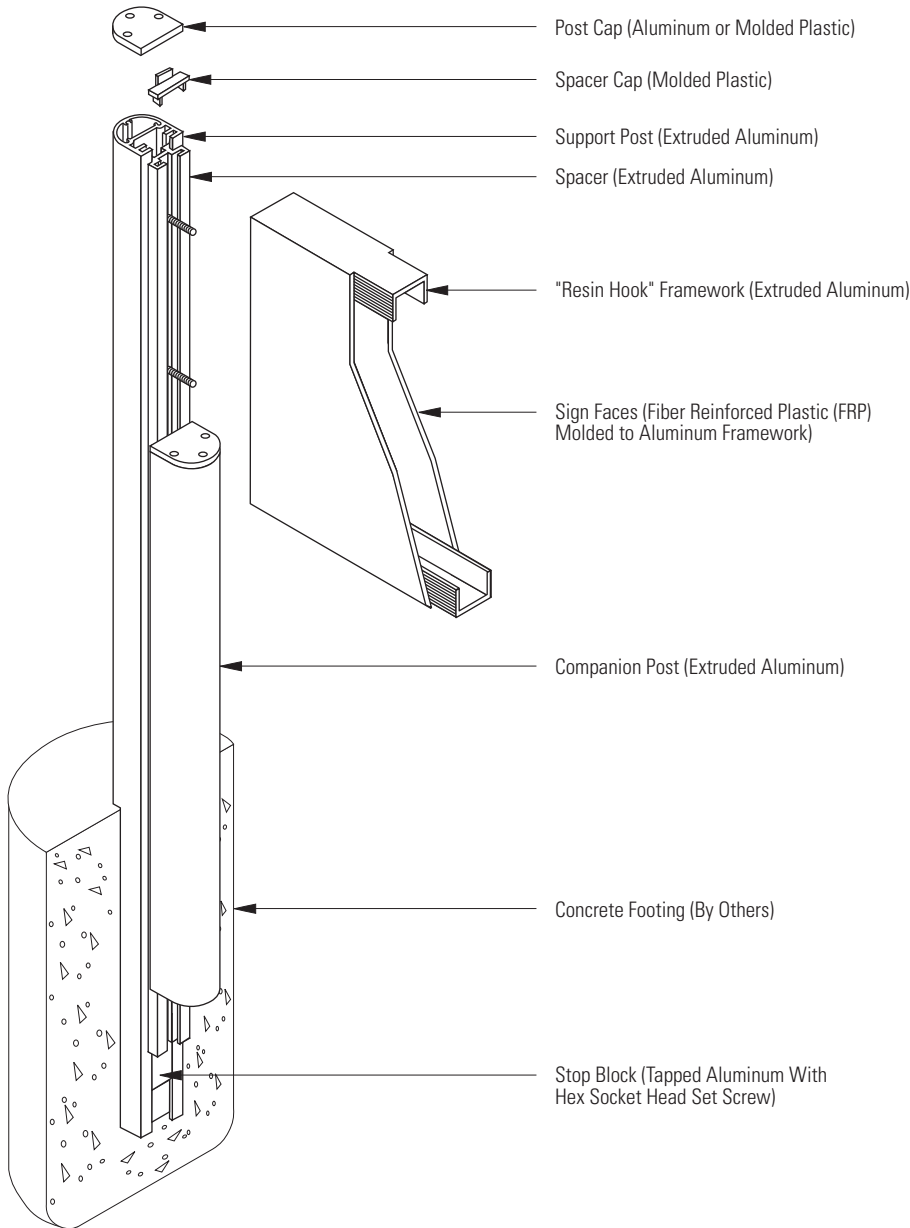
4110.2
2" Double Companion
Post and Panel

Customer : _____ Customer Order No. : _____

Project Name : _____ **APCO Order No.** : _____

Sign Type/Location No.: _____

Prepared by : (Print clearly) _____ Date : _____



Partial Exploded View

PolySign® Single Panel Series Non-Illuminated Fiberglass



4110.2
2" Double Companion
Post and Panel

Sign Panel

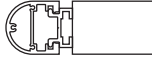
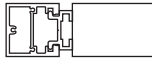
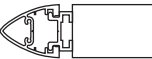
Size: H. _____ W. _____ D. 2"
Background Color: _____

NOTE: Refer to Layout Drawing(s) for graphic layout and specifications.

Reveal Finish

315 Black Anodized (Standard)

Post Shape

- Radius 50mm 
- Square 50mm 
- Contour 50mm 

Post Finish

- 313 Dark Bronze Anodized
- 315 Black Anodized
- Natural Satin Anodized
- Other: _____

Mounting Method

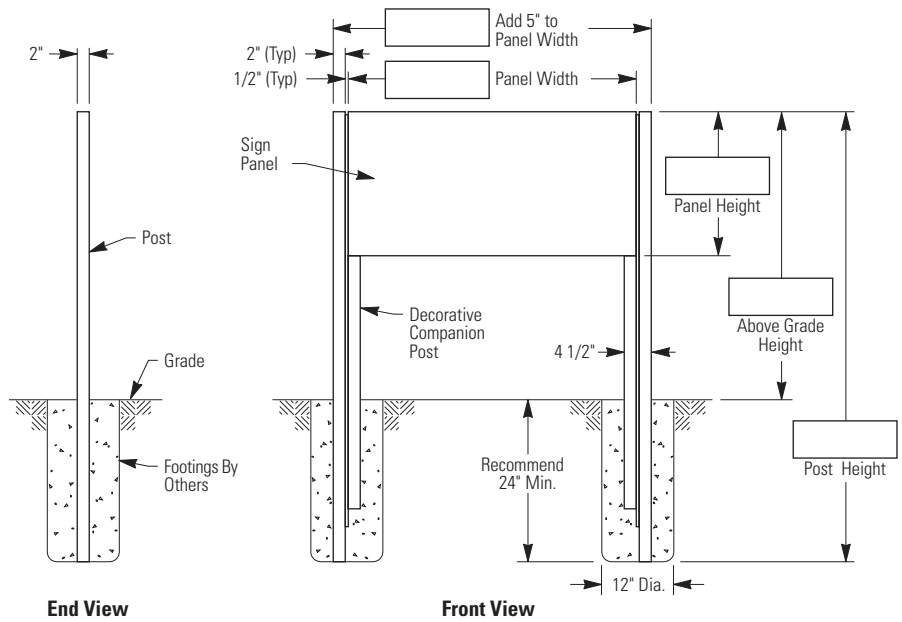
- In-Ground (Standard)
- Above Grade with Welded Aluminum Plates (Anodized Finish Not Recommended)

Above Grade Anchor Bolt Qty.: 4 Per Post / Total: 8

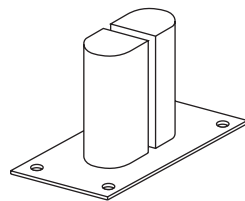
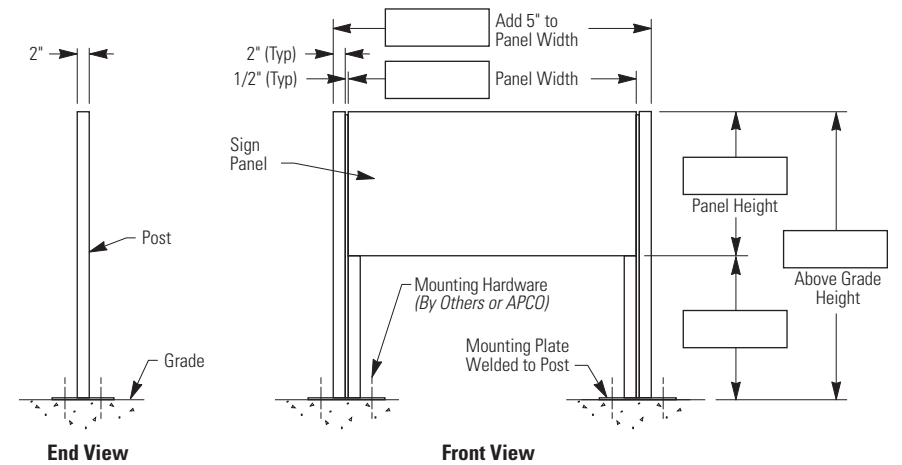
- Anchors Provided By Others
- Anchors by APCO

Special Comments

In-Ground Installation (Standard)



Above Grade Installation (Optional)



Welded Mounting Plate
(Radius Companion Post Shown)
Mounting pattern available upon request.

NOTES:

Sign must be assembled prior to installation.
Footing design to be specified by qualified person(s) based on local codes and geographical practices such as frost lines, soil conditions, etc.
Anchor bolts to be specified by qualified person(s) and installed per manufacturer's recommendations.