

# PolySign® Single Panel Series Non-Illuminated Fiberglass



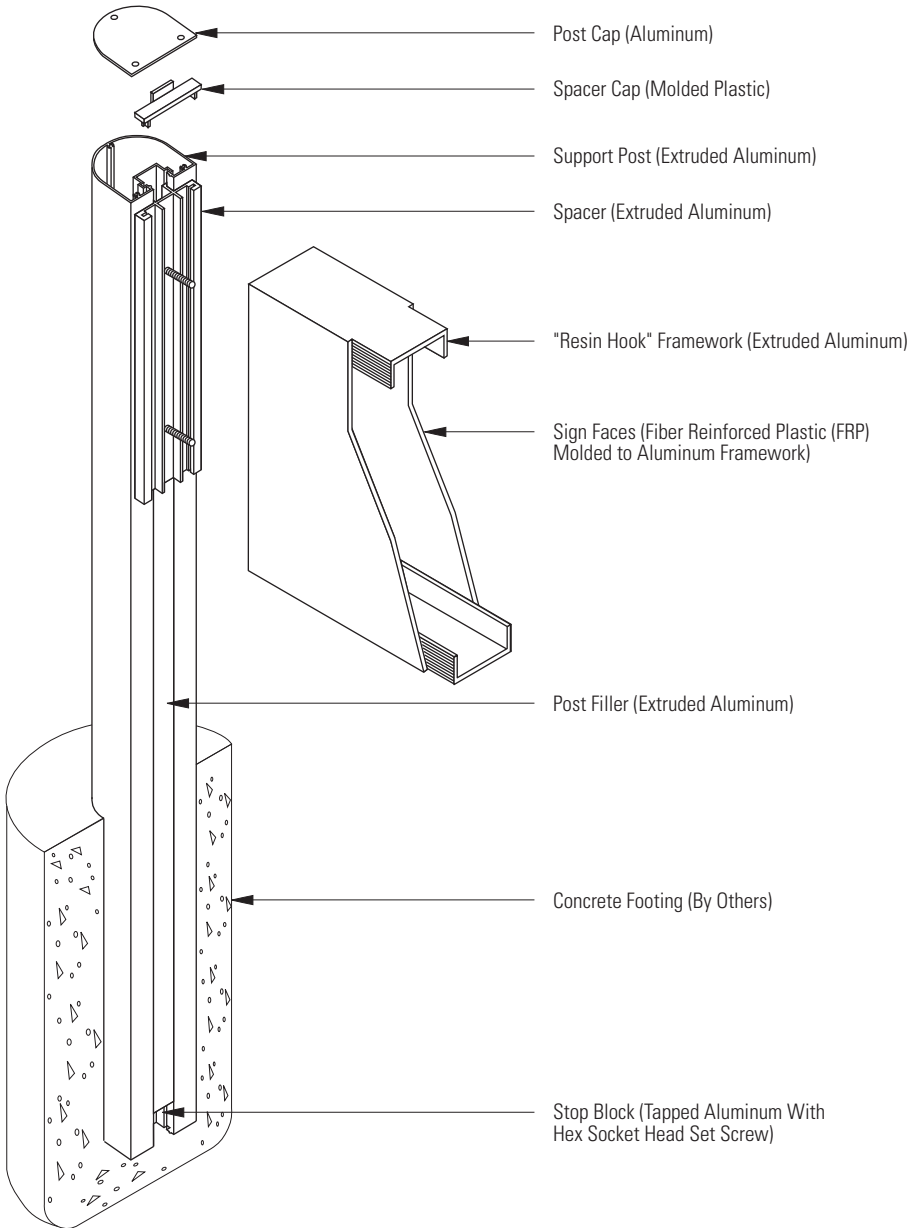
**4110.1**  
4" Double Post and Panel

Customer : \_\_\_\_\_ Customer Order No. : \_\_\_\_\_

Project Name : \_\_\_\_\_ **APCO Order No.** : \_\_\_\_\_

Sign Type/Location No.: \_\_\_\_\_

Prepared by : (Print clearly) \_\_\_\_\_ Date : \_\_\_\_\_



**Partial Exploded View**

# PolySign® Single Panel Series Non-Illuminated Fiberglass



**4110.1**  
4" Double Post and Panel

## Sign Panel

Size: H. \_\_\_\_\_ W. \_\_\_\_\_ D. 4"

Background Color: \_\_\_\_\_

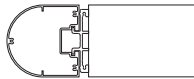
NOTE: Refer to Layout Drawing(s) for graphic layout and specifications.

## Reveal Finish

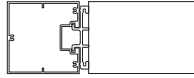
315 Black Anodized (Standard)

## Post Shape

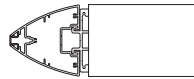
Radius 100mm



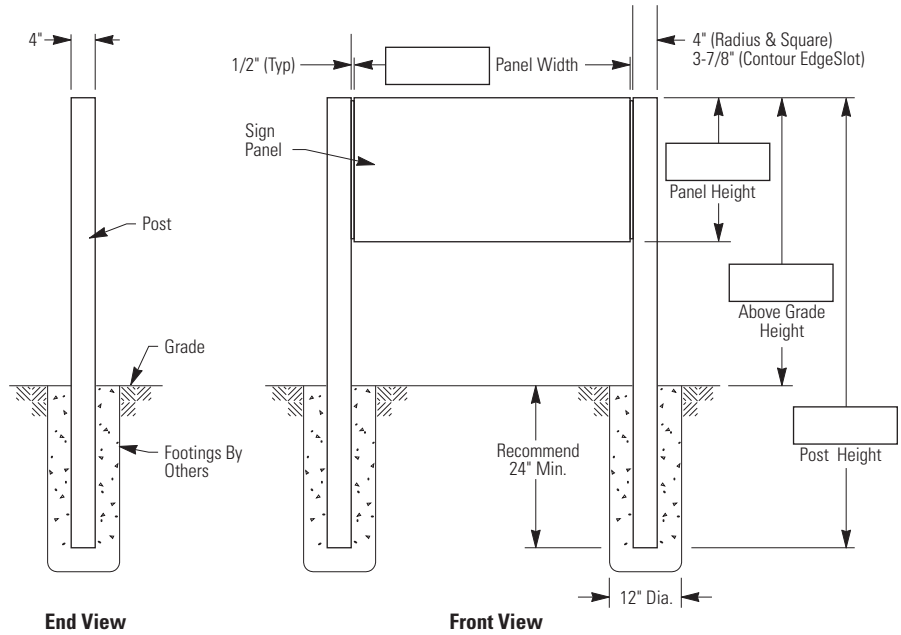
Square 100mm



Contour 100mm With EdgeSlot



## In-Ground Installation (Standard)



## Post Finish

313 Dark Bronze Anodized

315 Black Anodized

Natural Satin Anodized

Other: \_\_\_\_\_

## Mounting Method

In-Ground (Standard)

Above Grade with Steel Mounting Feet (Painted Finish Only)

Above Grade with Welded Aluminum Plates (Anodized Finish Not Recommended)

Above Grade Anchor Bolt Qty.: 4 Per Post / Total: 8

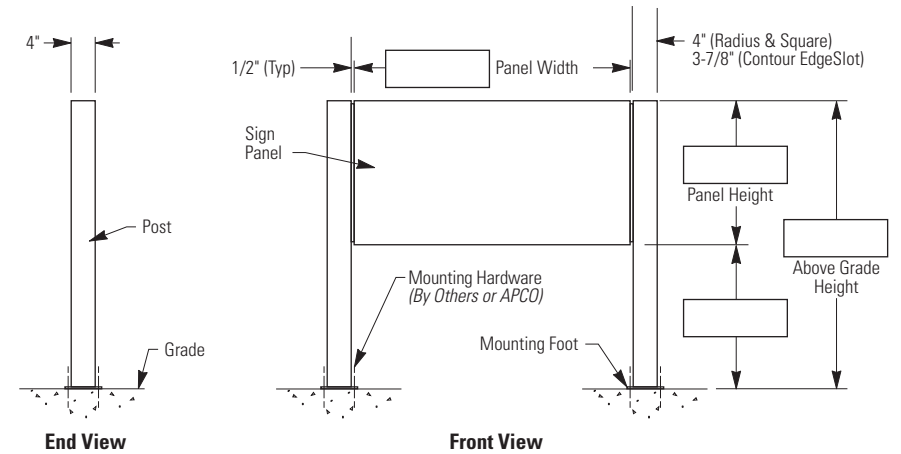
Anchors Provided By Others

Anchors by APCO

## Special Comments

\_\_\_\_\_  
\_\_\_\_\_  
\_\_\_\_\_

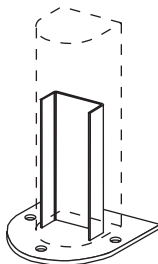
## Above Grade Installation (Optional)



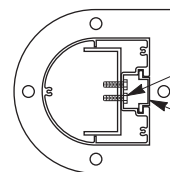
## NOTES:

Sign must be assembled prior to installation.  
Footing design to be specified by qualified person(s) based on local codes and geographical practices such as frost lines, soil conditions, etc.

Anchor bolts to be specified by qualified person(s) and installed per manufacturer's recommendations.



**Steel Mounting Foot**  
(Radius 100mm Post Shown)  
Mounting pattern available upon request.



**Steel Mounting Foot Attachment**  
(Radius 100mm Post Shown)