

PolySign® Single Panel Series Non-Illuminated Fiberglass



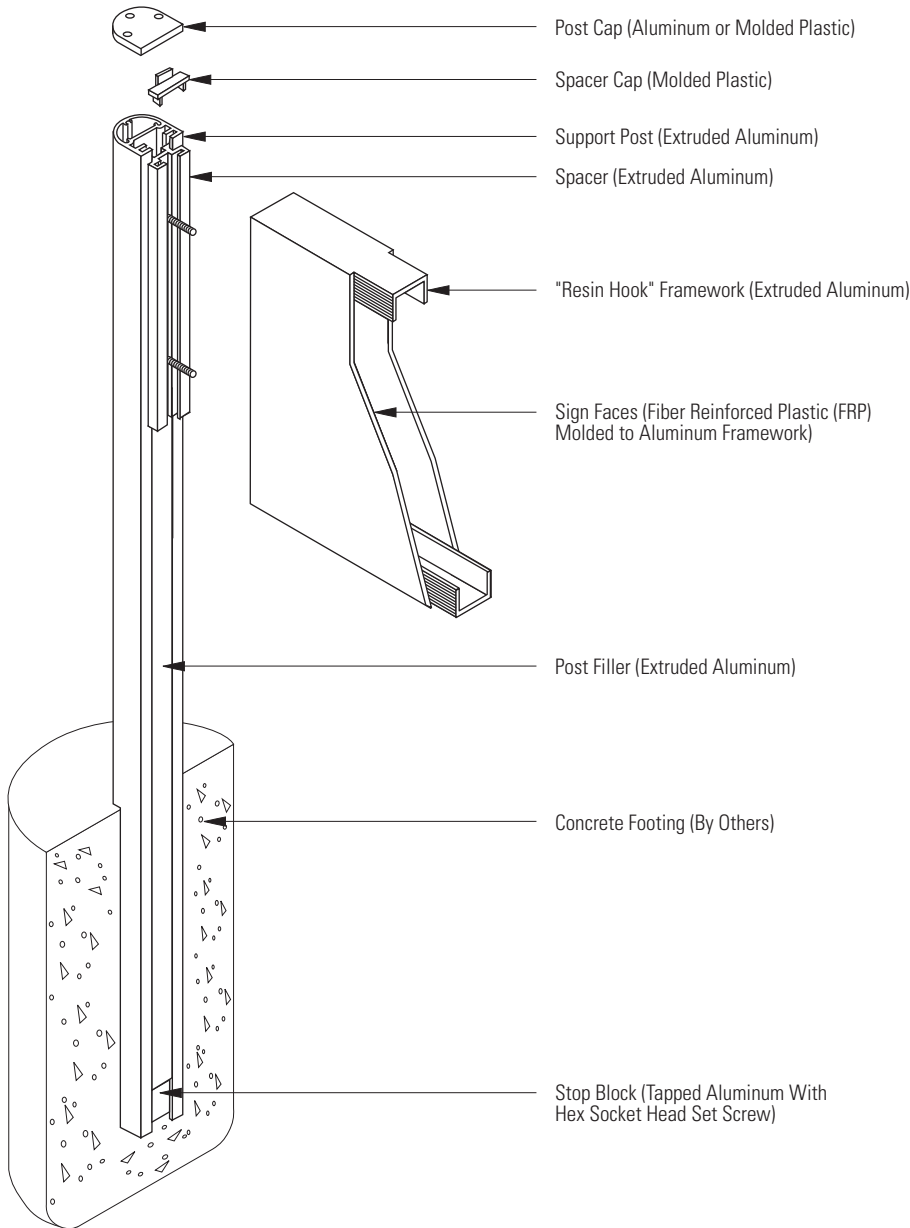
4110.1
2" Double Post and Panel

Customer : _____ Customer Order No. : _____

Project Name : _____ **APCO Order No.** : _____

Sign Type/Location No.: _____

Prepared by : (Print clearly) _____ Date : _____



Partial Exploded View

PolySign® Single Panel Series

Non-Illuminated Fiberglass



4110.1
2" Double Post and Panel

Sign Panel

Size: H. _____ W. _____ D. 2"

Background Color: _____

NOTE: Refer to Layout Drawing(s) for graphic layout and specifications.

Reveal Finish

315 Black Anodized (Standard)

Post Shape

Radius 50mm



Square 50mm



Contour 50mm



Post Finish

313 Dark Bronze Anodized

315 Black Anodized

Natural Satin Anodized

Other: _____

Mounting Method

In-Ground (Standard)

Above Grade with Steel Mounting Feet (Painted Finish Only)

Above Grade with Welded Aluminum Plates (Anodized Finish Not Recommended)

Above Grade Anchor Bolt Qty.: 4 Per Post / Total: 8

Anchors Provided By Others

Anchors by APCO

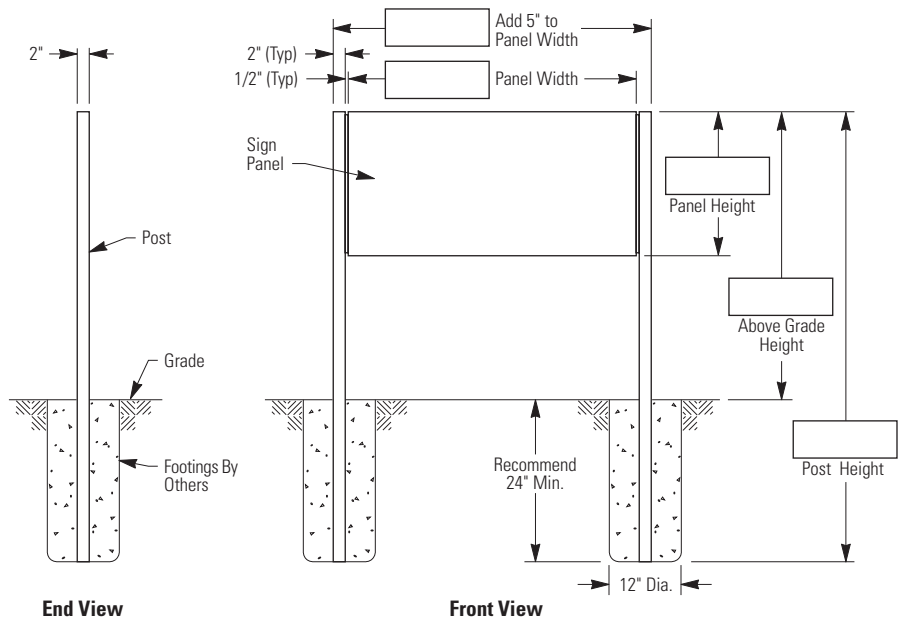
Special Comments

NOTES:

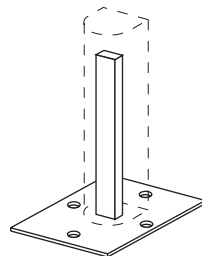
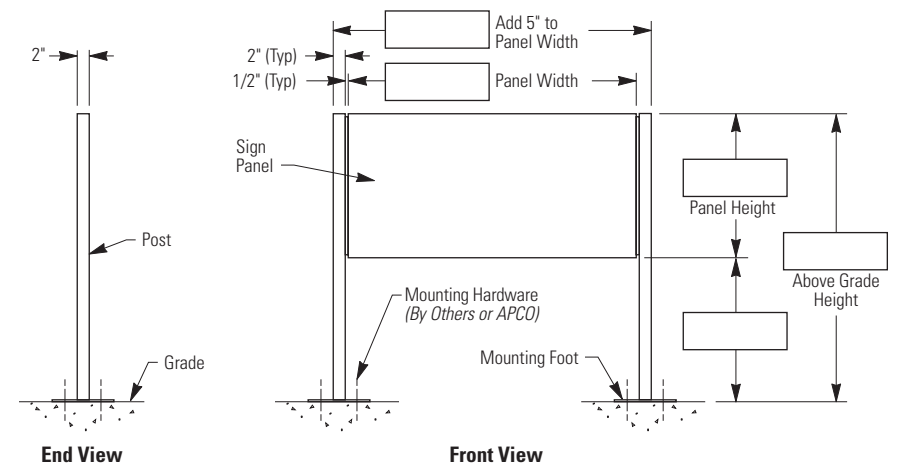
Sign must be assembled prior to installation.
 Footing design to be specified by qualified person(s) based on local codes and geographical practices such as frost lines, soil conditions, etc.

Anchor bolts to be specified by qualified person(s) and installed per manufacturer's recommendations.

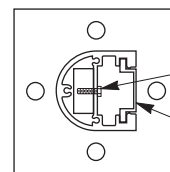
In-Ground Installation (Standard)



Above Grade Installation (Optional)



Steel Mounting Foot
 (Fits Radius, Square & Contour 50mm Posts)
 Mounting pattern available upon request.



Steel Mounting Foot Attachment
 (Radius Post Shown)