

Visuline® 2400.5 Series with DisplayLight™ 8" Companion Post Mounted Display



Specifications

Customer : _____

Customer Order No. : _____

Project Name : _____

APCO Order No. : _____

Sign Type/Location No.: _____

Prepared by : (Print clearly) _____

Date : _____

Revision (Date) : _____

Display Cabinet

- Interior Use
- Exterior Use

Size: H. _____ W. _____ D. 8"

Housing Finish

- Natural Satin Anodized
- 313 Dark Bronze Anodized
- 315 Black Anodized
- Other _____

Cabinet Side "B"

- Square profile and opaque door insert finished to match housing (*Single Sided Modules*)
- Door profile to match Side "A" (*Double Sided Modules*)

Door Hinge & Lock Device

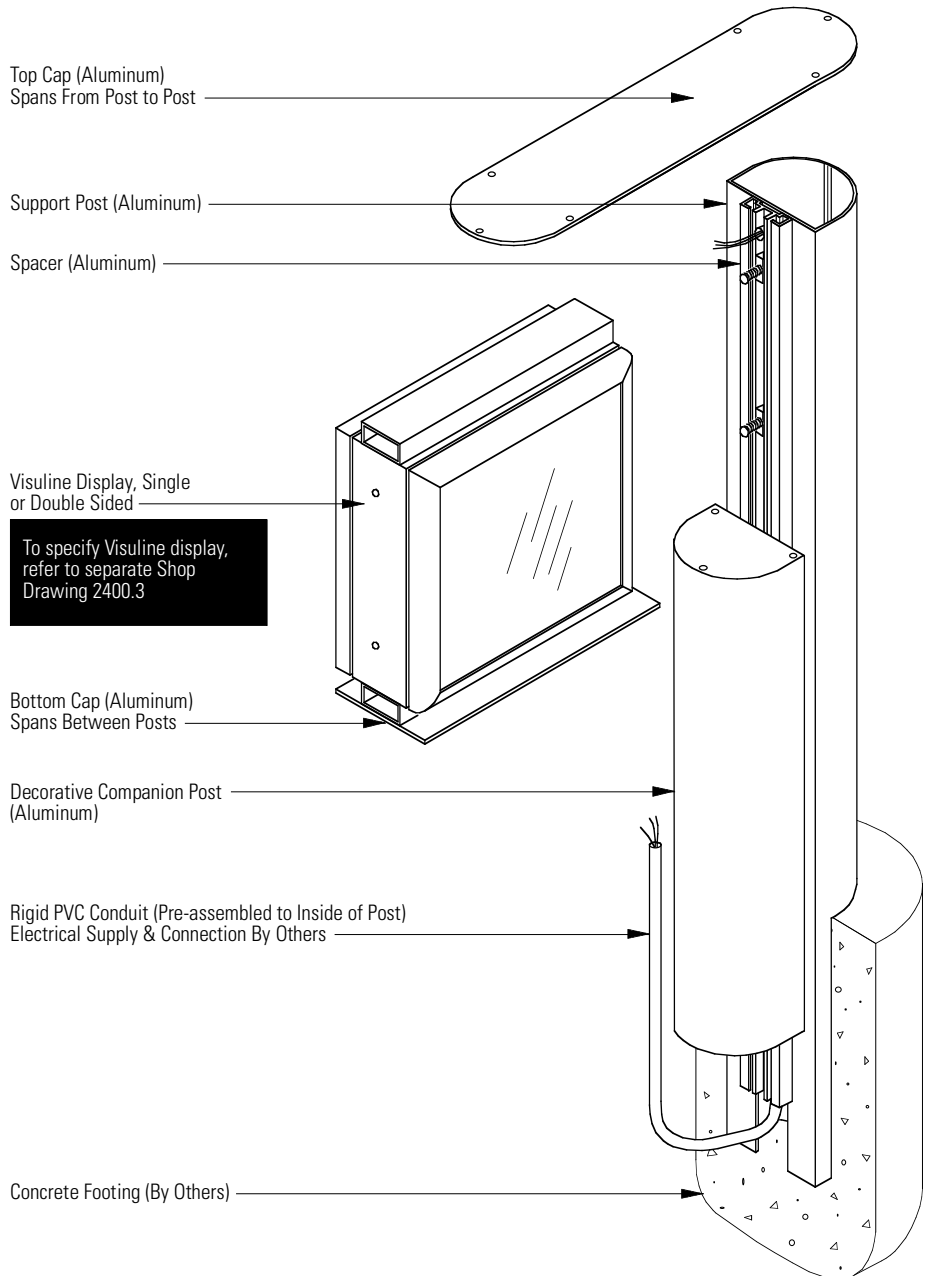
Side Hinged

- Left Right
 - 3M "Dual Lock" Fastener (*Std*)
 - Special "APCO Concealed Lock"
 - Conventional Keyed Cam Lock (*Requires custom 1" wide reveals*)

Top Hinged

- Top (*Opens approx. 60°, 75° or 90°, depending on door size & profile*)
 - 3M "Dual Lock" Fastener (*Std*)
 - Special "APCO Concealed Lock"
 - Keyed Plunger Lock

Special Comments



Partial Exploded View

Visuline® 2400.5 Series with DisplayLight™ 8" Companion Post Mounted Display



Specifications / Mounting Details

Support Post Shape

- Radius 200mm
(Adds 7" to each end of panel)
- Contour 200mm
(Adds 9-1/8" to each end of panel)
- Rectangular 200mm
(Adds 4" to each end of panel)

Support Post Finish

- Dark Bronze (Simulated Polyurethane)
- 315 Black (Simulated Polyurethane)
- Natural Satin (Simulated Polyurethane)
- Other: _____

Companion Post Shape

- To match Support Post (Std)
- Other _____

Reveal Finish

- 315 Black Anodized (Std)
- Other _____

Electrical

Power Entry

- Right Post (Std)
- Left Post

Mounting Method

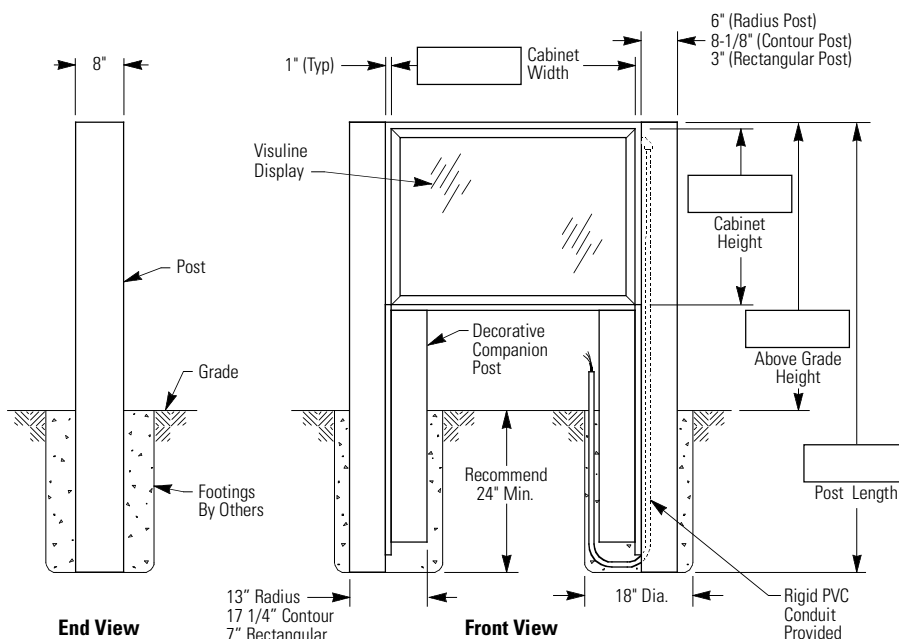
- In-Ground (Standard)
 - Above Grade with Welded Aluminum Plates
- Above Grade Anchor Bolt Qty.: 4 Per Post / Total: 8
- Anchors Provided By Others
 - Anchors by APCO

Special Comments

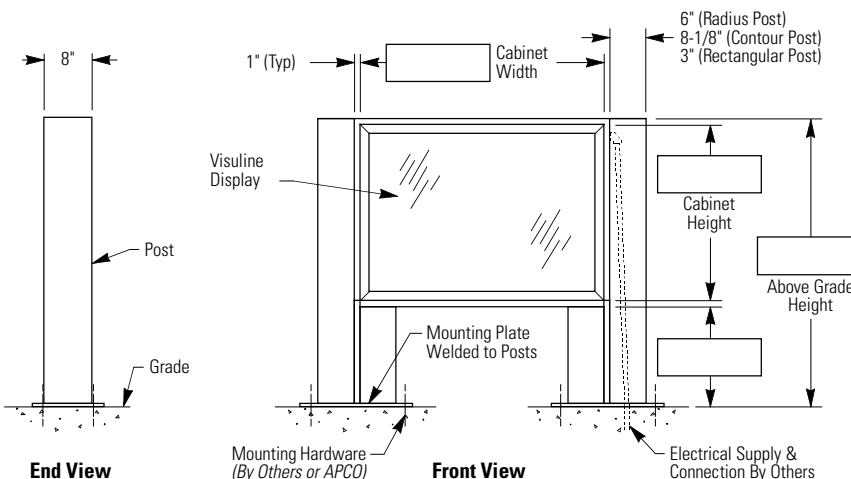
NOTES:

Sign must be assembled prior to installation.
 Footing design to be specified by qualified person(s) based on local codes and geographical practices such as frost lines, soil conditions, etc.
 Anchor bolts to be specified by qualified person(s) and installed per manufacturer's recommendations.

In-Ground Installation (Standard)

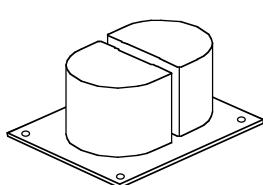


Above Grade Installation (Optional)

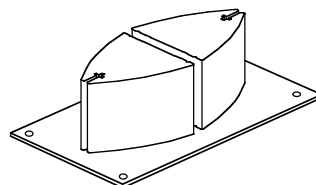


Welded Mounting Plates

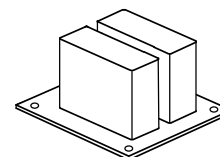
Mounting pattern available upon request.



Radius Companion Post



Contour Companion Post



Rectangular Companion Post