

Visuline® 2400.5 Series with DisplayLight™ 4" Companion Post Mounted Display



Specifications

Customer : _____

Customer Order No. : _____

Project Name : _____

APCO Order No. : _____

Sign Type/Location No.: _____

Prepared by : (Print clearly) _____ Date : _____

Revision (Date) : _____

Display Cabinet

- Interior Use
- Exterior Use

Size: H. _____ W. _____ D. 5-7/16"

Housing Finish

- Natural Satin Anodized
- 313 Dark Bronze Anodized
- 315 Black Anodized
- Other _____

Cabinet Back Plate

- Aluminum (Anodized to match housing)
- FRP (Painted cabinet housings only)

Door Hinge & Lock Device

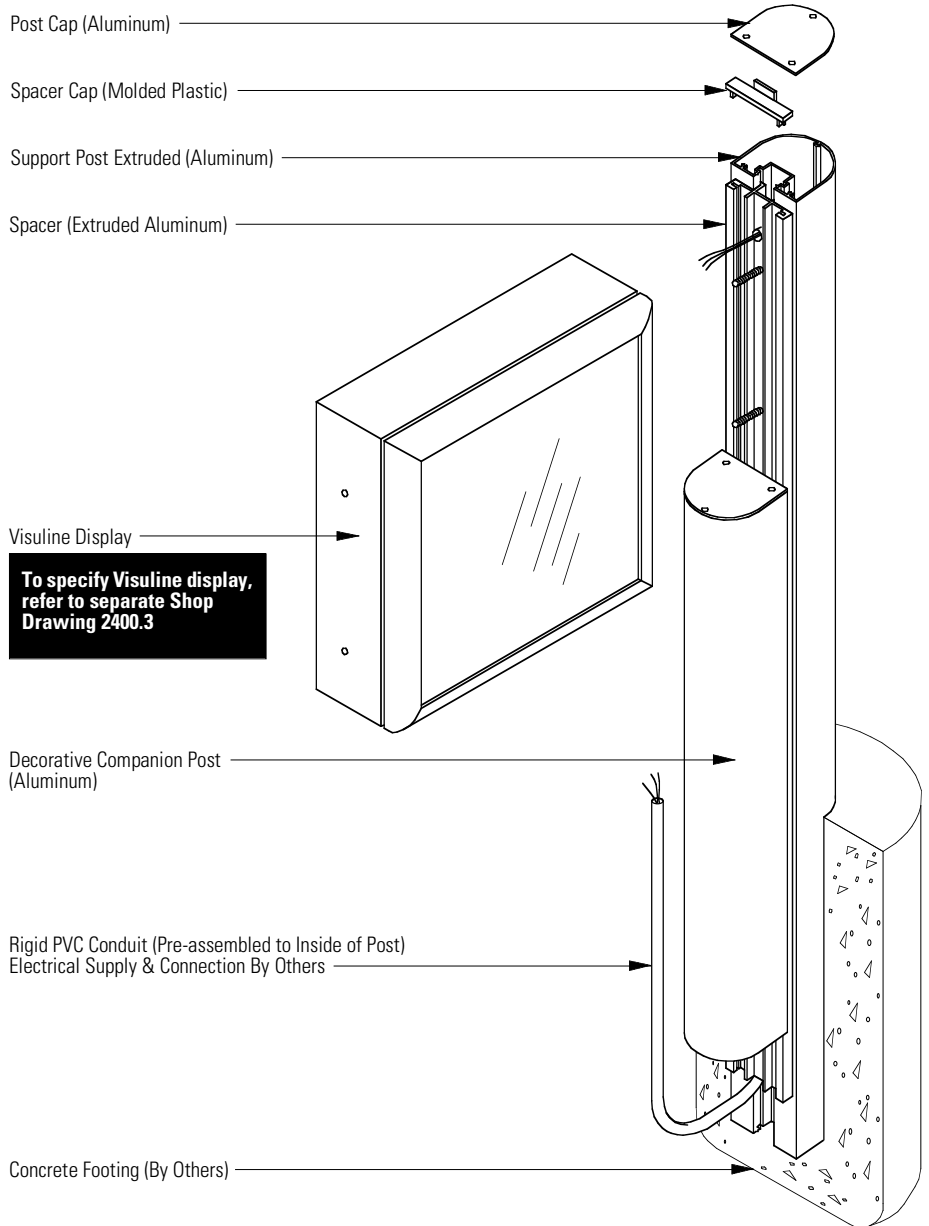
Side Hinged

- Left Right
- 3M "Dual Lock" Fastener (Std)
- Special "APCO Concealed Lock"
- Conventional Keyed Cam Lock (Requires custom 1" wide reveals)

Top Hinged

- Top (Opens approx. 60°, 75° or 90°, depending on door size & profile)
- 3M "Dual Lock" Fastener (Std)
- Special "APCO Concealed Lock"
- Keyed Plunger Lock

Special Comments



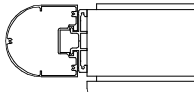
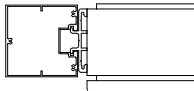
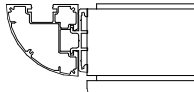
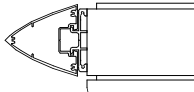
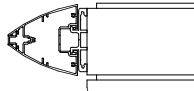
Partial Exploded View

Visuline® 2400.5 Series with DisplayLight™ 4" Companion Post Mounted Display



Specifications / Mounting Details

Post Shape

- Radius 100mm 
- Square 100mm 
- Quarter Round 
- Contour 100mm 
- Contour 100mm With EdgeSlot 

Companion Post Shape

- To match Support Post (Std)
- Other _____

Post Finish

Support Post

- Anodized Color _____
- Painted (To match cabinet housing)
- Other _____

Companion Post

- To match Support Post (Std)
- Other _____

Reveal Finish

- 315 Black Anodized (Standard)

Electrical

Power Entry

- Right Post (Std)
- Left Post

Mounting Method

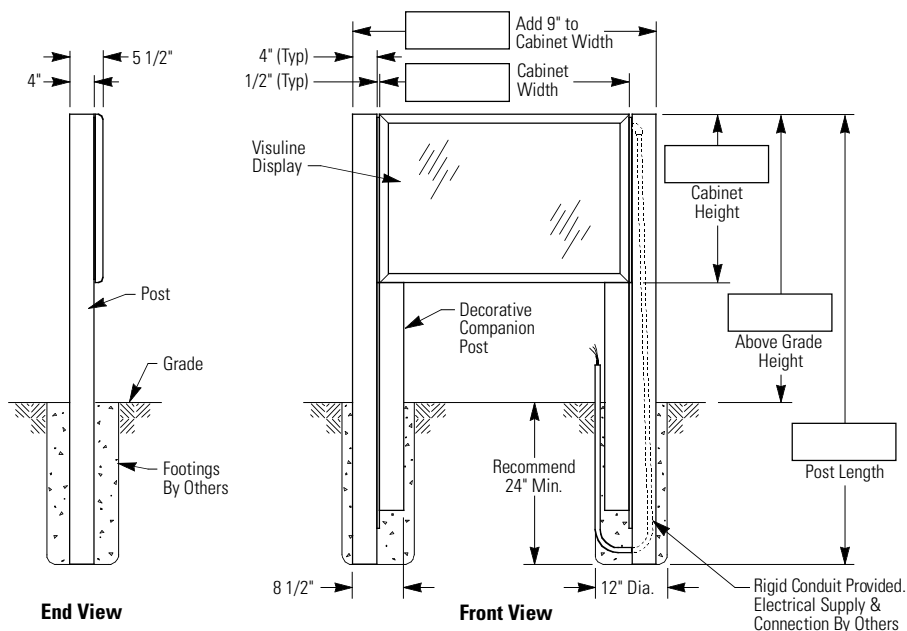
- In-Ground (Standard)
- Above Grade with Welded Aluminum Plates (Anodized Finish Not Recommended)

Above Grade Anchor Bolt Qty.: 4 Per Post / Total: 8

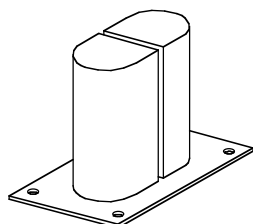
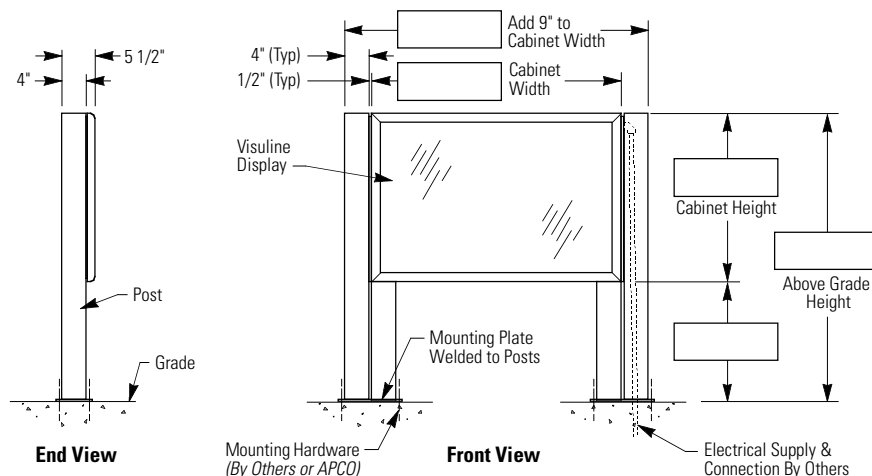
- Anchors Provided By Others
- Anchors by APCO

NOTES: Sign must be assembled prior to installation.
Footing design to be specified by qualified person(s) based on local codes and geographical practices such as frost lines, soil conditions, etc.
Anchor bolts to be specified by qualified person(s) and installed per manufacturer's recommendations.

In-Ground Installation (Standard)



Above Grade Installation (Optional)



Welded Mounting Plate
(Radius Companion Post Shown)
Mounting pattern available upon request.