

Visuline® 2400.5 Series with DisplayLight™ 4" Post Mounted Display



Specifications

Customer : _____

Customer Order No. : _____

Project Name : _____

APCO Order No. : _____

Sign Type/Location No.: _____

Prepared by : (Print clearly) _____ Date : _____

Revision (Date) : _____

Display Cabinet

- Interior Use
- Exterior Use

Size: H. _____ W. _____ D. 5-7/16"

Housing Finish

- Natural Satin Anodized
- 313 Dark Bronze Anodized
- 315 Black Anodized
- Other _____

Cabinet Back Plate

- Aluminum (Anodized to match housing)
- FRP (Painted cabinet housings only)

Door Hinge & Lock Device

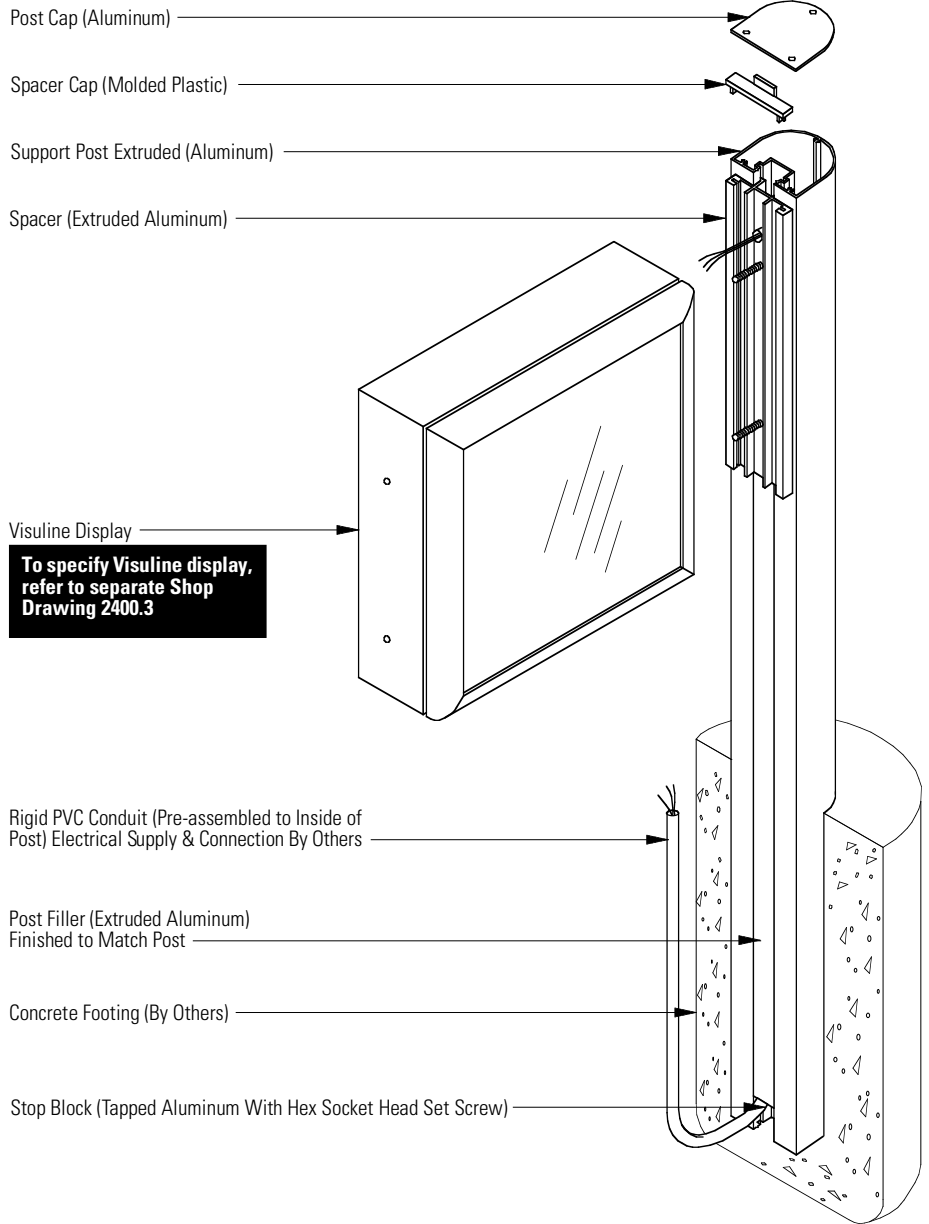
Side Hinged

- Left Right
- 3M "Dual Lock" Fastener (Std)
- Special "APCO Concealed Lock"
- Conventional Keyed Cam Lock (Requires custom 1" wide reveals)

Top Hinged

- Top (Opens approx. 60°, 75° or 90°, depending on door size & profile)
- 3M "Dual Lock" Fastener (Std)
- Special "APCO Concealed Lock"
- Keyed Plunger Lock

Special Comments



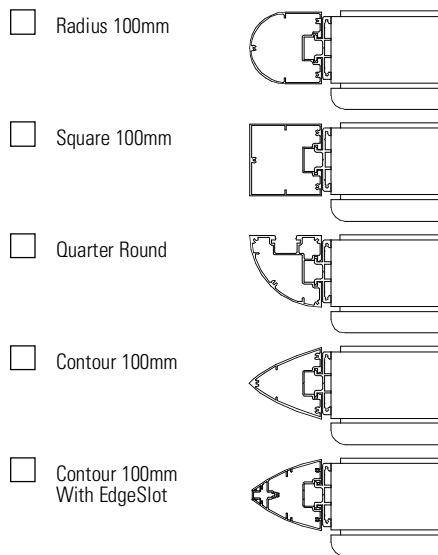
Partial Exploded View

Visuline® 2400.5 Series with DisplayLight™ 4" Post Mounted Display

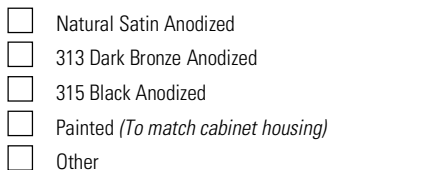


Specifications / Mounting Details

Post Shape



Post Finish

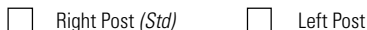


Reveal Finish

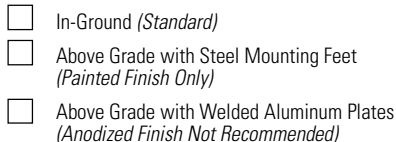


Electrical

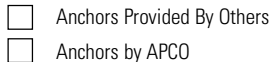
Power Entry



Mounting Method



Above Grade Anchor Bolt Qty.: 4 Per Post / Total: 8

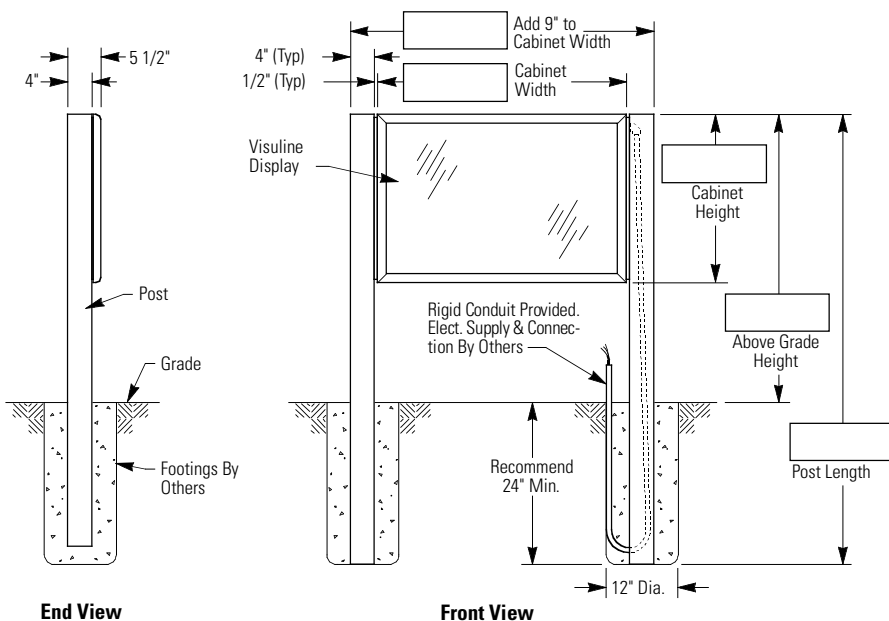


Special Comments

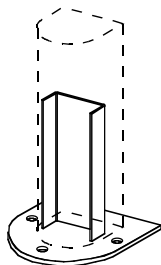
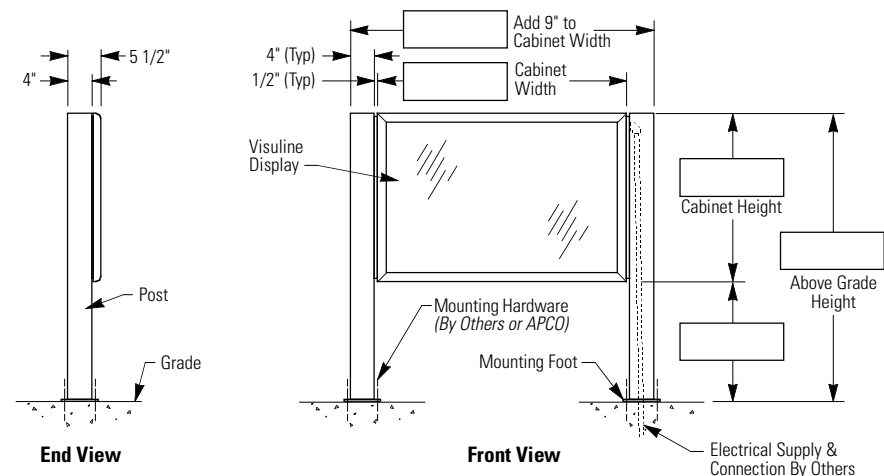
NOTES:

Sign must be assembled prior to installation.
 Footing design to be specified by qualified person(s) based on local codes and geographical practices such as frost lines, soil conditions, etc.
 Anchor bolts to be specified by qualified person(s) and installed per manufacturer's recommendations.

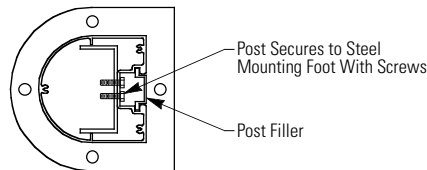
In-Ground Installation (Standard)



Above Grade Installation (Optional)



Steel Mounting Foot
 (Radius 100mm Post Shown)
 Mounting pattern available upon request.



Steel Mounting Foot Attachment
 (Radius 100mm Post Shown)