

Visuline® 2400.3 Series with DisplayLight™ Surface Mounted Display



SUBMITTED FOR APPROVAL

This product is scheduled for shipment the week of :

Date _____

Production cannot begin until one (1) copy of these drawings is returned with your signature of approval by :

Date _____, otherwise rescheduling will be necessary. Drawing revisions may also require rescheduling.

Retain _____ Set(s)

Return _____ Set(s)

Customer Approval Required *(Check appropriate box)*

Purchaser _____

By (Print name & title clearly) _____

Signature _____ Date _____

Approved for Production

Approved as noted

Not approved
Resubmit with changes
Product subject to rescheduling

FOR REFERENCE ONLY *(Customer Waives Approval)*

Production Has Begun

This product is scheduled for shipment the week of :

Date _____

It is understood that customer, in waiving formal approval procedure, assumes full responsibility for the specifications, dimensions and details included herein.

APCO Use

Project Name _____ **APCO Order No.** _____

Customer Order No. _____

Original Submittal Date : _____

Prepared by (Print clearly) _____

Revision (Date) _____

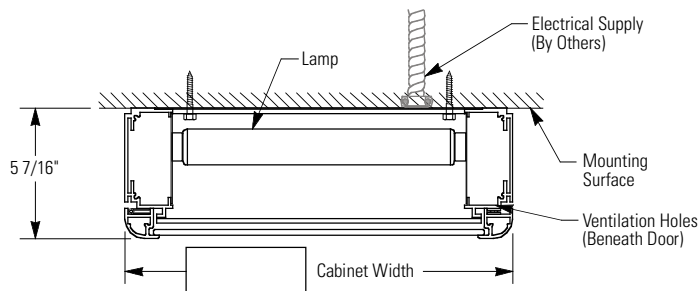
All design rights reserved.

Visuline® 2400.3 Series with DisplayLight™ Surface Mounted Display

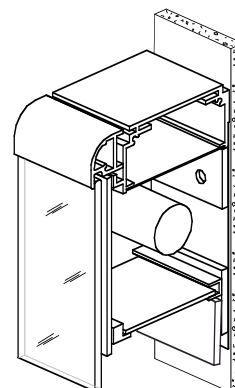


Product Details

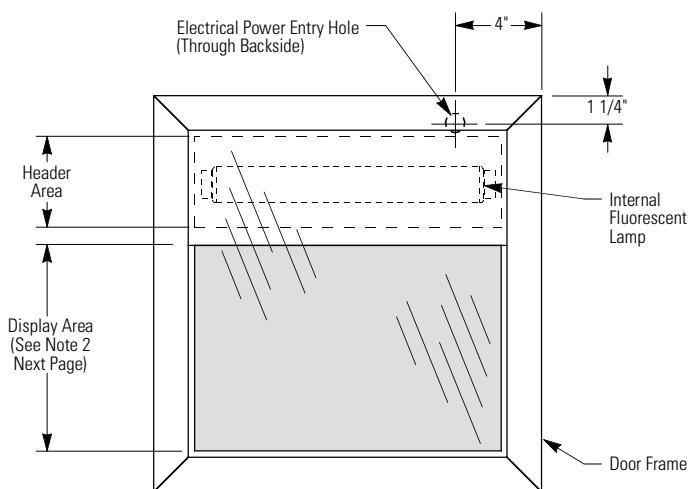
Section : Plan View



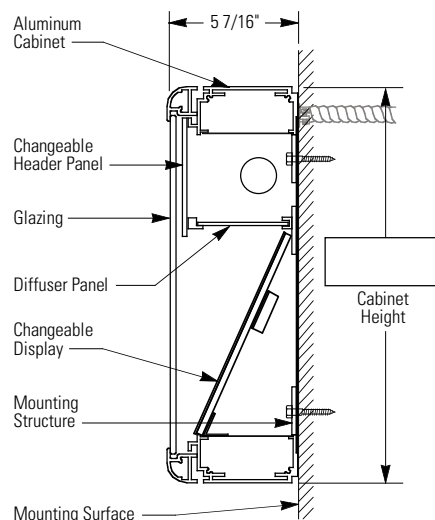
Cut-away Isometric View



Elevation : Front View

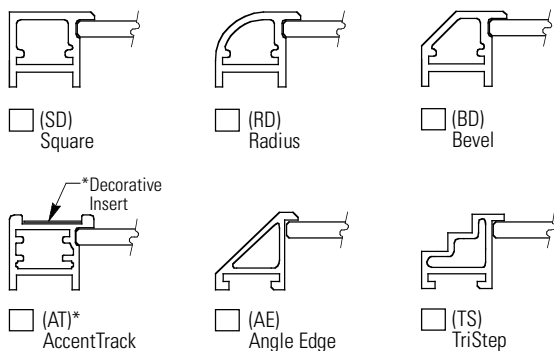


Section : Side View



Door Profile Options

All shapes available in aluminum. Brass available in SD, RD & BD only.



* AccentTrack door accommodates insert materials 1" wide and up to .090" thick, furnished either by APCO or by customer.

Visuline® 2400.3 Series with DisplayLight™ Surface Mounted Display



Specifications

Product

- Interior Use
 - Exterior Use
- Size: H. _____ W. _____ D. 5-7/16"
- Estimated Weight _____

Door Frame Shape

- Square
- Radius
- Bevel
- AccentTrack
- AngleEdge
- TriStep

Hinge Location

- Left
- Top
(Opens approx. 60°, 75° or 90°, depending on door size & shape)
- Other _____

Door Locking Device

- 3M "Dual Lock" Fastener *(Standard)*
- Special "APCO Concealed Lock"
- Keyed Plunger Lock

Glazing

- Clear Tempered Glass *(Standard)*
(See Note 2)
- Other _____

Cabinet Back Plate

- Aluminum *(Std. for Anodized Finishes)*
- FRP *(Std. for Exposed Back Plate with Painted Finish)*

Note 1

Display area is calculated by subtracting 10-13/16" from cabinet height and 4-1/16" from cabinet width.

$$\frac{\text{Cabinet Height}}{\text{Cabinet Height}} - 10 \frac{13}{16}" = \frac{\text{Display Height}}{\text{Display Height}} \quad \frac{\text{Cabinet Width}}{\text{Cabinet Width}} - 4 \frac{1}{16}" = \frac{\text{Display Width}}{\text{Display Width}}$$

Note 2

Clear glass has a natural slight green tint. Though typically unnoticeable, it may affect the appearance of certain colors.

Note 3

All display components are available for interior use. Refer to Product Technical Manual for those components approved for exterior applications.

Finishes

Door

- Natural Satin Anodized
- 313 Dark Bronze Anodized
- 315 Black Anodized
- Other _____

Housing

- Natural Satin Anodized
- 313 Dark Bronze Anodized
- 315 Black Anodized
- Painted _____
(Req'd. when FRP Back Plate is spec'd.)
- Other _____

Cabinet Back Plate

- Finished to match housing
- Other _____

Electrical

Voltage

- 120V, 60Hz *(Std)*
 - 277V, 60Hz
- Amperage _____

Power Entry

- Upper Right Corner Thru Backside *(Standard)*
- Other _____
(Show on "Product Details" page)

Lamps

Type _____

Quantity _____

Special Comments

Component Information

See Notes 1 & 3

- Single Component Configuration
- Multiple Component Configuration
(Provide Format)

Header

- 6" *(Illuminated Height - Standard)*
- Other _____
- Illuminated Non-Illum. Blank

Directory

Informer Message Strips *(Molded Plastic)*

- I-50; 1/2" x 9"
- Color: _____ Total Qty.: _____
- I-100; 1" x 9"
- Color: _____ Total Qty.: _____

Accord15™ SignBands

Part Code	Length	Color	Qty.

Accord15™ SignBands w/ Paper Insert

Part Code	Length	Color	Qty.

Maps or Plans

Size: H. _____ W. _____

Magnetic Board

Size: H. _____ W. _____

Color: _____

Cork Board

Size: H. _____ W. _____

Color: _____

Fabric Board

Size: H. _____ W. _____

Color: _____

Custom Components

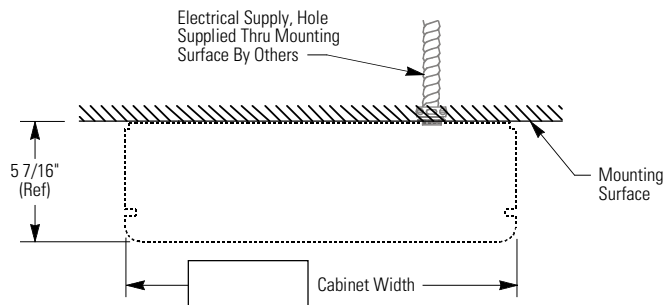
- Complete Specifications Provided

Visuline® 2400.3 Series with DisplayLight™ Surface Mounted Display



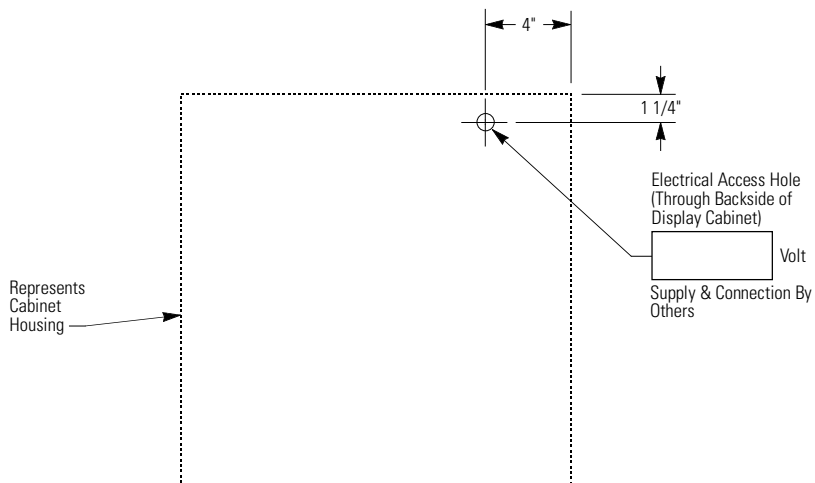
Installation / Mounting Details

Section : Plan View



IMPORTANT :
APCO IS NOT RESPONSIBLE FOR DESIGN OR CONSTRUCTION OF WALL STRUCTURE OR MOUNTING SURFACE.
 Adequate wall structure for mounting directory must be provided by others.

Elevation : Front View



Section : Side View

