

Visuline® 2400.2 Series with DisplayLight™ Full Recessed Display



SUBMITTED FOR APPROVAL

This product is scheduled for shipment the week of :

Date _____

Production cannot begin until one (1) copy of these drawings is returned with your signature of approval by :

Date _____, otherwise rescheduling will be necessary. Drawing revisions may also require rescheduling.

Retain _____ Set(s)

Return _____ Set(s)

Customer Approval Required *(Check appropriate box)*

Purchaser _____

By (Print name & title clearly) _____

Signature _____ Date _____

Approved for Production

Approved as noted

Not approved
Resubmit with changes
Product subject to rescheduling

FOR REFERENCE ONLY *(Customer Waives Approval)*

Production Has Begun

This product is scheduled for shipment the week of :

Date _____

It is understood that customer, in waiving formal approval procedure, assumes full responsibility for the specifications, dimensions and details included herein.

APCO Use

Project Name _____ **APCO Order No.** _____

Customer Order No. _____

Original Submittal Date : _____

Prepared by (Print clearly) _____

Revision (Date) _____

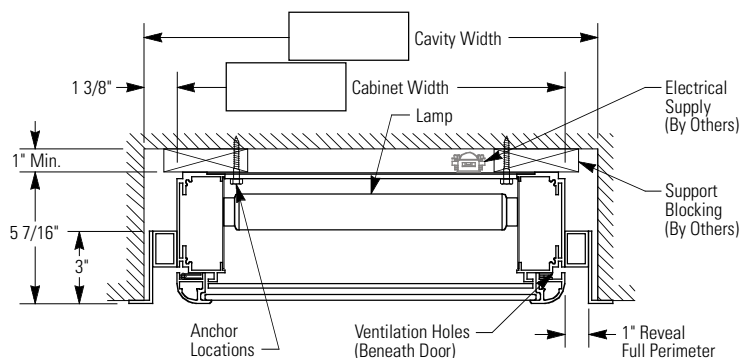
All design rights reserved.

Visuline® 2400.2 Series with DisplayLight™ Full Recessed Display

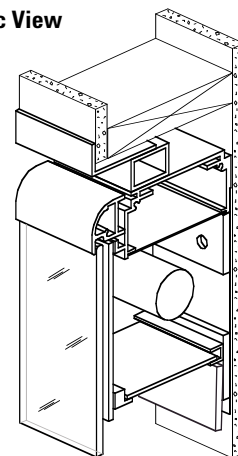


Product Details

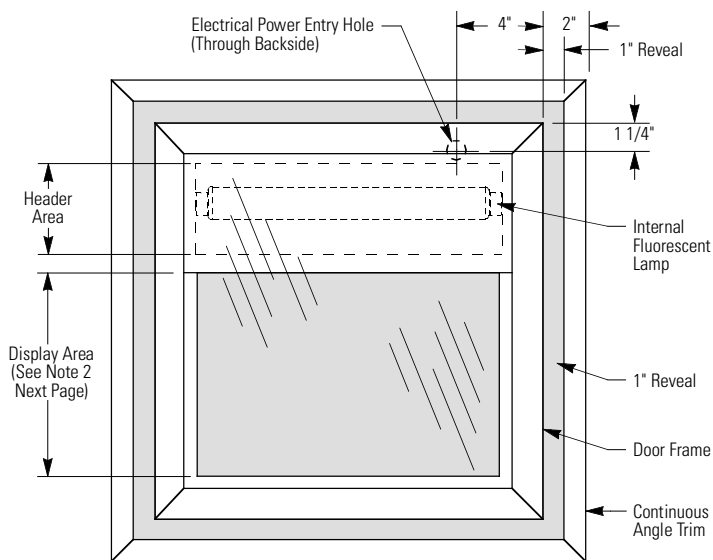
Section : Plan View



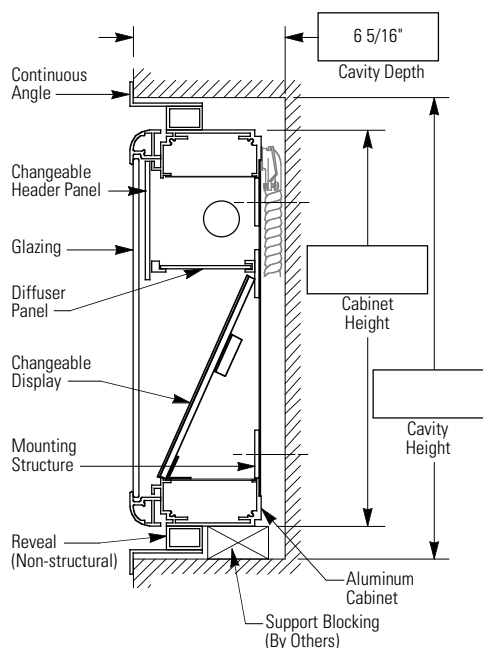
Cut-away Isometric View



Elevation : Front View

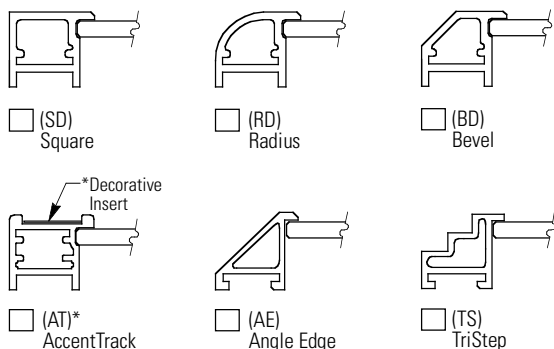


Section : Side View



Door Profile Options

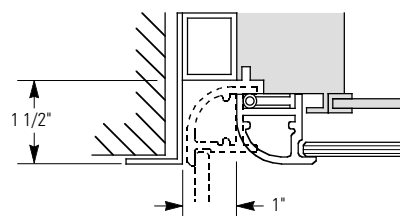
All shapes available in aluminum. Brass available in SD, RD & BD only.



* AccentTrack door accommodates insert materials 1" wide and up to .090" thick, furnished either by APCO or by customer.

Door Operating Clearance

A 1" wide Reveal (tube) is attached to the cabinet at a 1-1/2" depth to maintain proper door operation. A decorative, non-structural trim is then attached to the tube.



IMPORTANT :
See "Installation / Mounting Details" page to determine Cavity Dimensions.

Visuline® 2400.2 Series with DisplayLight™ Full Recessed Display



Specifications

Product

- Interior Use
 Exterior Use
 Size: H. _____ W. _____ D. 5-7/16"
 Estimated Weight _____

Wall Cavity

- See Note 1
 Existing Cavity
 To Be Constructed
 Size: H. _____ W. _____ D. _____

Door Frame Shape

- Square AccentTrack
 Radius AngleEdge
 Bevel TriStep

Hinge Location

- Left
 Top
(Opens approx. 60°, 75° or 90°, depending on door size & shape)
 Other _____

Door Locking Device

- 3M "Dual Lock" Fastener (Standard)
 Special "APCO Concealed Lock"
 Conventional Keyed Cam Lock

Glazing

- Clear Tempered Glass (Standard)
(See Note 3)
 Other _____

Special Comments

Note 1

Wall cavity size is determined by adding cabinet housing, surrounding reveal, trim and installation clearance. Trim styles and cavity opening calculations for each are illustrated on "Installation / Mounting Details" page.

Note 2

Display area is calculated by subtracting 10-13/16" from cabinet height and 4-1/16" from cabinet width.

$$\frac{\text{Cabinet Height}}{\text{Cabinet Height}} - 10 \frac{13}{16}" = \frac{\text{Display Height}}{\text{Display Height}} \quad \frac{\text{Cabinet Width}}{\text{Cabinet Width}} - 4 \frac{1}{16}" = \frac{\text{Display Width}}{\text{Display Width}}$$

Note 3

Clear glass has a natural slight green tint. Though typically unnoticeable, it may affect the appearance of certain colors.

Note 4

All display components are available for interior use. Refer to Product Technical Manual for those components approved for exterior applications.

Continuous Angle / Trim

- See Note 1
 1" Wide Angle (Standard)
 1/8" Wide "Flat Bar" Trim
 Omit Angle / Trim (1" Reveal Remains)
 Other _____

Finishes

- Door**
 Natural Satin Anodized
 315 Black Anodized
 Other _____

Housing

- Natural Satin Anodized
 315 Black Anodized
 Other _____

Reveal

- Natural Satin Anodized
 315 Black Anodized
 Other _____

Continuous Angle / Trim

- See Note 1
 Natural Satin Anodized
 315 Black Anodized
 Other _____

Electrical

- Voltage**
 120V, 60Hz (Std) 277V, 60Hz
 Amperage _____

Power Entry

- Upper Right Corner Thru Backside (Std)
 Other _____
(Show on "Product Details" page)

Lamps

- Type _____
 Quantity _____

Component Information

- See Notes 2 & 4
 Single Component Configuration
 Multiple Component Configuration
(Provide Format)

Header

- 6" (Illuminated Height - Standard)
 Other _____
 Illuminated Non-Illum. Blank

Directory

- Informer Message Strips** (Molded Plastic)
 I-50; 1/2" x 9"
 Color: _____ Total Qty.: _____
 I-100; 1" x 9"
 Color: _____ Total Qty.: _____

Accord15™ SignBands

Part Code	Length	Color	Qty.
_____	_____	_____	_____
_____	_____	_____	_____
_____	_____	_____	_____
_____	_____	_____	_____
_____	_____	_____	_____

Accord15™ SignBands w/ Paper Insert

Part Code	Length	Color	Qty.
_____	_____	_____	_____
_____	_____	_____	_____
_____	_____	_____	_____
_____	_____	_____	_____
_____	_____	_____	_____

Maps or Plans

Size: H. _____ W. _____

Magnetic Board

Size: H. _____ W. _____
 Color: _____

Cork Board

Size: H. _____ W. _____
 Color: _____

Fabric Board

Size: H. _____ W. _____
 Color: _____

Custom Components

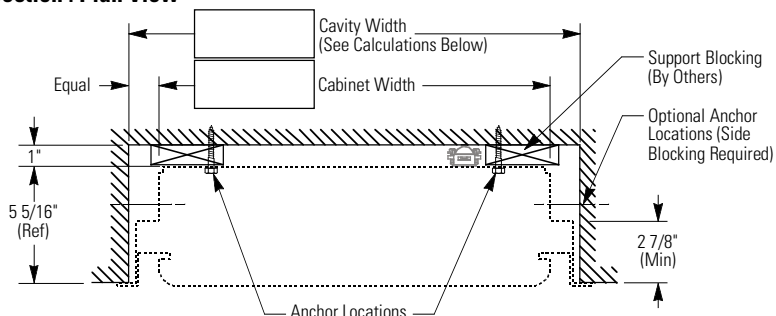
- Complete Specifications Provided

Visuline® 2400.2 Series with DisplayLight™ Full Recessed Display



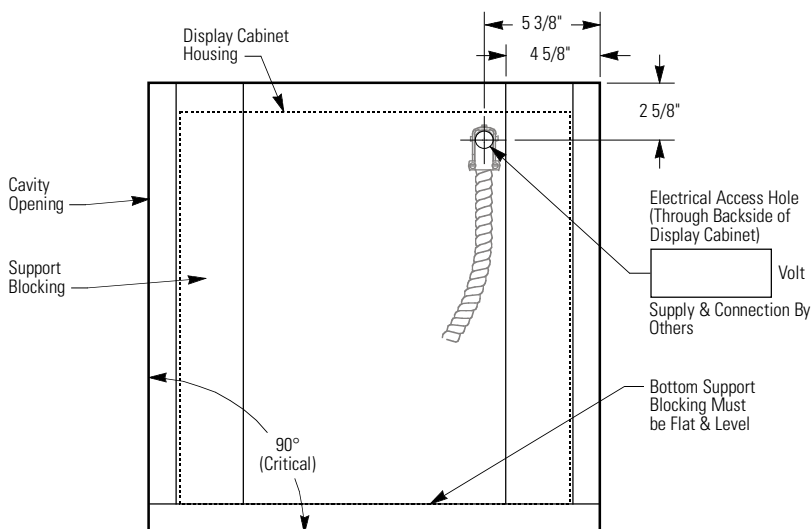
Installation / Mounting Details

Section : Plan View

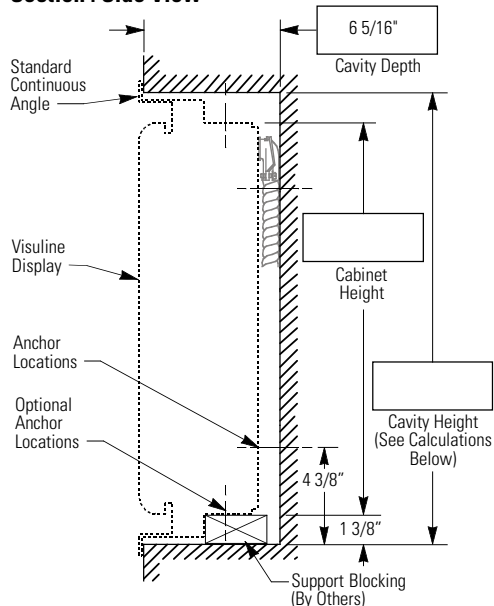


IMPORTANT :
APCO IS NOT RESPONSIBLE FOR CAVITY CONSTRUCTION WHICH VARIES FROM SPECIFICATIONS SHOWN ON THIS PAGE.
Cavity opening size must be precisely constructed in terms of both size and squareness. Size calculations and cavity opening tolerances are shown below for each trim style.

Elevation : Front View



Section : Side View



Cavity Size : Standard

Continuous Angle

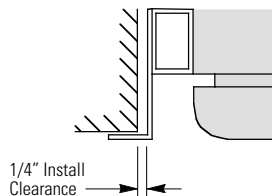
The Continuous Angle is recommended to conceal rough cut openings while allowing for inconsistencies in cavity size. It also helps to avoid obstruction of the reveal area which is required for proper door operation. To determine cavity opening, add 2-3/4" to both the cabinet's height and width.

$$\text{Cabinet Height} + 2\text{-}3/4" = \text{Cavity Height}$$

$$\text{Cabinet Width} + 2\text{-}3/4" = \text{Cavity Width}$$

These calculations include a 1" Reveal, 1/8" thick Continuous Angle and 1/2" total installation clearance.

Overall cavity tolerance is +/- 1/8".



Cavity Size : Optional

"Flat Bar" Trim

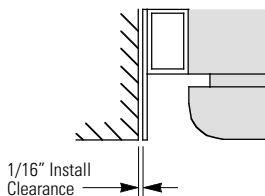
A 1/8" wide "Flat Bar" can be substituted when the 1" wide Continuous Angle is not desired. To determine cavity opening, add 2-3/8" to both the cabinet's height and width.

$$\text{Cabinet Height} + 2\text{-}3/8" = \text{Cavity Height}$$

$$\text{Cabinet Width} + 2\text{-}3/8" = \text{Cavity Width}$$

These calculations include a 1" Reveal, 1/8" thick Flat Bar and 1/8" total installation clearance.

Overall cavity tolerance is +1/8", minus 0".



Cavity Size : Optional

Angle / Trim Omitted

When cavity space is a factor, the surrounding trim can be eliminated to obtain the largest directory/cavity combination. The 1" reveal remains to maintain proper door operation. To determine cavity opening, add 2-1/8" to both the cabinet's height and width.

$$\text{Cabinet Height} + 2\text{-}1/8" = \text{Cavity Height}$$

$$\text{Cabinet Width} + 2\text{-}1/8" = \text{Cavity Width}$$

These calculations include a 1" Reveal and 1/8" total installation clearance.

Overall cavity tolerance is +1/8", minus 0".

