

# Visuline® 2300.3GC Series

## Surface Mounted Display



**SUBMITTED FOR APPROVAL**

This product is scheduled for shipment the week of :

Date \_\_\_\_\_

Production cannot begin until one (1) copy of these drawings is returned with your signature of approval by :

Date \_\_\_\_\_, otherwise rescheduling will be necessary. Drawing revisions may also require rescheduling.

Retain \_\_\_\_\_ Set(s)

Return \_\_\_\_\_ Set(s)

**Customer Approval Required** *(Check appropriate box)*

Purchaser \_\_\_\_\_

By (Print name & title clearly) \_\_\_\_\_

Signature \_\_\_\_\_ Date \_\_\_\_\_

Approved for Production

Approved as noted

Not approved  
Resubmit with changes  
Product subject to rescheduling

**FOR REFERENCE ONLY** *(Customer Waives Approval)*

### Production Has Begun

This product is scheduled for shipment the week of :

Date \_\_\_\_\_

It is understood that customer, in waiving formal approval procedure, assumes full responsibility for the specifications, dimensions and details included herein.

### APCO Use

Project Name \_\_\_\_\_ **APCO Order No.** \_\_\_\_\_

Customer Order No. \_\_\_\_\_

Original Submittal Date : \_\_\_\_\_

Prepared by (Print clearly) \_\_\_\_\_

Revision (Date) \_\_\_\_\_

All design rights reserved.

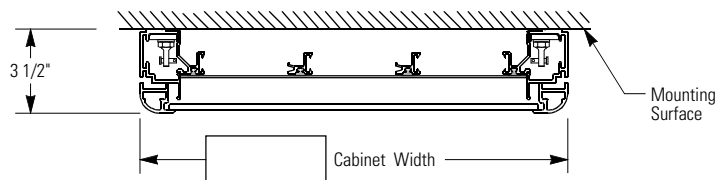
# Visuline® 2300.3GC Series

## Surface Mounted Display

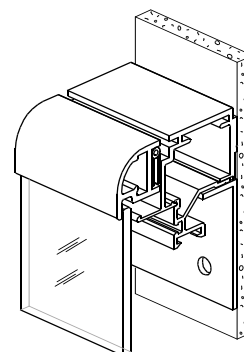


### Product Details

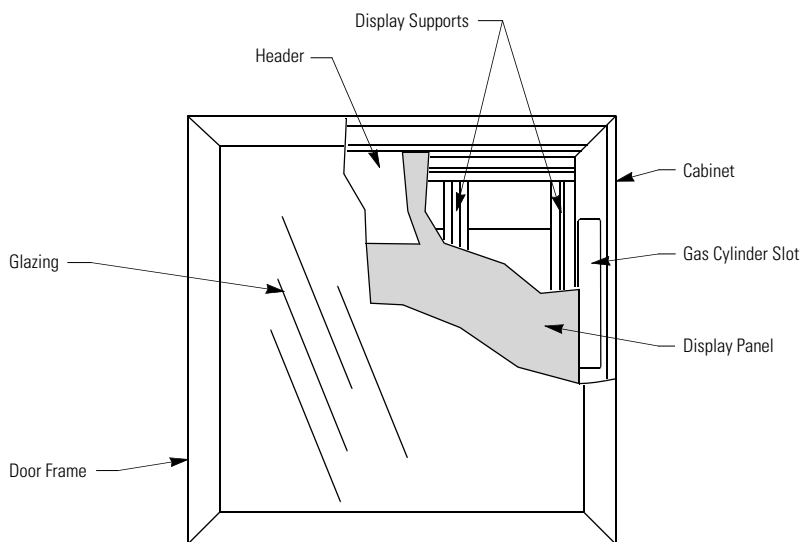
#### Section : Plan View



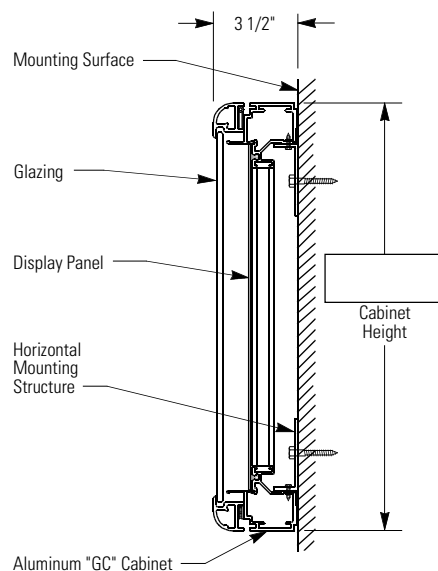
#### Cut-away Isometric View



#### Elevation : Front View

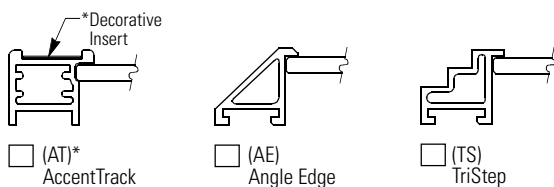
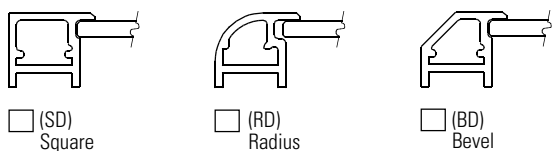


#### Section : Side View



#### Door Profile Options

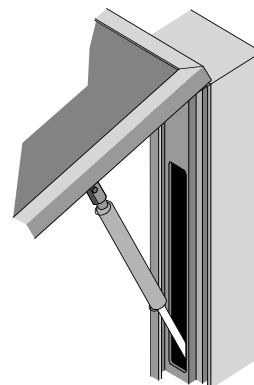
All shapes available in aluminum. Brass available in SD & RD only.



\* AccentTrack door accommodates insert materials 1" wide and up to .090" thick, furnished either by APCO or by customer.

#### Gas Cylinder "Assists"

"GC" Cabinets are specifically designed for heavy, top hinged doors.



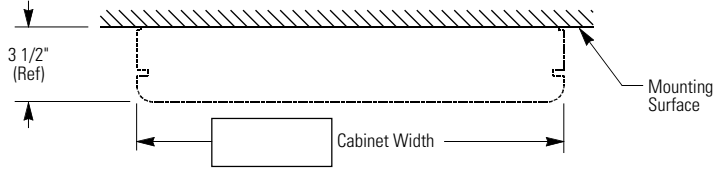


# Visuline® 2300.3GC Series Surface Mounted Display



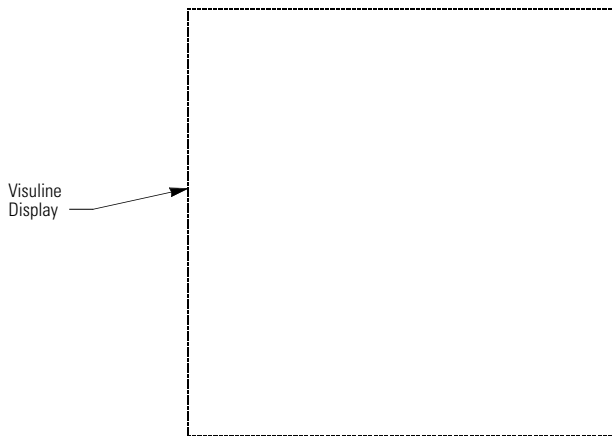
## Installation / Mounting Details

### Section : Plan View



**IMPORTANT :**  
APCO IS NOT RESPONSIBLE FOR DESIGN OR  
CONSTRUCTION OF WALL STRUCTURE OR  
MOUNTING SURFACE.  
Adequate wall structure for mounting directory  
must be provided by others.

### Elevation : Front View



### Section : Side View

