

Visulite® 2240.2 & 2240.3 Series Pedestal Mounted Directories



SUBMITTED FOR APPROVAL

This product is scheduled for shipment the week of :

Date _____

Production cannot begin until one (1) copy of these drawings is returned with your signature of approval by :

Date _____ , otherwise rescheduling will be necessary. Drawing revisions may also require rescheduling.

Retain _____ Set(s)

Return _____ Set(s)

Customer Approval Required *(Check appropriate box)*

Purchaser _____

By (Print name & title clearly) _____

Signature _____ Date _____

Approved for Production

Approved as noted

Not approved
Resubmit with changes
Product subject to rescheduling

FOR REFERENCE ONLY *(Customer Waives Approval)*

Production Has Begun

This product is scheduled for shipment the week of :

Date _____

It is understood that customer, in waiving formal approval procedure, assumes full responsibility for the specifications, dimensions and details included herein.

APCO Use

Project Name _____ **APCO Order No.** _____

Customer Order No. _____

Original Submittal Date : _____

Prepared by (Print clearly) _____

Revision (Date) _____

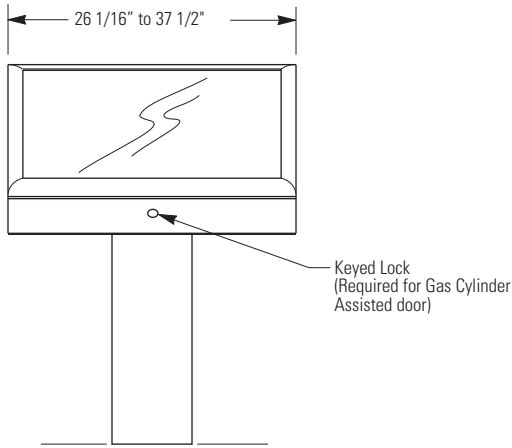
All design rights reserved.

Visulite® 2240.2 & 2240.3 Series Pedestal Mounted Directories

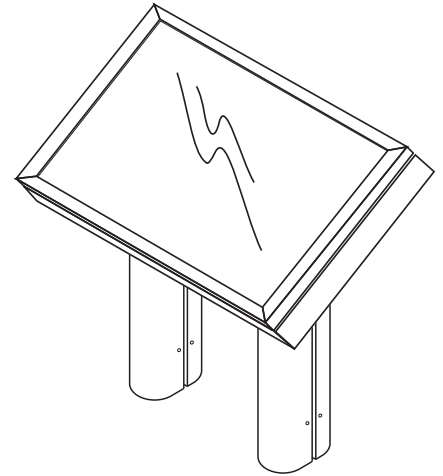


Product Details

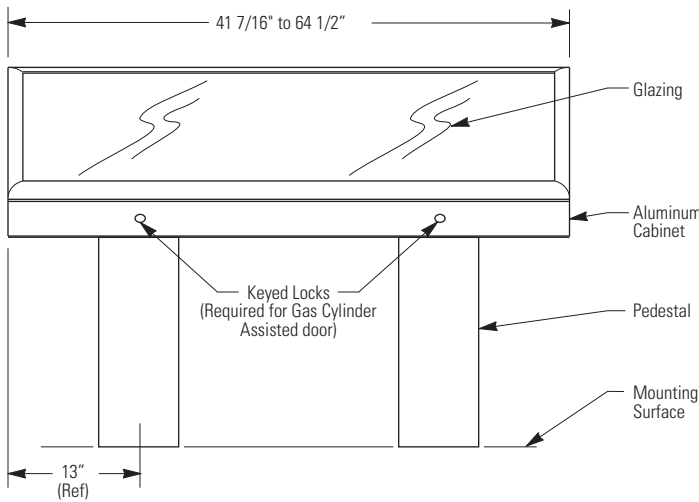
Front View : 2240.2 Single Pedestal



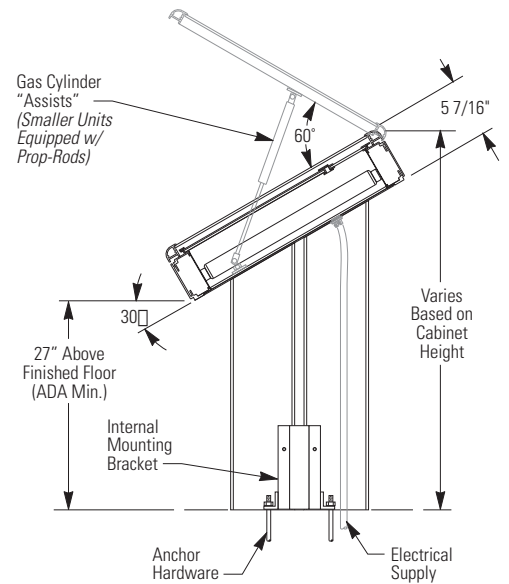
Isometric View



Front View : 2240.3 Double Pedestal

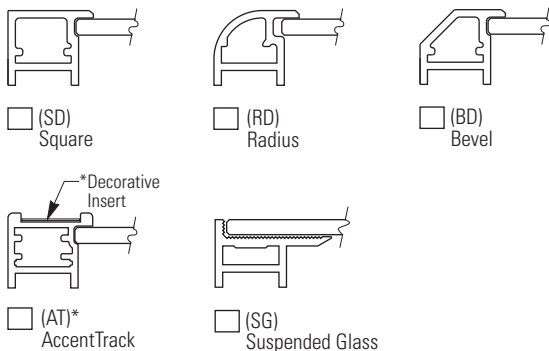


Section : Side View

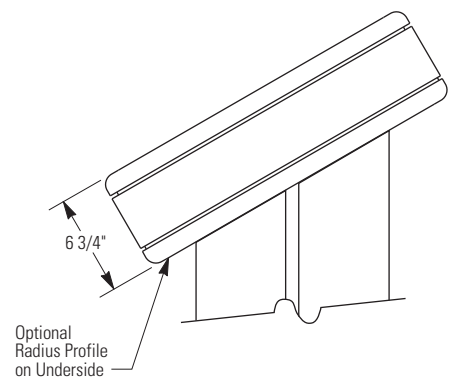


Door Profile Options

All shapes available in aluminum. Brass available in SD & RD only.



Underside Door Profile Option



* AccentTrack door accommodates insert materials 1" wide and up to .090" thick, furnished either by APCO or by customer.

Visulite® 2240.2 & 2240.3 Series Pedestal Mounted Directories



Specifications

Directory Housing Size

Size: H.* _____ W. _____ D. 5-7/16"
(See Note 2)

Estimated Weight _____

Door Frame Shape

- Square AccentTrack
 Radius
 Bevel
 Suspended Glass

Underside Door Profile

- None
 Radius (See Note 2)

Door Support

(See Note 3)

- Prop Rod(s)
 Gas Cylinder "Assists" (Qty.3)

Door Locking Device

- 3M "Dual Lock" Fastener (Included)
 Keyed Plunger Lock
 (Required for gas cylinder assists)

Glazing

- Tempered Safety Glass with Graylite #14 Tint
 (See Note 4)

Pedestal

- 2240.2 Single Pedestal (40"h. x 37-1/2"w. Max.)
 2240.3 Double Pedestal (40"h. x 64-1/2"w. Max.)

Pedestal Shape

- Radius (Standard)
 Rectangular

Note 1 Dimensions for determining illuminated area are calculated by subtracting 4-3/8" from both the directory's standard height* and width.

Height _____ - 4-3/8" = _____ Width _____ - 4-3/8" = _____
 (Illuminated Area) (Illuminated Area)

Note 2 When optional Underside Door Profile is selected, Housing depth becomes 6-3/4".

Note 3 All Pedestal doors are top hinged. Doors up to 30 lbs. are equipped with prop rods. Aluminum doors exceeding 8.5 sq.ft. require gas cylinder "assists". Both mechanisms "assist" in opening and supporting door approximately 60° from its closed position.

Note 4

Composite glazing (i.e. Acrylic, Lexan, etc.) is not used. These materials are not as strong as tempered glass, they are more vulnerable to scratches and expansion enhances imperfections in their natural uneven and wavy surfaces.

† NS35 copy length is 2-1/4". Copy height is limited to 1/8" (approximately 23 characters.)

†† NS55 copy length is 4-3/16". Copy height should be specified to fit within this area.

* Standard directory heights are based on available lamp lengths.

Finishes

Door

- Natural Satin Anodized
 313 Dark Bronze Anodized
 315 Black Anodized
 Other _____

Housing

- Natural Satin Anodized
 313 Dark Bronze Anodized
 315 Black Anodized
 Other _____

Housing Underside

- To match housing finish
 Other _____

Pedestal

- Natural Satin (Simulated Polyurethane)
 Dark Bronze (Simulated Polyurethane)
 315 Black (Simulated Polyurethane)
 Other _____

Special Comments

Graphic Configuration

- A With Standard 4" Header
 B Without Header
 C Full Size Display (See Note 1)
 D Combination
 (Include all specifications)

1/2" Message Strip / Qty.

NS-50; 1/2" x 7" / _____

NS-35; 1/2" x 3-1/2" † / _____

No. of Columns _____

1" Message Strip / Qty.

NS-100; 1" x 11" / _____

NS-55; 1" x 5-1/2" †† / _____

No. of Columns _____

Electrical

Voltage

120V, 60Hz (Standard)

277V, 60Hz

Amperage _____

Power Entry

Right / Rear of Pedestal (Standard)

Other _____
 (Show on "Product Details" page)

Lamps

Type _____

Quantity _____

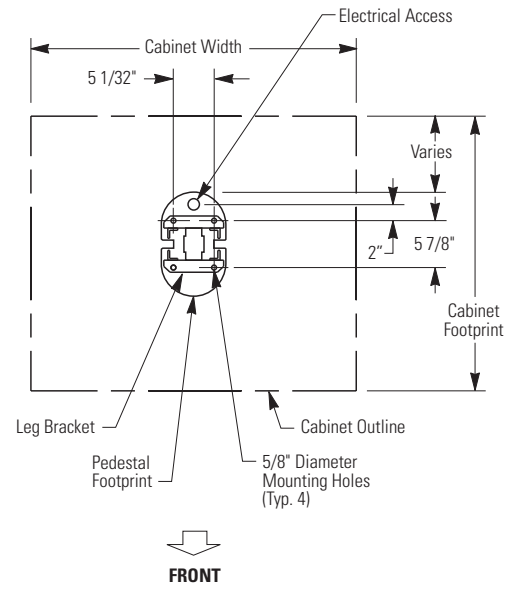
Visulite® 2240.2 & 2240.3 Series Pedestal Mounted Directories



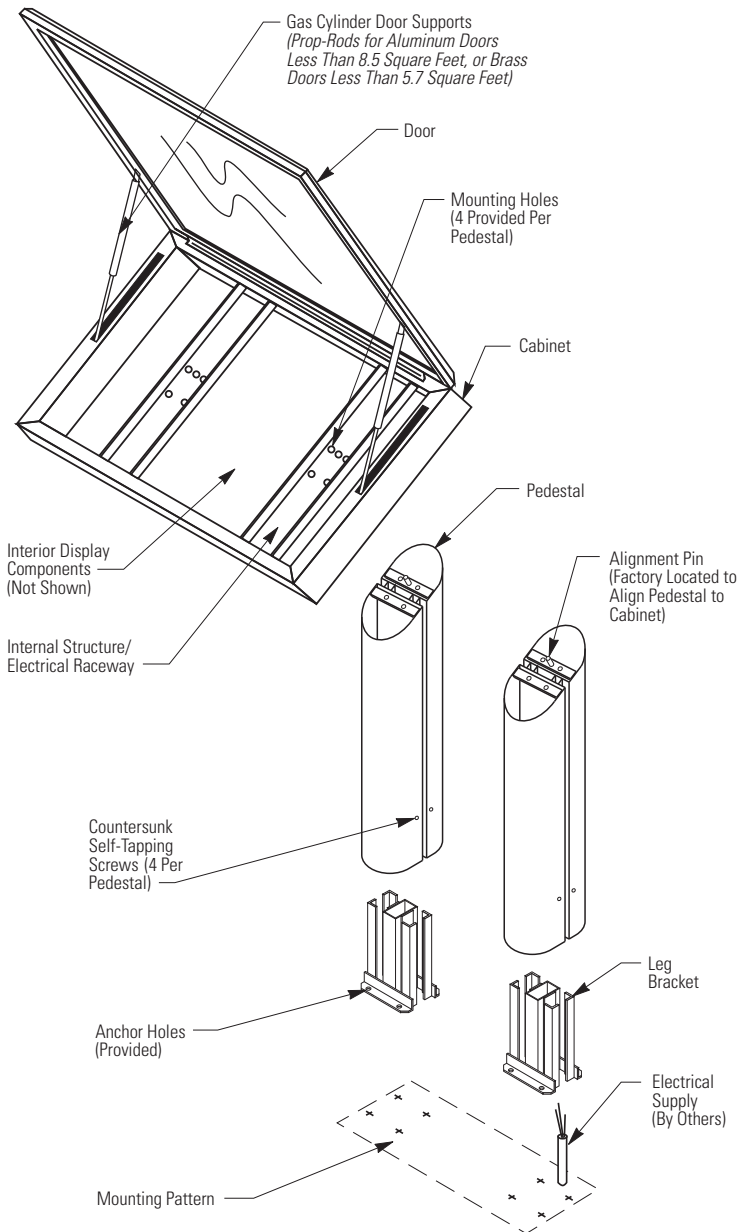
Installation / Mounting Details

IMPORTANT :
APCO IS NOT RESPONSIBLE FOR DESIGN OR CONSTRUCTION OF MOUNTING SURFACE. Adequate structure for mounting directory pedestal(s) must be provided by others.

Mounting Pattern - Single Pedestal



Exploded Isometric View



Anchor Detail

