

# Visulite® 2210.3LP Series Surface Mounted Directory



**SUBMITTED FOR APPROVAL**

This product is scheduled for shipment the week of :

Date \_\_\_\_\_

Production cannot begin until one (1) copy of these drawings is returned with your signature of approval by :

Date \_\_\_\_\_, otherwise rescheduling will be necessary. Drawing revisions may also require rescheduling.

Retain \_\_\_\_\_ Set(s)

Return \_\_\_\_\_ Set(s)

**Customer Approval Required** *(Check appropriate box)*

Purchaser \_\_\_\_\_

By (Print name & title clearly) \_\_\_\_\_

Signature \_\_\_\_\_ Date \_\_\_\_\_

Approved for Production

Approved as noted

Not approved  
Resubmit with changes  
Product subject to rescheduling

**FOR REFERENCE ONLY** *(Customer Waives Approval)*

### Production Has Begun

This product is scheduled for shipment the week of :

Date \_\_\_\_\_

It is understood that customer, in waiving formal approval procedure, assumes full responsibility for the specifications, dimensions and details included herein.

### APCO Use

Project Name \_\_\_\_\_ **APCO Order No.** \_\_\_\_\_

Customer Order No. \_\_\_\_\_

Original Submittal Date : \_\_\_\_\_

Prepared by (Print clearly) \_\_\_\_\_

Revision (Date) \_\_\_\_\_

All design rights reserved.

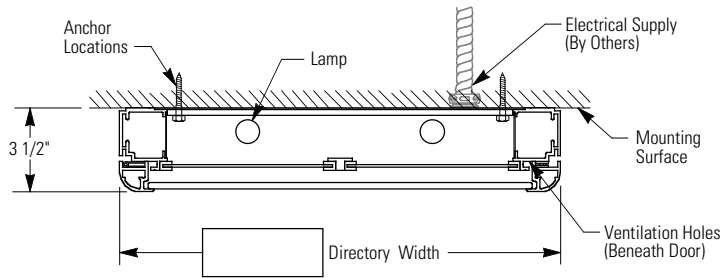
# Visulite® 2210.3LP Series

## Surface Mounted Directory

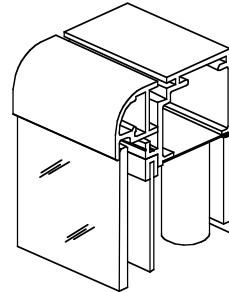


## Product Details

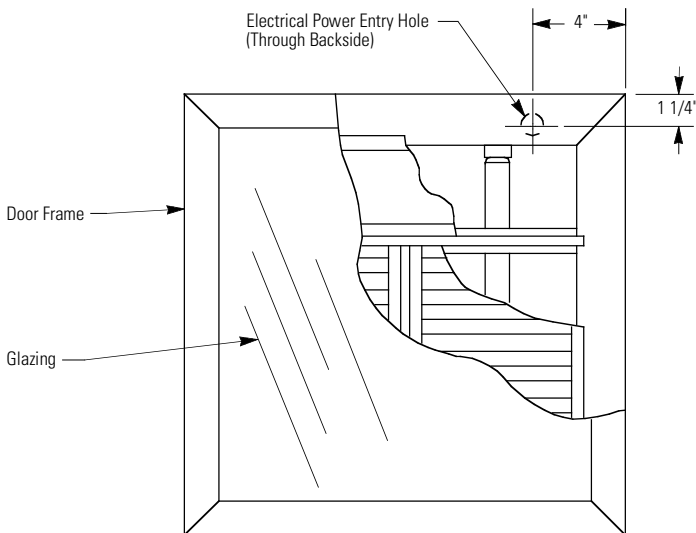
### Section : Plan View



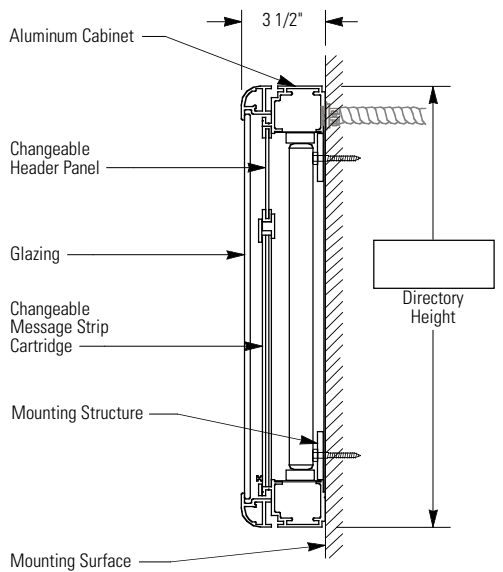
### Cut-away Isometric View



### Elevation : Front View

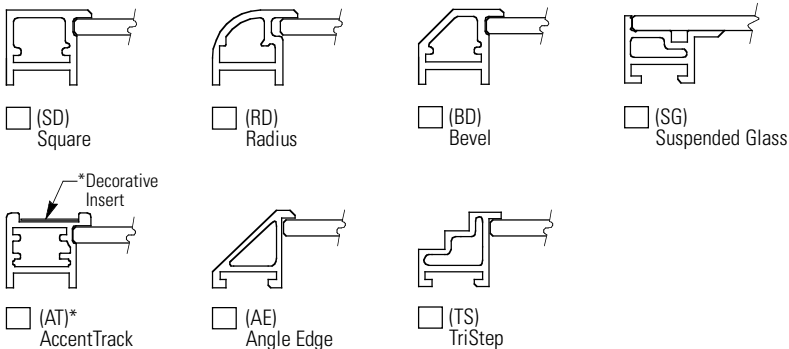


### Section : Side View



### Door Profile Options

All shapes available in aluminum. Brass available in SD, RD & BD only.



\* AccentTrack door accommodates insert materials 1" wide and up to .090" thick, furnished either by APCO or by customer.

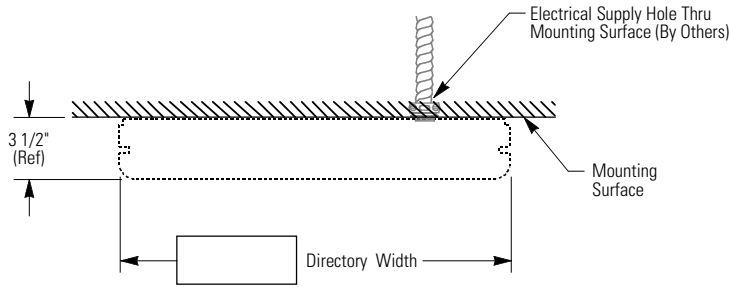


# Visulite® 2210.3LP Series Surface Mounted Directory



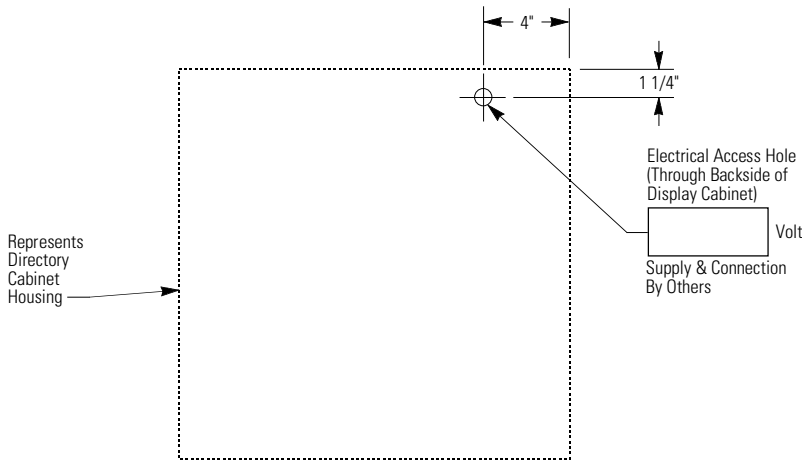
## Installation / Mounting Details

### Section : Plan View



**IMPORTANT :**  
**APCO IS NOT RESPONSIBLE FOR DESIGN OR CONSTRUCTION OF WALL STRUCTURE OR MOUNTING SURFACE.**  
Adequate wall structure for mounting directory must be provided by others.

### Elevation : Front View



### Section : Side View

