

Visulite® 2210.3 Series

Surface Mounted Directory



SUBMITTED FOR APPROVAL

This product is scheduled for shipment the week of :

Date _____

Production cannot begin until one (1) copy of these drawings is returned with your signature of approval by :

Date _____, otherwise rescheduling will be necessary. Drawing revisions may also require rescheduling.

Retain _____ Set(s)

Return _____ Set(s)

Customer Approval Required *(Check appropriate box)*

Purchaser _____

By (Print name & title clearly) _____

Signature _____ Date _____

Approved for Production

Approved as noted

Not approved
Resubmit with changes
Product subject to rescheduling

FOR REFERENCE ONLY *(Customer Waives Approval)*

Production Has Begun

This product is scheduled for shipment the week of :

Date _____

It is understood that customer, in waiving formal approval procedure, assumes full responsibility for the specifications, dimensions and details included herein.

APCO Use

Project Name _____ **APCO Order No.** _____

Customer Order No. _____

Original Submittal Date : _____

Prepared by (Print clearly) _____

Revision (Date) _____

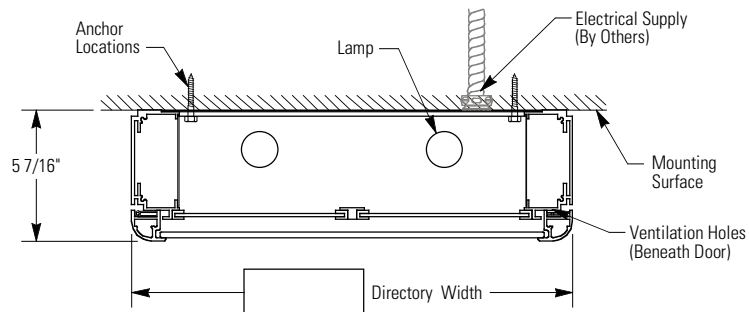
All design rights reserved.

Visulite® 2210.3 Series Surface Mounted Directory

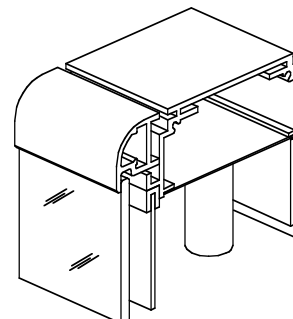


Product Details

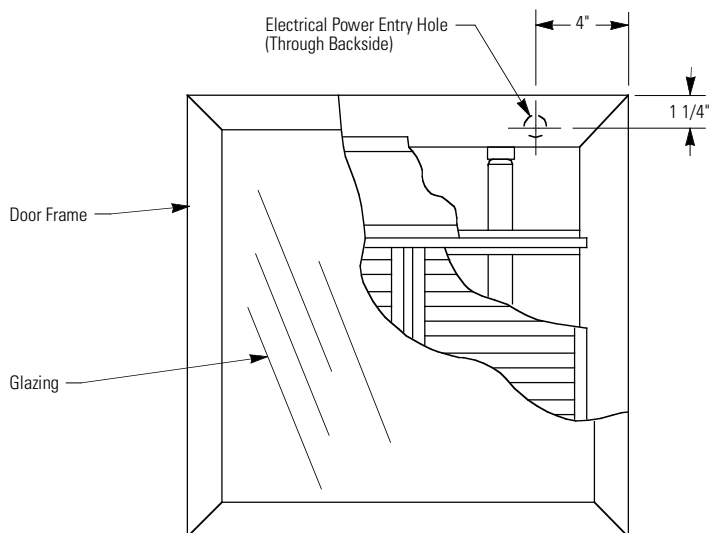
Section : Plan View



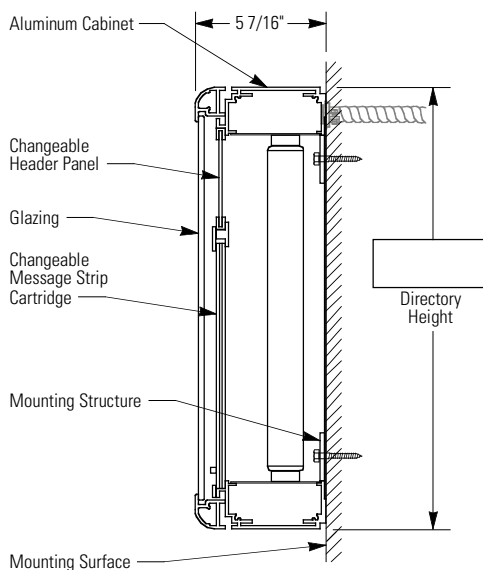
Cut-away Isometric View



Elevation : Front View

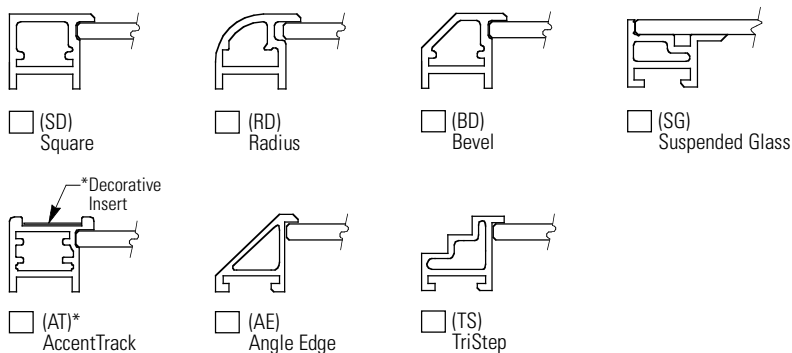


Section : Side View



Door Profile Options

All shapes available in aluminum. Brass available in SD, RD & BD only.



* AccentTrack door accommodates insert materials 1" wide and up to .090" thick, furnished either by APCO or by customer.

Visulite® 2210.3 Series Surface Mounted Directory



Specifications

Product

Size: H.* _____ W. _____ D. 5-7/16"
Estimated Weight _____

Door Frame Shape

- Square
- Radius
- Bevel
- Suspended Glass
- AccentTrack
- AngleEdge
- TriStep

Configuration

- A With Standard 4" Header
- B Without Header
- C Full Size Display (See Note 1)
- D Combination (Include all specifications)

1/2" Message Strip / **Qty.**
 NS-50; 1/2" x 7" / _____
 NS-35; 1/2" x 3-1/2" † / _____
 No. of Columns _____

1" Message Strip / **Qty.**
 NS-100; 1" x 11" / _____
 NS-55; 1" x 5-1/2" †† / _____
 No. of Columns _____

Hinge Location

- Left
- Top
(Opens approx. 60°, 75° or 90°, depending on door size & shape)
- Other _____

Door Locking Device

- 3M "Dual Lock" Fastener (Standard)
- Special "APCO Concealed Lock"
- Keyed Plunger Lock

Glazing

- Tempered Glass - Graylite #14 (Standard)
- Mar-Resistant Lexan (G.E. MR10-7123)

Electrical

Voltage

- 120V, 60Hz (Standard)
- 277V, 60Hz

Amperage _____

Power Entry

- Upper Right Corner Thru Backside (Standard)
- Other _____
(Show on "Product Details" page)

Lamps

Type _____
Quantity _____

Finishes

Door

- Natural Satin Anodized
- 313 Dark Bronze Anodized
- 315 Black Anodized
- Other _____

Housing

- Natural Anodized
- 313 Dark Bronze Anodized
- 315 Black Anodized
- Other _____

Special Comments

Note 1

Dimensions for determining illuminated area are calculated by subtracting 4-3/8" from both the directory's standard height* and width.

Height _____ - 4-3/8" = _____ *(Illuminated Area)* Width _____ - 4-3/8" = _____ *(Illuminated Area)*

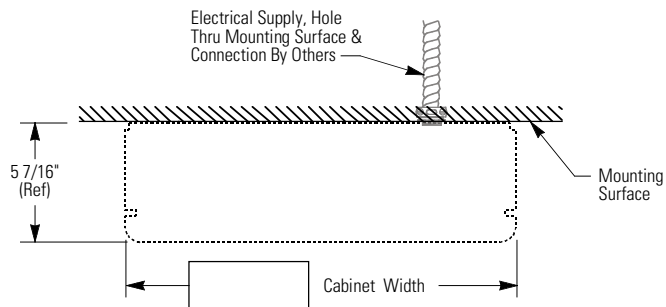
† NS35 copy length is 2-1/4". Copy height is limited to 1/8" (approximately 23 characters.)
 †† NS55 copy length is 4-3/16". Copy height should be specified to fit within this area.
 * Standard directory heights are based on available lamp lengths.

Visulite® 2210.3 Series Surface Mounted Directory



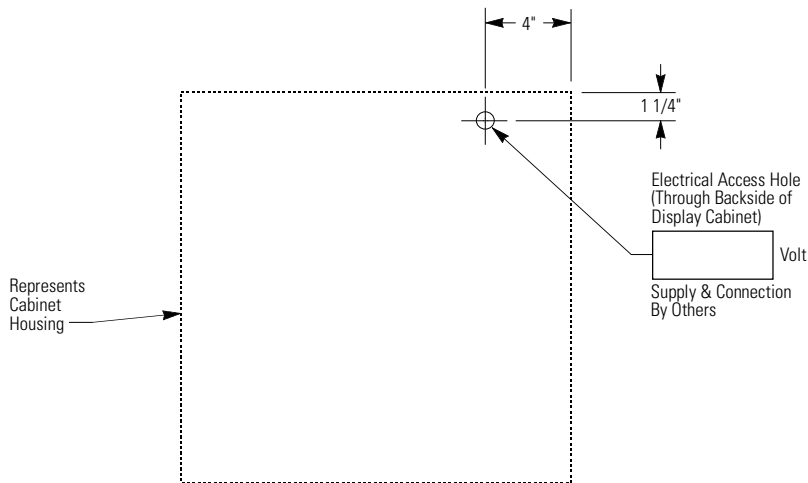
Installation / Mounting Details

Section : Plan View



IMPORTANT :
APCO IS NOT RESPONSIBLE FOR DESIGN OR CONSTRUCTION OF WALL STRUCTURE OR MOUNTING SURFACE.
Adequate wall structure for mounting directory must be provided by others.

Elevation : Front View



Section : Side View

