

Visulite® 2210.2 Series

Full Recessed Directory - Floating Glass



SUBMITTED FOR APPROVAL

This product is scheduled for shipment the week of :

Date _____

Production cannot begin until one (1) copy of these drawings is returned with your signature of approval by :

Date _____, otherwise rescheduling will be necessary. Drawing revisions may also require rescheduling.

Retain _____ Set(s)

Return _____ Set(s)

Customer Approval Required *(Check appropriate box)*

Purchaser _____

By (Print name & title clearly) _____

Signature _____ Date _____

Approved for Production

Approved as noted

Not approved
Resubmit with changes
Product subject to rescheduling

FOR REFERENCE ONLY *(Customer Waives Approval)*

Production Has Begun

This product is scheduled for shipment the week of :

Date _____

It is understood that customer, in waiving formal approval procedure, assumes full responsibility for the specifications, dimensions and details included herein.

APCO Use

Project Name _____ **APCO Order No.** _____

Customer Order No. _____

Original Submittal Date : _____

Prepared by (Print clearly) _____

Revision (Date) _____

All design rights reserved.

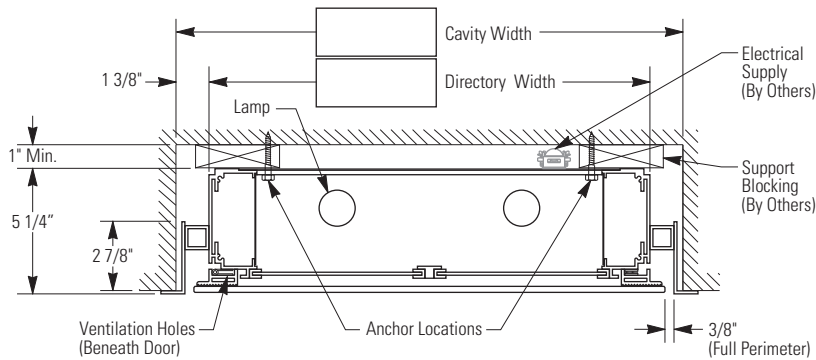
Visulite® 2210.2 Series

Full Recessed Directory - Floating Glass

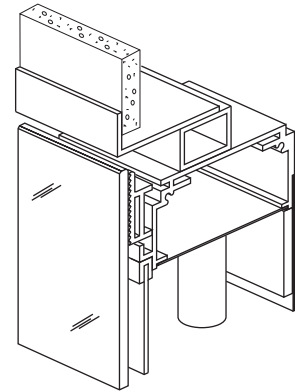


Product Details

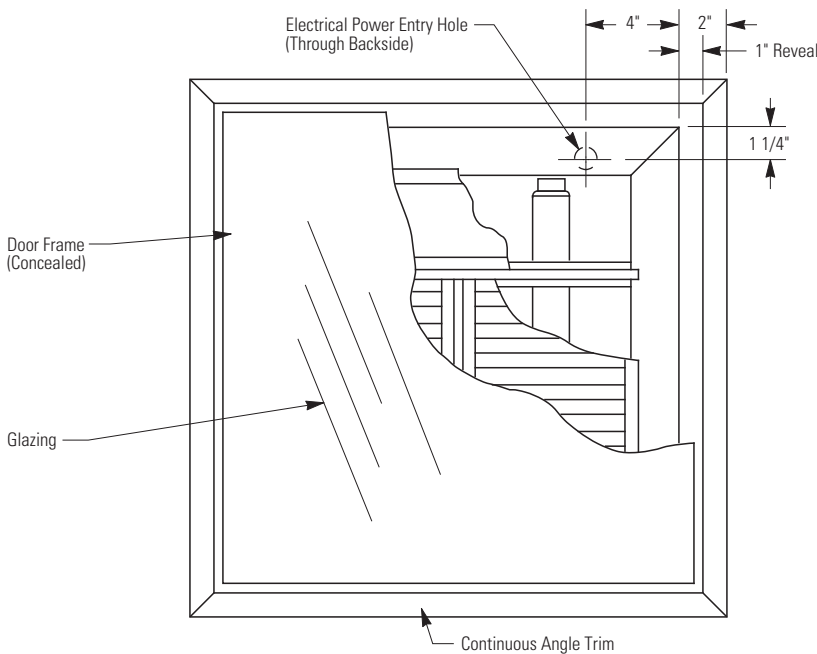
Section : Plan View



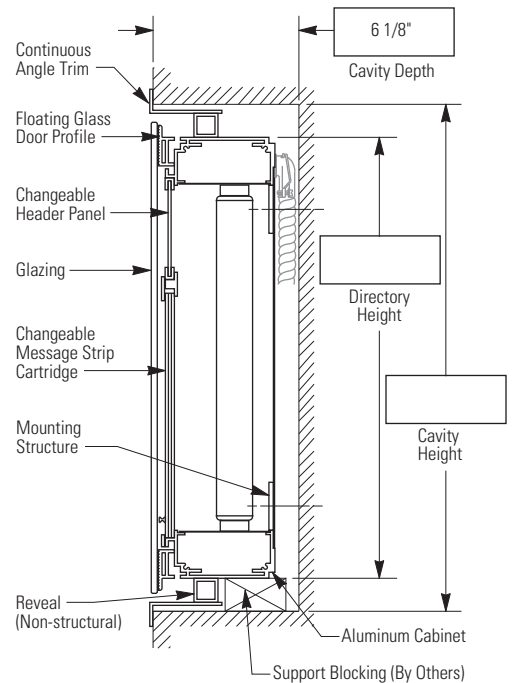
Cut-away Isometric View



Elevation : Front View

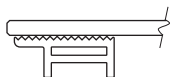


Section : Side View



Door Profile

Extruded aluminum Floating Glass profile is available in 315 black anodized finish only.

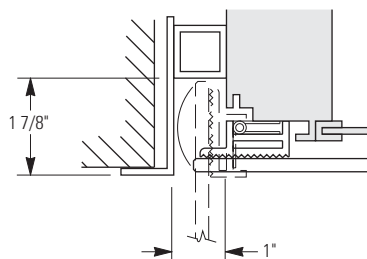


□ (FG)
Floating Glass

Specifications for other available Door Profiles are illustrated on separate Shop Drawing 2210.2 Full Recessed.

Door Operating Clearance

A 1" wide Reveal (tube) is attached to the cabinet at a 1-7/8" depth to maintain proper door operation. A decorative, non-structural trim is then attached to the tube.



IMPORTANT :
Because the Floating Glass Directory has a Frameless Door, the glass edges are exposed and are subject to damage if the directory is not mounted within a fully recessed cavity - either vertically within a wall or at an angle within a console.

See "Installation / Mounting Details" page to determine Cavity Dimensions.

Visulite® 2210.2 Series

Full Recessed Directory - Floating Glass



Specifications

Product

Size: H.* _____ W. _____ D. 5-1/4"
 Estimated Weight _____

Cavity Opening Size

(See Note 1)

- Existing Cavity
- To Be Constructed

Size: H. _____ W. _____ D. 6-1/8"

Door Frame Shape

- Floating Glass

Use separate Shop Drawing for all other door shapes

Configuration

- A With Standard 4" Header
- B Without Header
- C Full Size Display (See Note 2)
- D Combination
(Include all specifications)

1/2" Message Strip

/ Qty.

- NS-50; 1/2" x 7" / _____
- NS-35; 1/2" x 3-1/2" † / _____

No. of Columns _____

1" Message Strip

/ Qty.

- NS-100; 1" x 11" / _____
- NS-55; 1" x 5-1/2" †† / _____

No. of Columns _____

Hinge Location

- Left
- Top
(Opens approx. 60°, 75° or 90°,
depending on door size)
- Other _____

Door Locking Device

- 3M "Dual Lock" Fastener (Included)
(Reveal space is limited to this method only)

Glazing

- Tempered Safety Glass with Graylite #14 Tint
(See Note 3)

Continuous Angle / Trim

(See Note 1)

- 1" Wide Angle (Standard)
- 1/8" Wide "Flat Bar" Trim
- Omit Angle / Trim (1" Reveal Remains)
- Other _____

Electrical

Voltage

- 120V, 60Hz (Standard)
- 277V, 60Hz

Amperage _____

Power Entry

- Upper Right Corner Thru Backside (Standard)
- Other _____
(Show on "Product Details" page)

Lamps

Type _____
 Quantity _____

Finishes

Housing

- 315 Black Anodized (Standard)
- Other _____

Reveal

- 315 Black Anodized (Standard)
- Other _____

Continuous Angle / Trim

(See Note 1)

- Natural Satin Anodized
- 313 Dark Bronze Anodized
- 315 Black Anodized
- Other _____

Special Comments

Note 1

Wall cavity size is determined by adding cabinet housing, surrounding reveal, trim and installation clearance. Trim styles and cavity opening calculations for each are illustrated on "Installation / Mounting Details" page.

Note 2

Dimensions for determining illuminated area are calculated by subtracting 4-3/8" from both the directory's standard height* and width.

Height _____ - 4-3/8" = _____ Width _____ - 4-3/8" = _____
 (Illuminated Area) (Illuminated Area)

Note 3

Composite glazing (i.e. Acrylic, Lexan, etc.) is not used. These materials are not as strong as tempered glass, they are more vulnerable to scratches and expansion enhances imperfections in their natural uneven and wavy surfaces.

† NS35 copy length is 2-1/4". Copy height is limited to 1/8" (approximately 23 characters.)

†† NS55 copy length is 4-3/16". Copy height should be specified to fit within this area.

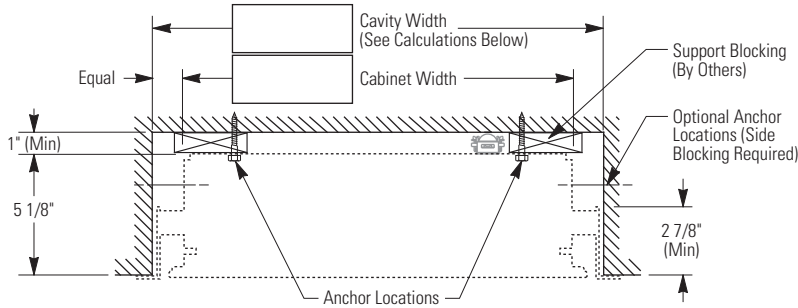
* Standard directory heights are based on available lamp lengths.

Visulite® 2210.2 Series Full Recessed Directory - Floating Glass



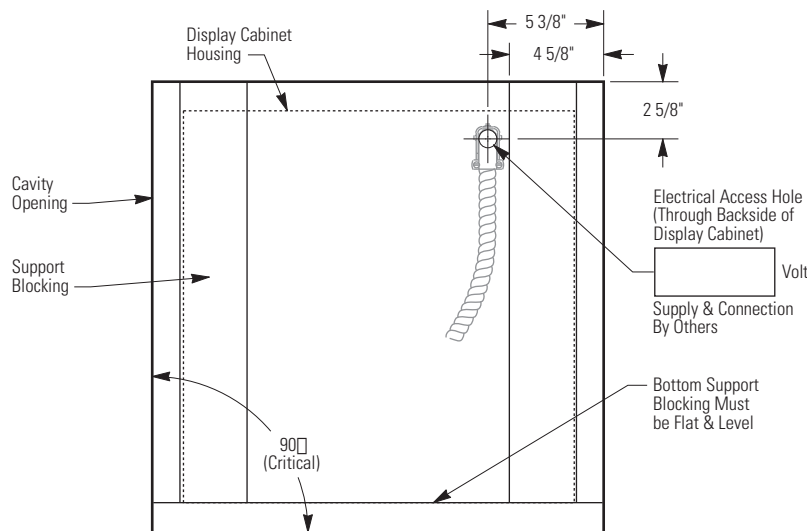
Installation / Mounting Details

Section : Plan View

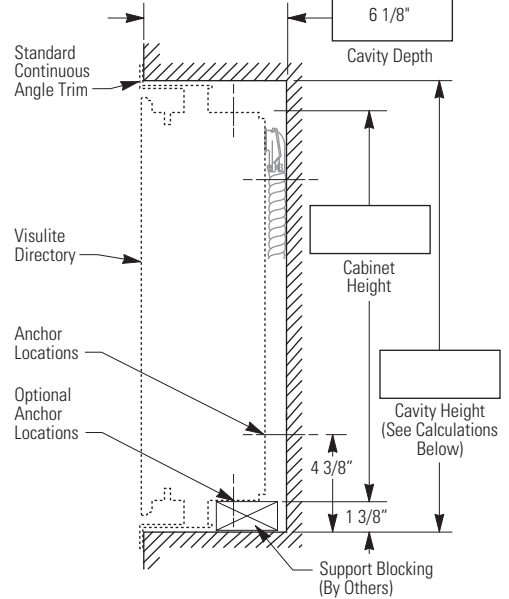


IMPORTANT :
APCO IS NOT RESPONSIBLE FOR CAVITY CONSTRUCTION WHICH VARIES FROM SPECIFICATIONS SHOWN ON THIS PAGE. Wall cavity opening must be precisely constructed in terms of size, squareness and depth. Size calculations and cavity opening tolerances are shown below for each trim style.

Elevation : Front View



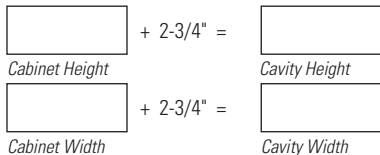
Section : Side View



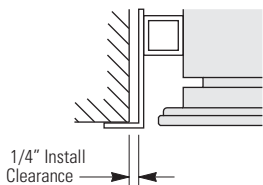
Cavity Size : Standard

Continuous Angle

The Continuous Angle is recommended to conceal rough cut openings while allowing for inconsistencies in cavity size. It also helps to avoid obstruction of the reveal area which is required for proper door operation. To determine cavity opening, add 2-3/4" to both the cabinet's height and width.



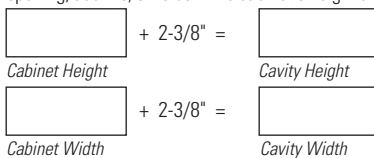
These calculations include a 1" Reveal, 1/8" thick Continuous Angle and 1/2" total installation clearance.
Overall cavity tolerance is +/- 1/8".



Cavity Size : Optional

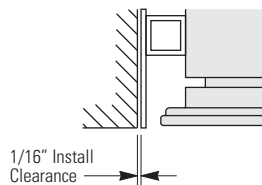
"Flat Bar" Trim

A 1/8" wide "Flat Bar" can be substituted when the 1" wide Continuous Angle is not desired. To determine cavity opening, add 2-3/8" to both the cabinet's height and width.



These calculations include a 1" Reveal, 1/8" thick Flat Bar and 1/8" total installation clearance.

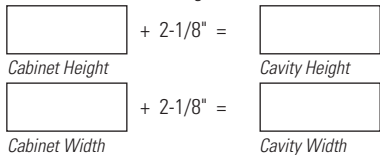
Overall cavity tolerance is +1/8", minus 0".



Cavity Size : Optional

Angle / Trim Omitted

When cavity space is a factor, the surrounding trim can be eliminated to obtain the largest directory/cavity combination. The 1" reveal remains to maintain proper door operation. To determine cavity opening, add 2-1/8" to both the cabinet's height and width.



These calculations include a 1" Reveal and 1/8" total installation clearance.

Overall cavity tolerance is +1/8", minus 0".

