

# Visulite® 2210.1LP Series

## Semi-Recessed Directory



### SUBMITTED FOR APPROVAL

This product is scheduled for shipment the week of :

Date \_\_\_\_\_

Production cannot begin until one (1) copy of these drawings is returned with your signature of approval by :

Date \_\_\_\_\_, otherwise rescheduling will be necessary. Drawing revisions may also require rescheduling.

Retain \_\_\_\_\_ Set(s)

Return \_\_\_\_\_ Set(s)

### Customer Approval Required *(Check appropriate box)*

Purchaser \_\_\_\_\_

By (Print name & title clearly) \_\_\_\_\_

Signature \_\_\_\_\_ Date \_\_\_\_\_

Approved for Production

Approved as noted

Not approved  
Resubmit with changes  
Product subject to rescheduling

### FOR REFERENCE ONLY *(Customer Waives Approval)*

#### Production Has Begun

This product is scheduled for shipment the week of :

Date \_\_\_\_\_

It is understood that customer, in waiving formal approval procedure, assumes full responsibility for the specifications, dimensions and details included herein.

#### APCO Use

Project Name \_\_\_\_\_ **APCO Order No.** \_\_\_\_\_

Customer Order No. \_\_\_\_\_

Original Submittal Date : \_\_\_\_\_

Prepared by (Print clearly) \_\_\_\_\_

Revision (Date) \_\_\_\_\_

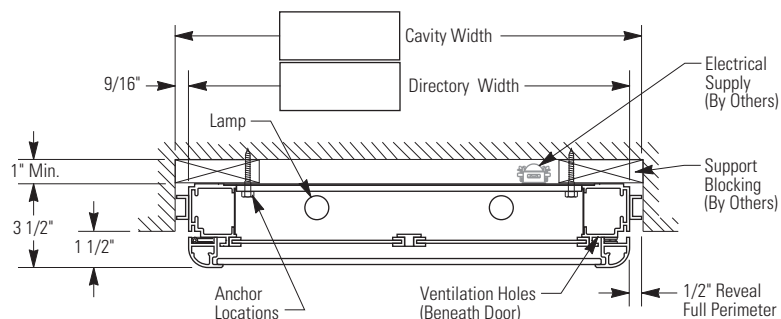
All design rights reserved.

# Visulite® 2210.1LP Series Semi-Recessed Directory

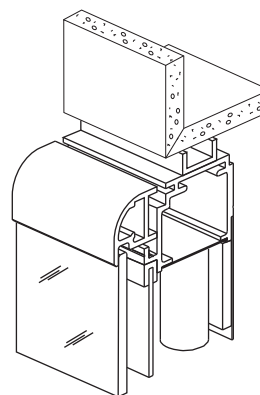


## Product Details

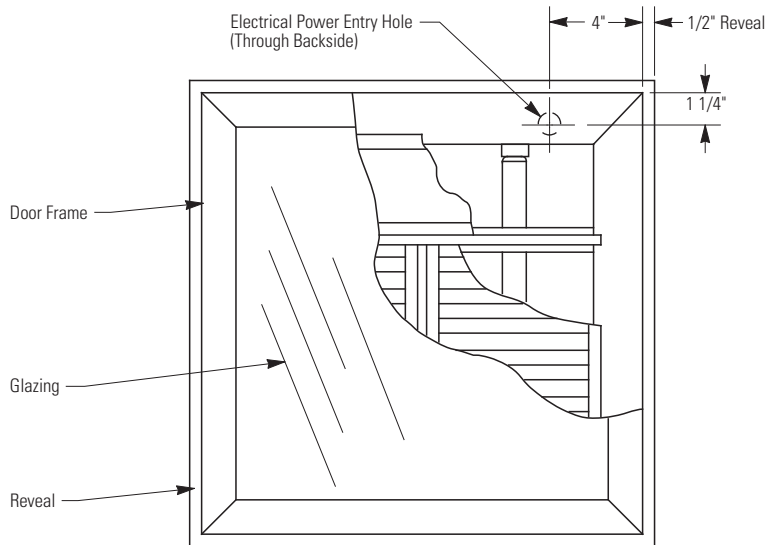
### Section : Plan View



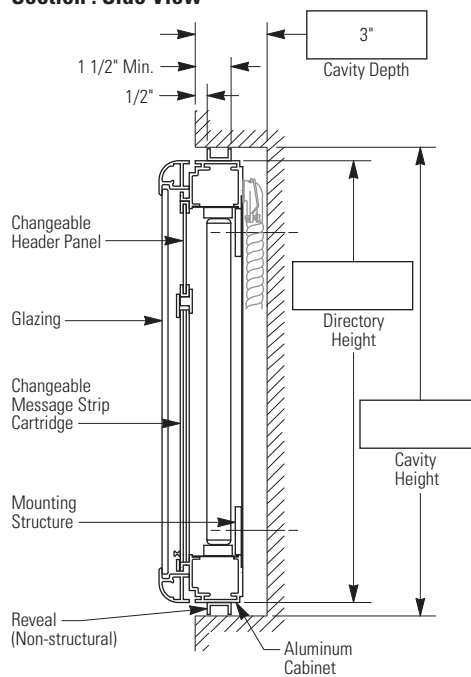
### Cut-away Isometric View



### Elevation : Front View

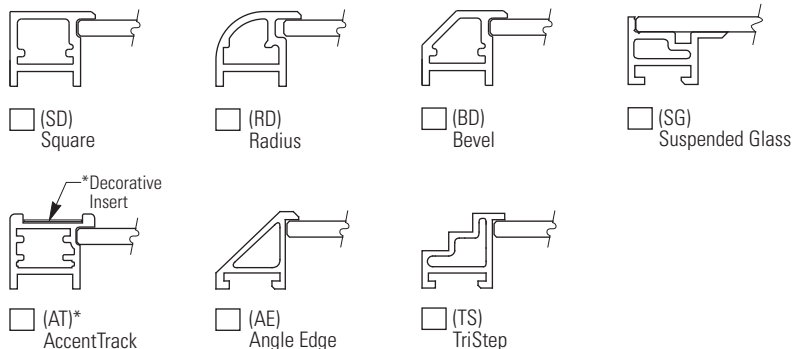


### Section : Side View



### Door Profile Options

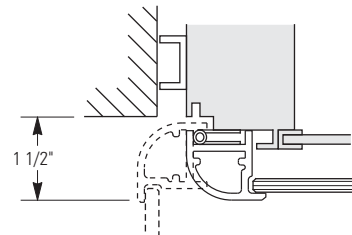
All shapes available in aluminum. Brass available in SD, RD & BD only.



\* AccentTrack door accommodates insert materials 1" wide and up to .090" thick, furnished either by APCO or by customer.

### Door Operating Clearance

Front face of directory must protrude a minimum 1-1/2" from surrounding surface for door to fully open. Any variation may require factory changes.



**IMPORTANT :**  
See "Installation / Mounting Details" page to determine Cavity Dimensions.

# Visulite® 2210.1LP Series

## Semi-Recessed Directory



## Specifications

### Product

Size: H.\* \_\_\_\_\_ W. \_\_\_\_\_ D. 3-1/2"  
 Estimated Weight \_\_\_\_\_

### Cavity Opening Size

(See Note 1)

- Existing Cavity  
 To Be Constructed

Size: H. \_\_\_\_\_ W. \_\_\_\_\_ D. \_\_\_\_\_

### Door Frame Shape

- Square  AccentTrack  
 Radius  AngleEdge  
 Bevel  TriStep  
 Suspended Glass

### Configuration

- A With Standard 4" Header  
 B Without Header  
 C Full Size Display (See Note 2)  
 D Combination  
 (Include all specifications)

### 1/2" Message Strip / Qty.

- NS-50; 1/2" x 7" / \_\_\_\_\_  
 NS-35; 1/2" x 3-1/2" † / \_\_\_\_\_

No. of Columns \_\_\_\_\_

### 1" Message Strip / Qty.

- NS-100; 1" x 11" / \_\_\_\_\_  
 NS-55; 1" x 5-1/2" †† / \_\_\_\_\_

No. of Columns \_\_\_\_\_

### Hinge Location

- Left  
 Top  
 (Opens approx. 60°, 75° or 90°,  
 depending on door size & shape)  
 Other \_\_\_\_\_

### Door Locking Device

- 3M "Dual Lock" Fastener (Standard)  
 Special "APCO Concealed Lock"

### Glazing

- Tempered Glass - Graylite #14 (Standard)  
 Mar-Resistant Lexan (G.E. MR10-7123)

### Electrical

#### Voltage

- 120V, 60Hz (Standard)  
 277V, 60Hz

Amperage \_\_\_\_\_

#### Power Entry

- Upper Right Corner Thru Backside (Standard)  
 Other \_\_\_\_\_  
 (Show on "Product Details" page)

#### Lamps

Type \_\_\_\_\_

Quantity \_\_\_\_\_

### Finishes

#### Door

- Natural Satin Anodized  
 313 Dark Bronze Anodized  
 315 Black Anodized  
 Other \_\_\_\_\_

#### Housing

- Natural Satin Anodized  
 313 Dark Bronze Anodized  
 315 Black Anodized  
 Other \_\_\_\_\_

#### Reveal

- Natural Satin Anodized  
 313 Dark Bronze Anodized  
 315 Black Anodized  
 Other \_\_\_\_\_

### Special Comments

---



---



---



---



---



---



---

#### Note 1

Wall cavity size is determined by adding cabinet housing, surrounding reveal and installation clearance. Cavity opening calculations for a standard 1/2" wide reveal is illustrated on "Installation / Mounting Details" page.

#### Note 2

Dimensions for determining illuminated area are calculated by subtracting 4-3/8" from both the directory's standard height\* and width.

Height \_\_\_\_\_ - 4-3/8" = \_\_\_\_\_ Width \_\_\_\_\_ - 4-3/8" = \_\_\_\_\_  
 (Illuminated Area) (Illuminated Area)

† NS35 copy length is 2-1/4". Copy height is limited to 1/8" (approximately 23 characters.)

†† NS55 copy length is 4-3/16". Copy height should be specified to fit within this area.

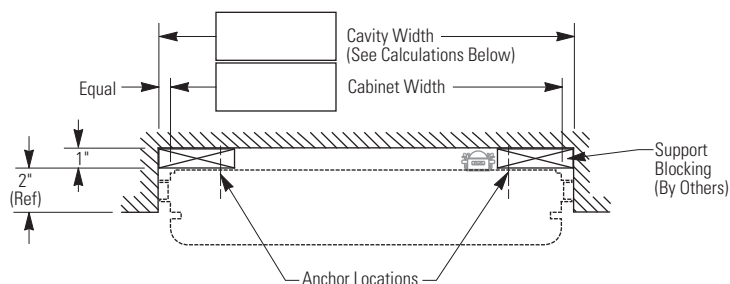
\* Standard directory heights are based on available lamp lengths.

# Visulite® 2210.1LP Series Semi-Recessed Directory



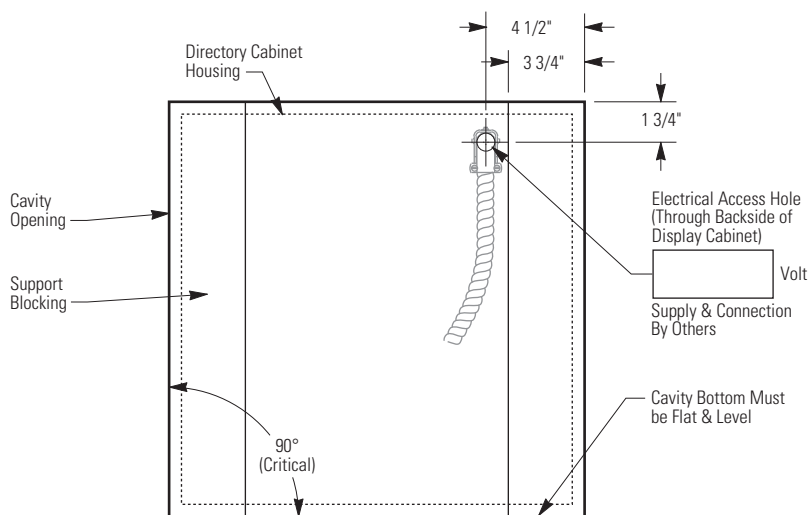
## Installation / Mounting Details

### Section : Plan View

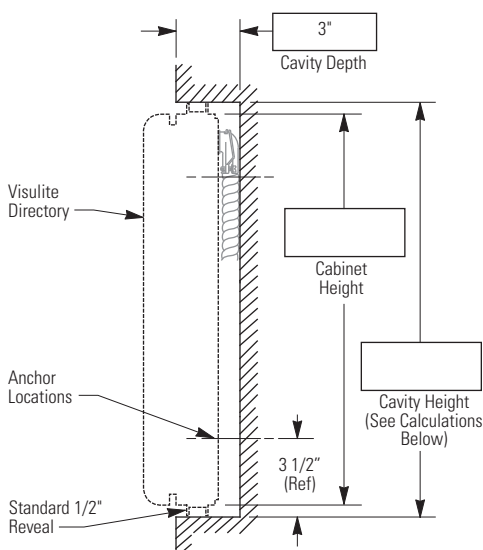


**IMPORTANT :**  
**APCO IS NOT RESPONSIBLE FOR CAVITY CONSTRUCTION WHICH VARIES FROM SPECIFICATIONS SHOWN ON THIS PAGE.**  
**Cavity opening size must be precisely constructed in terms of both size and squareness. Size calculations and cavity opening tolerances are shown below.**

### Elevation : Front View



### Section : Side View



### Cavity Size : Standard

#### 1/2" Reveal

A standard 1/2" perimeter Reveal is provided to offset the variance between the cabinet housing and the cavity. To determine cavity opening, add 1-1/8" to both the cabinet's height and width.

$$\boxed{\text{Cabinet Height}} + 1-1/8" = \boxed{\text{Cavity Height}}$$

$$\boxed{\text{Cabinet Width}} + 1-1/8" = \boxed{\text{Cavity Width}}$$

These calculations include a 1/2" Reveal and 1/16" installation clearance around full perimeter.

**Overall cavity tolerance is +1/8", minus 0".**

