

# Visulite® 2210.1 Series Semi-Recessed Directory



## SUBMITTED FOR APPROVAL

This product is scheduled for shipment the week of :

Date \_\_\_\_\_

Production cannot begin until one (1) copy of these drawings is returned with your signature of approval by :

Date \_\_\_\_\_, otherwise rescheduling will be necessary. Drawing revisions may also require rescheduling.

Retain \_\_\_\_\_ Set(s)

Return \_\_\_\_\_ Set(s)

## Customer Approval Required *(Check appropriate box)*

Purchaser \_\_\_\_\_

By (Print name & title clearly) \_\_\_\_\_

Signature \_\_\_\_\_ Date \_\_\_\_\_

Approved for Production

Approved as noted

Not approved  
Resubmit with changes  
Product subject to rescheduling

## FOR REFERENCE ONLY *(Customer Waives Approval)*

### Production Has Begun

This product is scheduled for shipment the week of :

Date \_\_\_\_\_

It is understood that customer, in waiving formal approval procedure, assumes full responsibility for the specifications, dimensions and details included herein.

## APCO Use

Project Name \_\_\_\_\_ **APCO Order No.** \_\_\_\_\_

Customer Order No. \_\_\_\_\_

Original Submittal Date : \_\_\_\_\_

Prepared by (Print clearly) \_\_\_\_\_

Revision (Date) \_\_\_\_\_

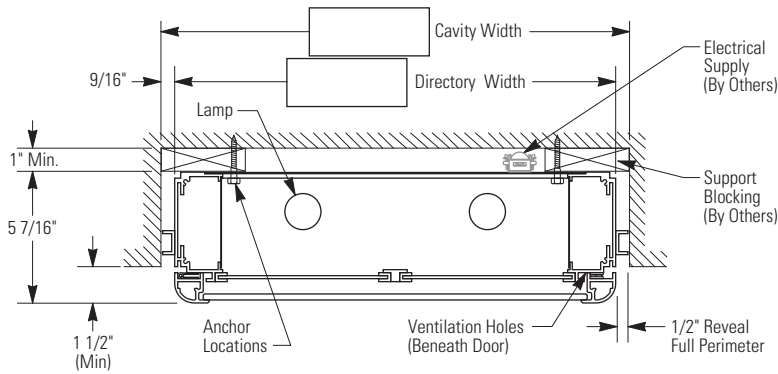
All design rights reserved.

# Visulite® 2210.1 Series Semi-Recessed Directory

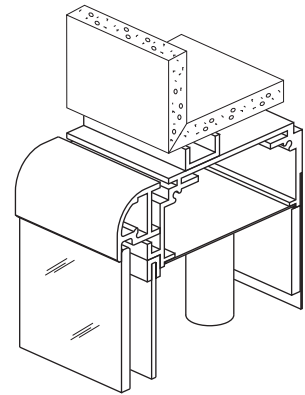


## Product Details

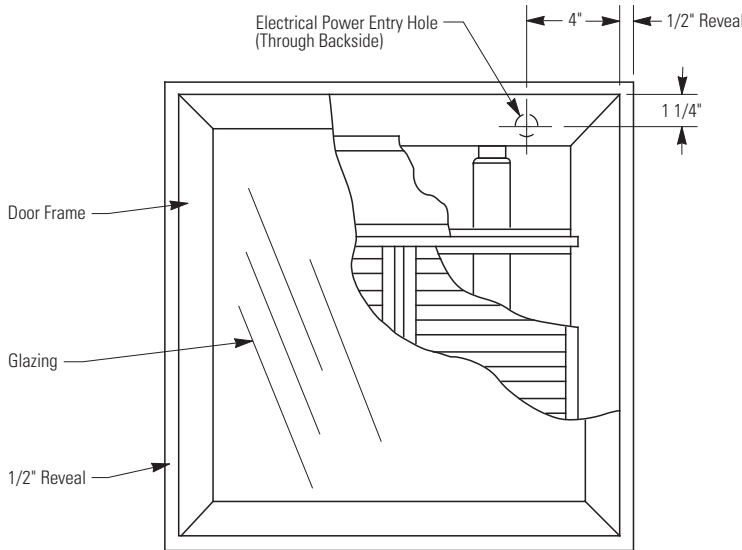
### Section : Plan View



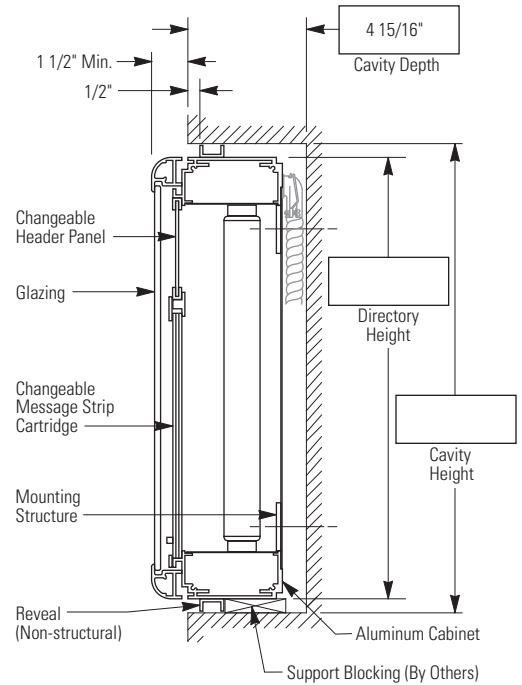
### Cut-away Isometric View



### Elevation : Front View

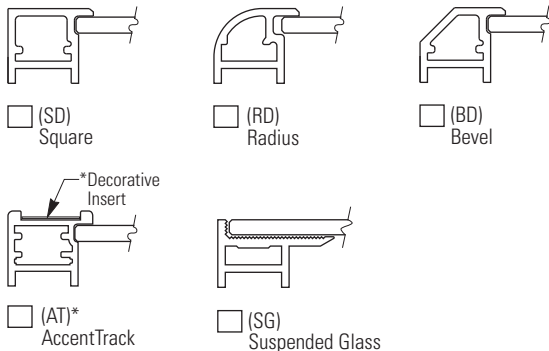


### Section : Side View



### Door Profile Options

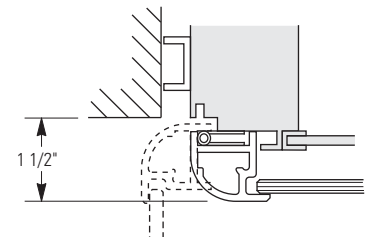
All shapes available in aluminum.



\* AccentTrack door accommodates insert materials 1" wide and up to .090" thick, furnished either by APCO or by customer.

### Door Operating Clearance

Front face of directory must protrude a minimum 1-1/2" from surrounding surface for door to fully open. Any variation may require factory changes.



**IMPORTANT :**  
See "Installation / Mounting Details" page to determine Cavity Dimensions.

# Visulite® 2210.1 Series Semi-Recessed Directory



## Specifications

### Product

Size: H.\* \_\_\_\_\_ W. \_\_\_\_\_ D. 5-7/16"  
 Estimated Weight \_\_\_\_\_

### Cavity Opening Size

(See Note 1)

- Existing Cavity
- To Be Constructed

Size: H. \_\_\_\_\_ W. \_\_\_\_\_ D. \_\_\_\_\_

### Door Frame Shape

- Square  AccentTrack
- Radius
- Bevel
- Suspended Glass

### Configuration

- A With Standard 4" Header
- B Without Header
- C Full Size Display (See Note 2)
- D Combination (Include all specifications)

### 1/2" Message Strip / Qty.

- NS-50; 1/2" x 7" / \_\_\_\_\_
- NS-35; 1/2" x 3-1/2" † / \_\_\_\_\_

No. of Columns \_\_\_\_\_

### 1" Message Strip / Qty.

- NS-100; 1" x 11" / \_\_\_\_\_
- NS-55; 1" x 5-1/2" †† / \_\_\_\_\_

No. of Columns \_\_\_\_\_

### Hinge Location

- Left
- Top (Opens approx. 60°, 75° or 90°, depending on door size & shape)
- Other \_\_\_\_\_

### Door Locking Device

- 3M "Dual Lock" Fastener (Standard)

### Glazing

- Tempered Safety Glass with Graylite #14 Tint (See Note 3)

### Electrical

#### Voltage

120V, 60Hz (Standard)

277V, 60Hz

Amperage \_\_\_\_\_

#### Power Entry

Upper Right Corner Thru Backside (Standard)

Other \_\_\_\_\_  
 (Show on "Product Details" page)

#### Lamps

Type \_\_\_\_\_

Quantity \_\_\_\_\_

### Finishes

#### Door

Natural Satin Anodized

313 Dark Bronze Anodized

315 Black Anodized

Other \_\_\_\_\_

#### Housing

Natural Satin Anodized

313 Dark Bronze Anodized

315 Black Anodized

Other \_\_\_\_\_

#### Reveal

Natural Satin Anodized

313 Dark Bronze Anodized

315 Black Anodized

Other \_\_\_\_\_

### Special Comments

---



---



---



---



---



---

#### Note 1

Wall cavity size is determined by adding cabinet housing, surrounding reveal and installation clearance. Cavity opening calculations for a standard 1/2" wide reveal is illustrated on "Installation / Mounting Details" page.

#### Note 2

Dimensions for determining illuminated area are calculated by subtracting 4-3/8" from both the directory's standard height\* and width.

Height \_\_\_\_\_ - 4-3/8" = \_\_\_\_\_ (Illuminated Area)      Width \_\_\_\_\_ - 4-3/8" = \_\_\_\_\_ (Illuminated Area)

#### Note 3

Composite glazing (i.e. Acrylic, Lexan, etc.) is not used. These materials are not as strong as tempered glass, they are more vulnerable to scratches and expansion enhances imperfections in their natural uneven and wavy surfaces.

† NS35 copy length is 2-1/4". Copy height is limited to 1/8" (approximately 23 characters.)

†† NS55 copy length is 4-3/16". Copy height should be specified to fit within this area.

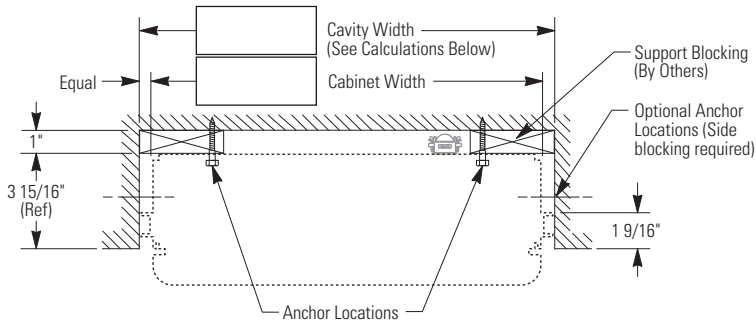
\* Standard directory heights are based on available lamp lengths.

# Visulite® 2210.1 Series Semi-Recessed Directory



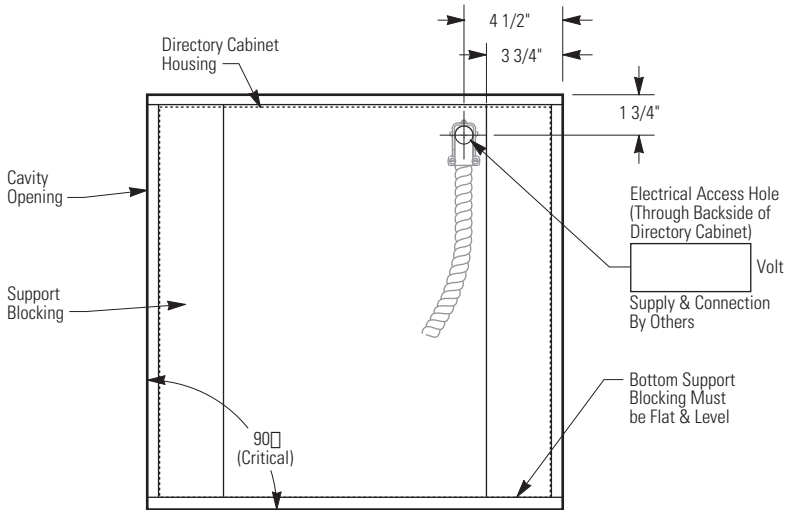
## Installation / Mounting Details

### Section : Plan View

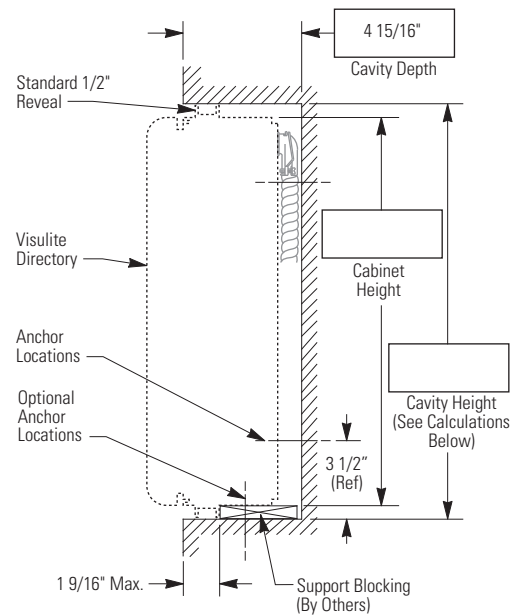


**IMPORTANT :**  
APCO IS NOT RESPONSIBLE FOR CAVITY CONSTRUCTION WHICH VARIES FROM SPECIFICATIONS SHOWN ON THIS PAGE. Wall cavity opening must be precisely constructed in terms of size, squareness and depth. Size calculations and cavity opening tolerances are shown below.

### Elevation : Front View



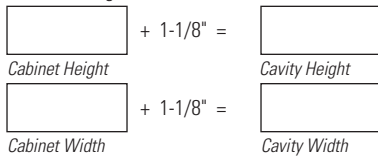
### Section : Side View



### Cavity Size : Standard

#### 1/2" Reveal

A standard 1/2" perimeter Reveal is provided to offset the variance between the cabinet housing and the cavity. To determine cavity opening, add 1-1/8" to both the cabinet's height and width.



These calculations include a 1/2" Reveal and 1/16" installation clearance around full perimeter.

**Overall cavity tolerance is +1/8", minus 0".**

