



1



2



3

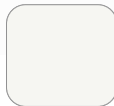


4

**Housing Colors**



02 Black\*



72 Bone White\*



43 Putty\*



44 Architectural Brown\*



Natural Satin Anodized

\*Note: Contour Housing is only available in Natural Satin anodized Finish.

**Fabric Colors**



179 Mintless



194 Sulphur Grey

The award winning **Visulex** design is the basis for this low profile aluminum cabinet, which houses either a textured fabric bulletin board (**Visulex 40**) or changeable strips, which are available in paper or injection molded plastic (**Visulex 40 Express**). A lift-out acrylic cover and choice of edge shapes give the Visulex 40 a refreshing clean look, unlike the traditional "framed door" look of other enclosed bulletin boards and directories.

**Other Features & Benefits**

- Variety of standard sizes & finishes
- Quick delivery time available on standard sizes and finishes
- Two (2) fabric colors available for bulletin board (Customer may also provide own material.)
- Molded Message Strips for directory available in one (1) integral color. Painted colors also available.
- User-lettered paper insert option available\* for directory
- Header and base graphics available

\* SignWord Pro compatible (download at [www.apcosigns.com](http://www.apcosigns.com))

**Applications**

*Bulletin Board*

- Employee information stations
- Employee recognition boards
- Announcements

*Directory*

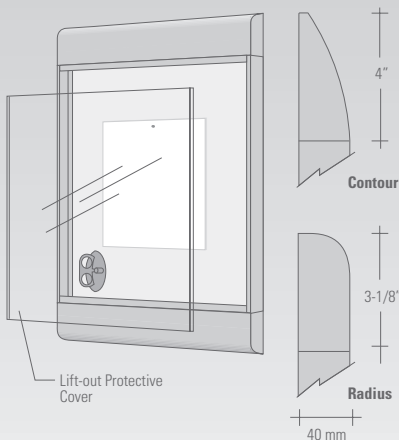
- Lobby Directories
- Floor & Wing Directories

**Ideal For**

Schools/Universities, Hospitals/Medical Facilities, Corporate Office Buildings

1. Bulletin Board w/ Radius Cabinet. 2. Two-Column Directory Featuring Color Band Message Strips and Contour Cabinet. 3. Removable Column of Color Band Message Strips. 4. Clear Band Message Strips House Laser Printed Inserts.

**Exploded View**



**Visulex 40 Bulletin Board Sizes** Height x width in inches

| Product Code | Overall Size*      | Display Area |
|--------------|--------------------|--------------|
| V40-2424-FB  | 30-3/8" x 24-7/16" | 24" x 24"    |
| V40-2436-FB  | 30-3/8" x 36-7/16" | 24" x 36"    |
| V40-2448-FB  | 30-3/8" x 48-7/16" | 24" x 48"    |
| V40-2460-FB  | 30-3/8" x 60-7/16" | 24" x 60"    |
| V40-2472-FB  | 30-3/8" x 72-7/16" | 24" x 72"    |
| V40-3624-FB  | 42-3/8" x 24-7/16" | 36" x 24"    |
| V40-3636-FB  | 42-3/8" x 36-7/16" | 36" x 36"    |
| V40-3648-FB  | 42-3/8" x 48-7/16" | 36" x 48"    |
| V40-3660-FB  | 42-3/8" x 60-7/16" | 36" x 60"    |
| V40-3672-FB  | 42-3/8" x 72-7/16" | 36" x 72"    |

\*Size indicated is for Radius profile.  
Contour profile adds 1-3/4" to Overall Height

**Visulex 40 Directory Sizes**

Height x width in inches

| Product Code | Overall Size*      | Columns | # of 30mm Message Strips |
|--------------|--------------------|---------|--------------------------|
| V301830      | 30-7/8" x 18-5/8"  | 2       | 38                       |
| V302730      | 30-7/8" x 27-9/16" | 3       | 57                       |
| V303630      | 30-7/8" x 36-1/2"  | 4       | 76                       |
| V305430      | 30-7/8" x 54-3/8"  | 6       | 114                      |
| V411830      | 41-1/2" x 18-5/8"  | 2       | 56                       |
| V412730      | 41-1/2" x 27-9/16" | 3       | 84                       |
| V413630      | 41-1/2" x 36-1/2"  | 4       | 112                      |
| V415430      | 41-1/2" x 54-3/8"  | 6       | 168                      |

Custom Insert Configurations and Sizes Available Upon Special Order

\*Size indicated is for Radius profile.  
Contour profile adds 1-3/4" to Overall Height