

SignPoint Maximizes Design Options with a Strong, Adaptable System Based on a Traditional, Time-Tested Concept.

SignPoint®

Multi-Directional Sign System



1. Radius Blade w/ Square Tail & Custom Crown Detail. 2. Radius Blades w/ Radius Tails & Crown Detail. 3. Radius Blades w/ Dome Post Cap. 4. Custom Panel Shape w/ PSV Letters & Digitally Printed Logo Graphics. 5. 12x12" Panel w/ 12x3" Tail Piece & Dome Post Cap. 6. Chevron Blades w/ Radius Tails, Aluminum Stop Sign & Mounting Foot Cover Plate. 7. 24" Panels w/ 8" Crown & Steel Post.

Fingerpoint signs are one of the oldest and most understandable forms of directional signs. In today's complex environments, this simple concept provides one of the best solutions for vehicular and pedestrian traffic.

Other Features & Benefits

- Easy to install and modify
- Three (3) standard directional blade shapes offered in two (2) standard heights and lengths at 1/4" thick
- Aluminum panels precision cut w/ waterjet technology
- Decorative crown panel shapes, post caps, and rings
- Broad range of colors & finishes
- Can be used in interior applications as well
- Environmentally friendly: recyclable aluminum components

Applications

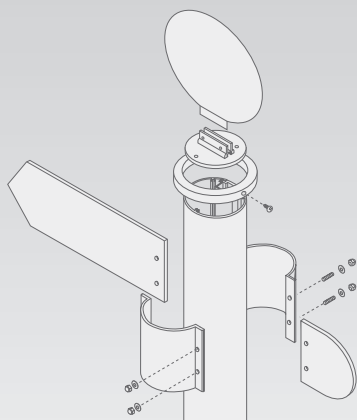
- Parking Lot Directionals
- Parking Lot Row Identification
- Street Names at Intersections
- Guide pedestrians and vehicles through multi-building campuses

Ideal for

Universities, Office Parks, Medical Centers, Multi-Winged Facilities, Malls, Shopping Centers, Nature Preserves, Zoos, Municipalities & more...



Exploded View



Crown Panels

- 250mm/10" Round
- 250mm/10" Square
- 250mm/10" Fan
- 250mm/10" Triangular

Blades

- Radius Directional Blade
- Chevron Directional Blade
- Square Directional Blade
- Graphics Panels

Post Shape

- 100mm/4" Circular
- Cover Plate Escutcheon
- Decorative Escutcheon

Post Caps / Decorative Rings

- Dome
- Flat Circular
- Flat Circular w/Crown Slot
- Decorative Circular Ring