

The original modular sign system, **IM/SignMatch** is a system of injection molded holders and interchangeable sign inserts that always match and fit. With over 95 components and unlimited imprint and graphic options, the system is extremely easy to order, install, and maintain.

Other Features & Benefits

- Molded of durable automotive grade plastic that is resistant to fading and chipping
- Holders and inserts in five standard colors
- Plastic inserts available with unlimited graphics colors
- Clear lens cover available for paper insert option
- Radius & square corner options
- Square & bevel edge shapes
- Available in a variety of standard sizes
- Multiple mounting methods
- ADA Compliant

Applications

- Room Identification
- Personnel/Cubicle Signs
- Evacuation Plans
- Wall Projection Signs

Ideal For

- Banks/Financial Institutions
- Corporate/Office Facilities
- Hospitals
- Schools & Universities
- Libraries

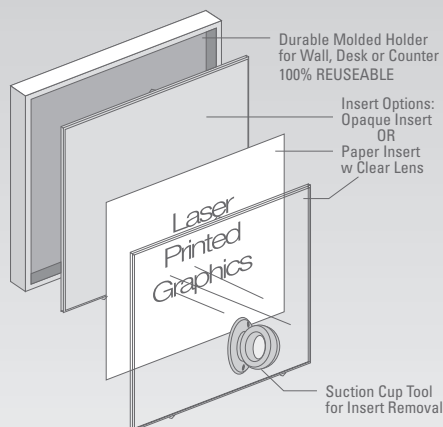


Create Paper Inserts In-House with SignWord Pro Software! Download it free @ apcosigns.com.

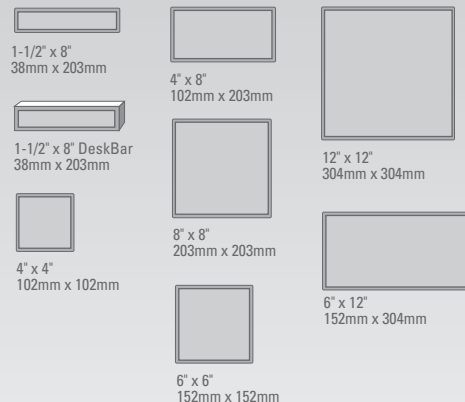


1. 4"x8" with Applied Digitally Output Graphics. 2. 12"x12" with Applied Digitally Output Graphics. 3. 4" x 8" with Applied ADA Band. 4. 12"x6" with Silkscreen Printed Graphics & Applied ADA Band. 5. 12"x12" Emergency Plan with Paper Map Insert. 6. Desk Sign with Radius Corners. 7. 1-1/2" x 8" with Clear Lens, Paper Insert & Panel Clip Attachment. 8. 8"x8" 3-Window Sign with Attached Notifier Message Strip.

Holder & Insert Options



Standard Holders



Corner Shapes

Front View



Radius



Square

Edge Shapes

Profile View



Square



Bevel