



1



2



3

1. Series HPS Wall Mount with Facial Tissues, Mask, and (2) Hand Wipe Dispensers. 2. Series HPS 2-Sided Stanchion Mount with Custom Wood Laminate on FacePlate. 3. Series HPC Custom Client-Designed Dispenser on Arcadia Kiosk with Information Display.

HealthView is a unique modular system for dispensing standard infection control products such as wipes, tissues and masks, and for displaying important health-related information. HealthView encourages the use of protective products by providing a convenient, central location with simple, one-hand, quick-pull dispensing.

Available in a broad range of configurations for both wall and stand-alone mounting, HealthView is tamper resistant, yet easy to refill. Custom configurations for dispensing products of your choice are easily created with this distinctive product.

HealthView helps you comply with OSHA guidelines in schools, medical facilities, offices, restaurants, and virtually any public place where reducing the risk of cross contamination is of principal concern.

**Other Features & Benefits**

- Dispenser contents and configurations are customizable to suit client's specific needs\*
- Faceplate (Series HPS) and Top Plate (Series HPC) are tamper resistant, ensuring security of dispenser contents
- Contents are easy to change/refill.
- Standard HealthView Series HPS is aesthetically compatible with APCO's MyDay Display System.
- Curved HealthView Series HPC is aesthetically compatible with APCO's Arcadia Sign System
- Range of mounting and decorative options provide solutions for virtually any budget

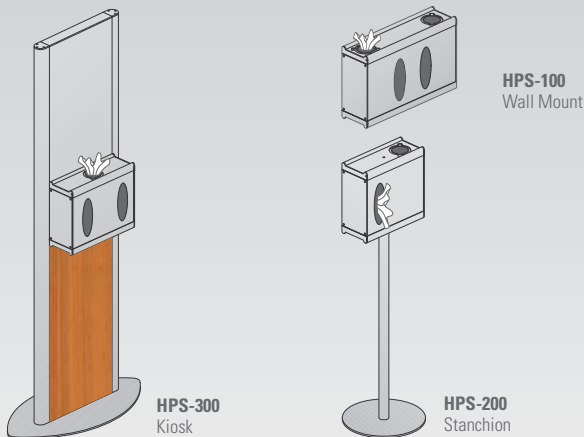
\* HealthView dispenser modules are constructed of pre-engineered, modular components and designed to house certain brands and sizes of popular hygiene control products. Module contents are thus customizable within certain parameters.

**Ideal For**

Hospitals & Medical Clinics, Patient Rooms, Office Buildings, Convention Centers, Hotel Lobbies, Retail Environments, Airports & Train Stations, Food Stores

Patents Applied For

**Series HPS**



**Series HPC**

